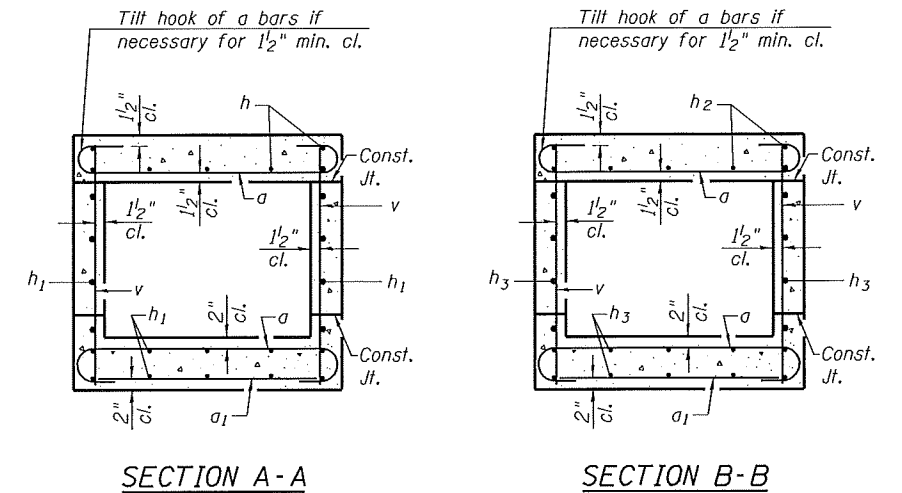


LEFT EXTENSION

RIGHT EXTENSION

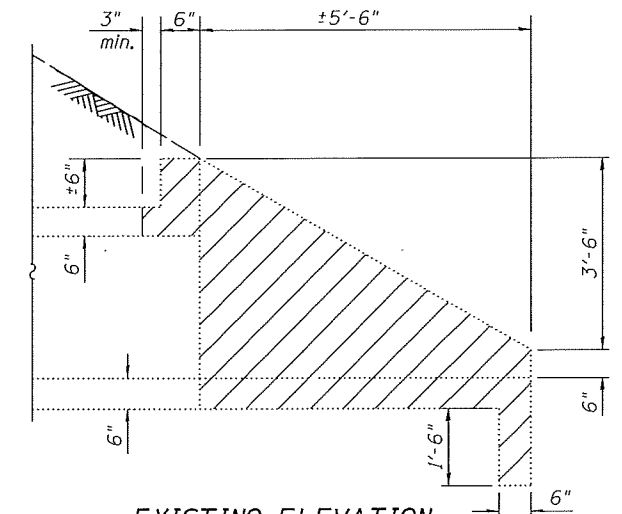
TOP SLAB PLAN
SHOWING REINFORCEMENT

(v, v₁, h₆, h₇, & h₈ bars not shown for clarity)



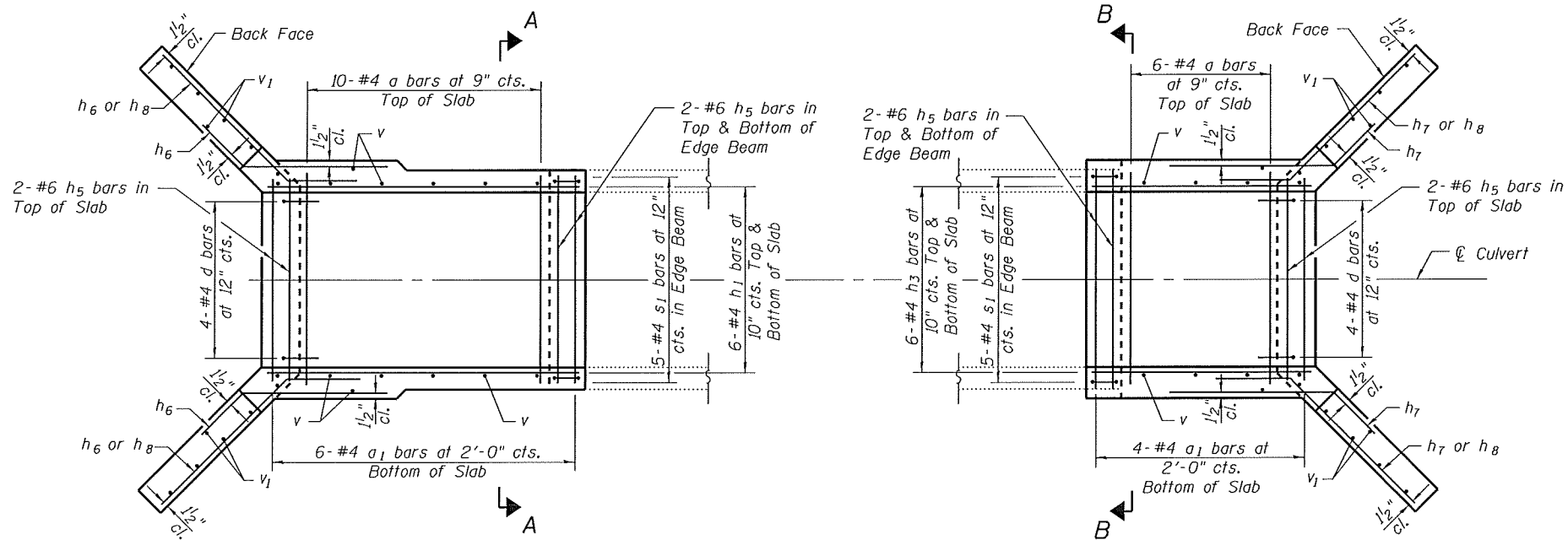
SECTION A-A

SECTION B-B



EXISTING ELEVATION

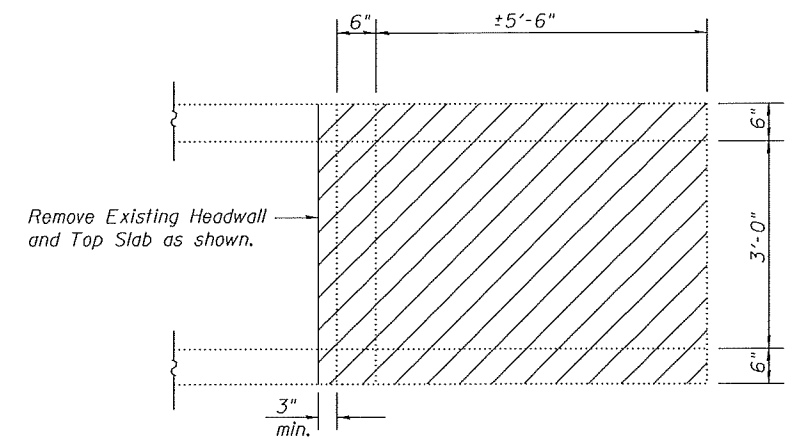
(Typical at Both Ends of Existing Culvert)



LEFT EXTENSION

RIGHT EXTENSION

BOTTOM SLAB PLAN
SHOWING REINFORCEMENT



EXISTING PLAN

(Typical at both ends of Existing Culvert)

Notes:
For Elevation, Bar Bends and Total Bill of Material see sheet 3 of 3.

Indicates Limits of Concrete Removal

FILE NAME = 370+51.35-76789-002.dgn



USER NAME = jdirkelmann
Illinois Design Firm Number 184.001670
PLOT SCALE =
PLOT DATE = 8/8/2014

DESIGNED - JD
CHECKED - BB
DRAWN - WS
CHECKED - CJF

REVISED -
REVISED -
REVISED -
REVISED -

STATE OF ILLINOIS
DEPARTMENT OF TRANSPORTATION

BOX CULVERT EXTENSION DETAILS
STATION 370+51.35

SHEET NO. 2 OF 3 SHEETS

| F.A.S. RTE. | SECTION | COUNTY | TOTAL SHEETS | SHEET NO. |
|--------------------|-----------|--------|--------------|-----------|
| 752 | 101-2RS-1 | JERSEY | 438 | 255 |
| CONTRACT NO. 76789 | | | | |

ILLINOIS FED. AID PROJECT