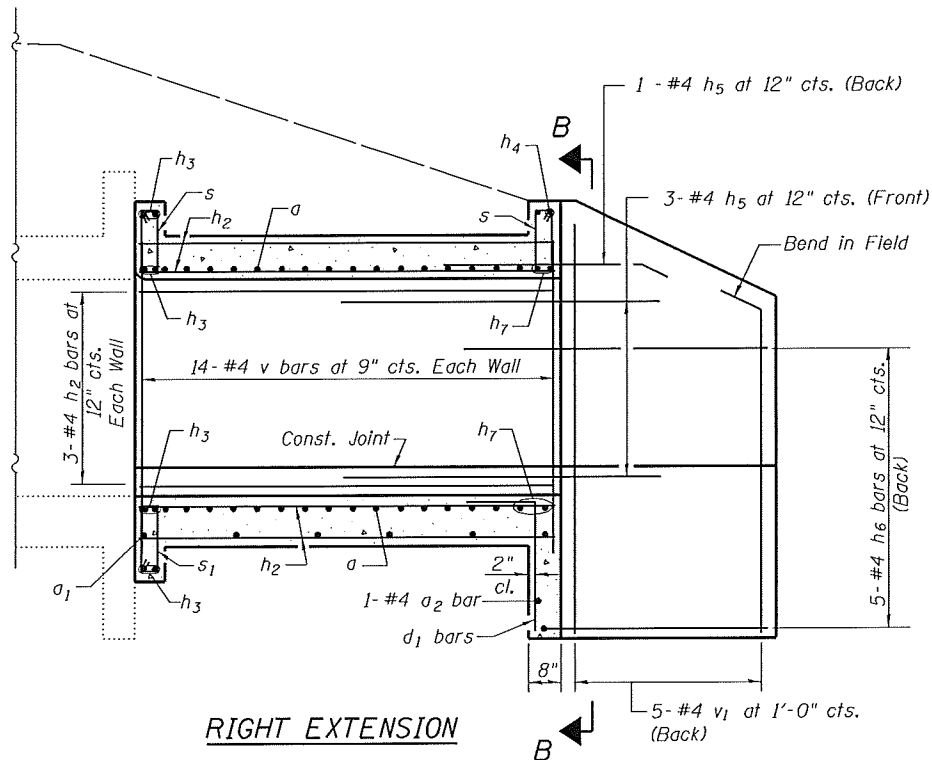
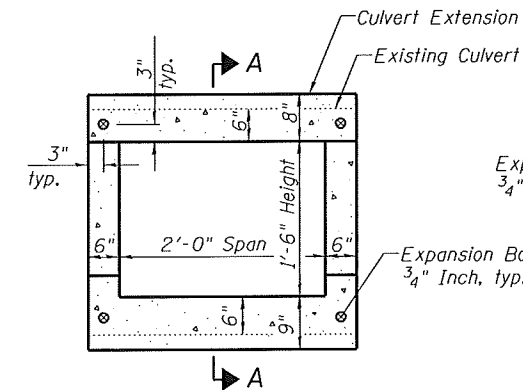


LEFT EXTENSION



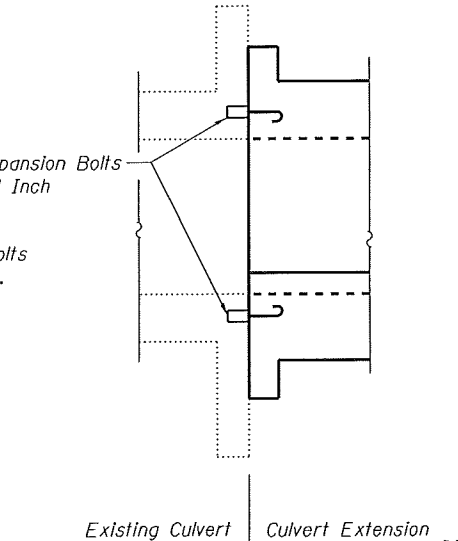
RIGHT EXTENSION

ELEVATION

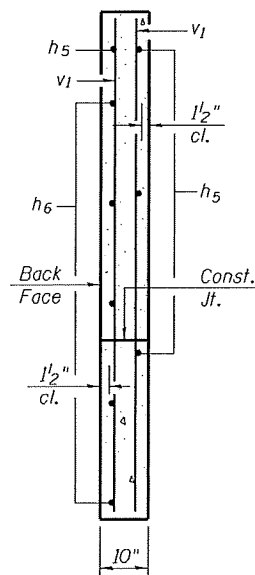


Note - Expansion Bolts shall be 3/4" hooked bolts. Hooked bolts shall extend a minimum of 9" into the new concrete

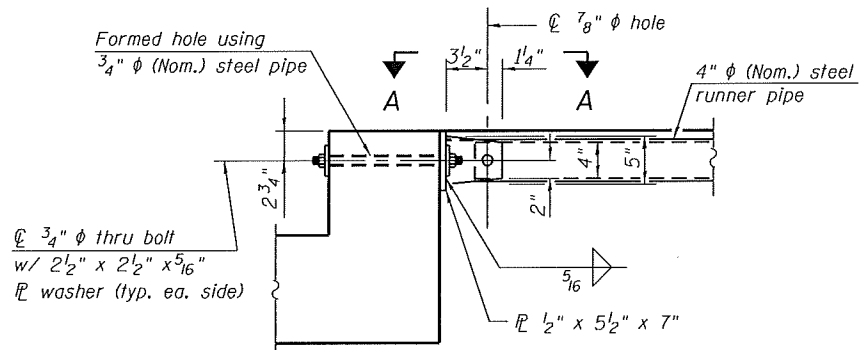
EXPANSION BOLT LAYOUT



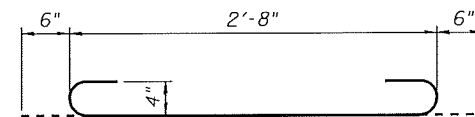
SECTION A-A



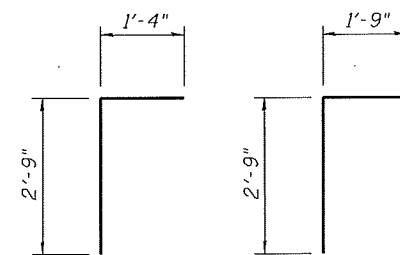
SECTION B-B



DETAIL A

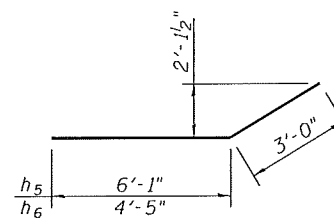


BAR a

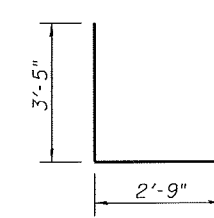


BAR d

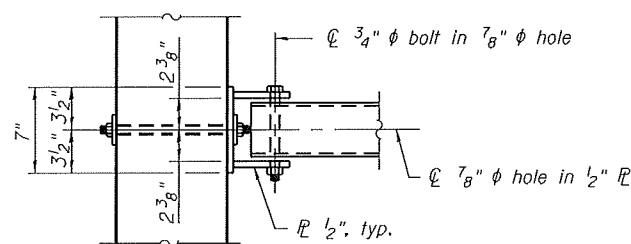
BAR d1



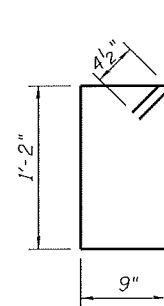
BARS h5 & h6



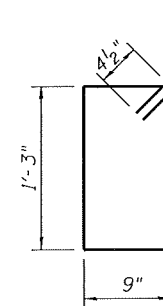
BAR u



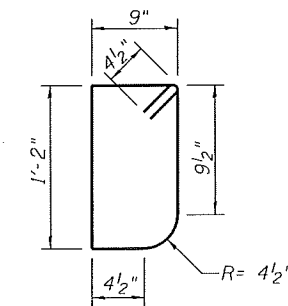
VIEW A-A



BAR s



BAR s1



BAR s2

TOTAL BILL OF MATERIAL

Bar	No.	Size	Length	Shape
a	38	#4	3'-8"	U
a1	13	#4	2'-8"	U
a2	1	#4	2'-10"	U
d	16	#4	4'-1"	L
d1	3	#4	4'-6"	L
h	9	#4	8'-3"	U
h1	16	#4	11'-5"	U
h2	25	#4	9'-8"	U
h3	20	#6	2'-9"	U
h4	2	#6	2'-3"	U
h5	8	#4	9'-1"	U
h6	10	#4	7'-5"	U
h7	4	#6	3'-1"	U
s	12	#4	4'-7"	U
s1	8	#4	4'-9"	U
s2	4	#4	4'-5"	U
u	4	#4	9'-7"	L
v	56	#4	2'-7"	U
v1	12	#4	5'-7"	U
Concrete Box Culverts			Cu. Yd.	7.0
Reinforcement Bars			Pound	960
Expansion Bolts 3/4 Inch			Each	8
Traversable Pipe Grate			Foot	3

FILE NAME = 290-69.78-767891-003.dgn



USER NAME = jdrinkelmann
 Illinois Design Firm Number 184,001670
 PLOT SCALE =
 PLOT DATE = 8/8/2014

DESIGNED - JD
 CHECKED - BB
 DRAWN - WS
 CHECKED - CJF

REVISED -
 REVISED -
 REVISED -
 REVISED -

STATE OF ILLINOIS
 DEPARTMENT OF TRANSPORTATION

BOX CULVERT EXTENSION DETAILS
 STATION 290 + 69.78

SHEET NO. 3 OF 3 SHEETS

F.A.S. RTE.	SECTION	COUNTY	TOTAL SHEETS	SHEET NO.
752	101-2RS-1	JERSEY	438	229

CONTRACT NO. 76789
 ILLINOIS FED. AID PROJECT