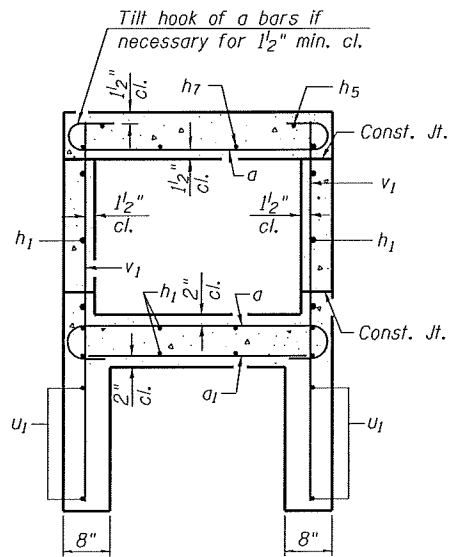
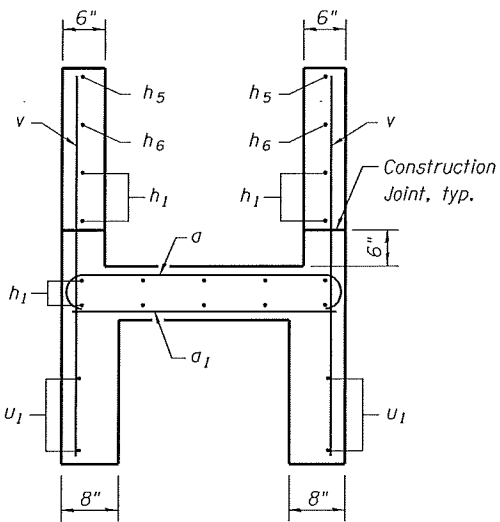


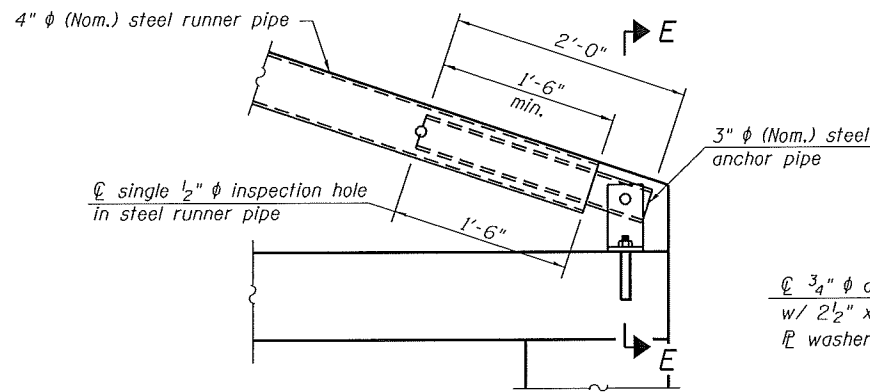
SECTION A-A



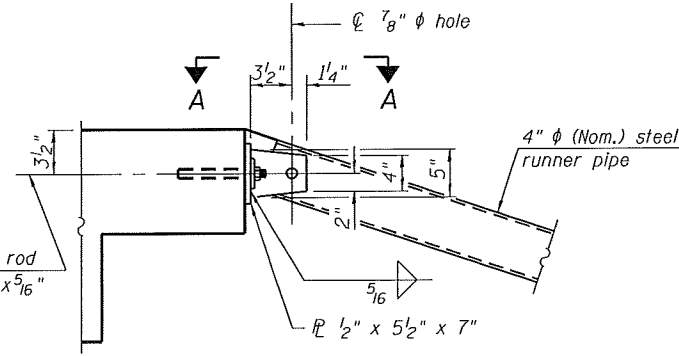
SECTION E-E



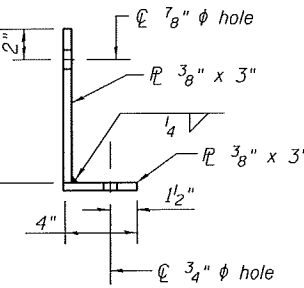
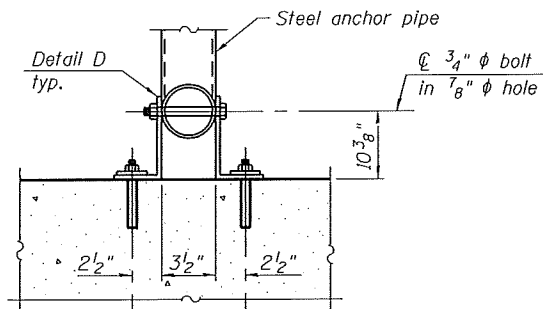
SECTION B-B



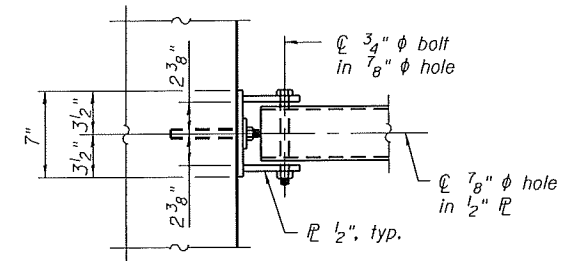
DETAIL A



DETAIL B



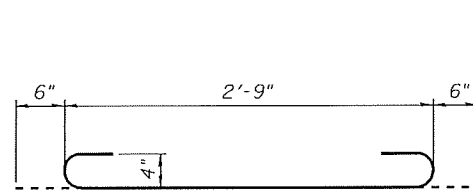
DETAIL D



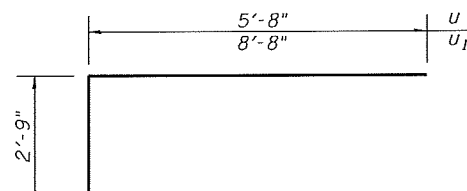
VIEW A-A

3/4" hole in PL for 5/8" anchor rods w/ 2 1/2" x 2 1/2" x 5/16" PL washer

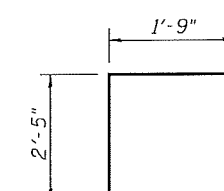
SECTION F-F



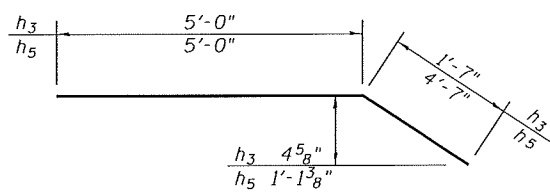
BAR a



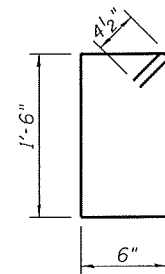
BARS u & u1



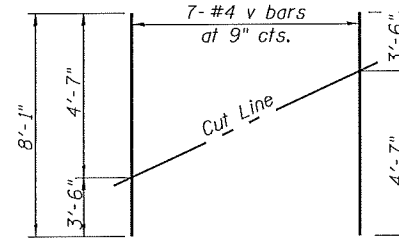
BAR d



BARS h3 & h5



BAR s



FIELD CUTTING DIAGRAM

Order v bars full length. Cut as shown and use remainder of bars in opposite wall.

TOTAL BILL OF MATERIAL

Bar	No.	Size	Length	Shape
a	41	#4	3'-9"	
a1	12	#4	2'-9"	
d	6	#4	4'-2"	
h	14	#4	5'-9"	
h1	14	#4	8'-9"	
h2	6	#6	2'-9"	
h3	2	#4	6'-7"	
h4	2	#4	3'-10"	
h5	2	#4	9'-7"	
h6	2	#4	6'-6"	
h7	8	#4	4'-6"	
s	3	#4	4'-9"	
u	2	#4	14'-1"	
u1	2	#4	20'-1"	
v	14	#4	8'-1"	
v1	16	#4	4'-8"	
Concrete Removal			Cu. Yd.	1.2
Reinforcement Bars			Pound	550
Expansion Bolts 3/4 Inch			Each	8
Concrete Box Culverts			Cu. Yd.	4.4
Traversable Pipe Grate			Foot	10

FILE NAME = 275+57.76-76789-003.dgn



USER NAME = jdrinkeImann
 Illinois Design Firm Number 104.001670
 PLOT SCALE =
 PLOT DATE = 8/8/2014

DESIGNED - JD
 CHECKED - BB
 DRAWN - WS
 CHECKED - CJF

REVISED -
 REVISED -
 REVISED -
 REVISED -

STATE OF ILLINOIS
 DEPARTMENT OF TRANSPORTATION

BOX CULVERT EXTENSION DETAILS
 STATION 275 + 57.76

SHEET NO. 3 OF 3 SHEETS

F.A.S. RTE.	SECTION	COUNTY	TOTAL SHEETS	SHEET NO.
752	101-2RS-1	JERSEY	438	226

CONTRACT NO. 76789
 ILLINOIS FED. AID PROJECT