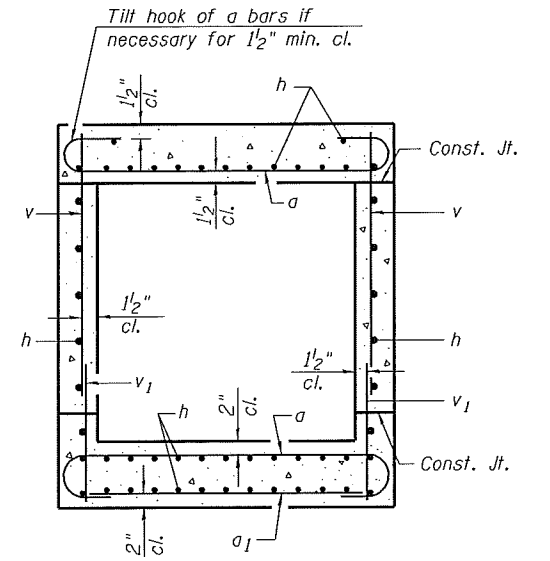
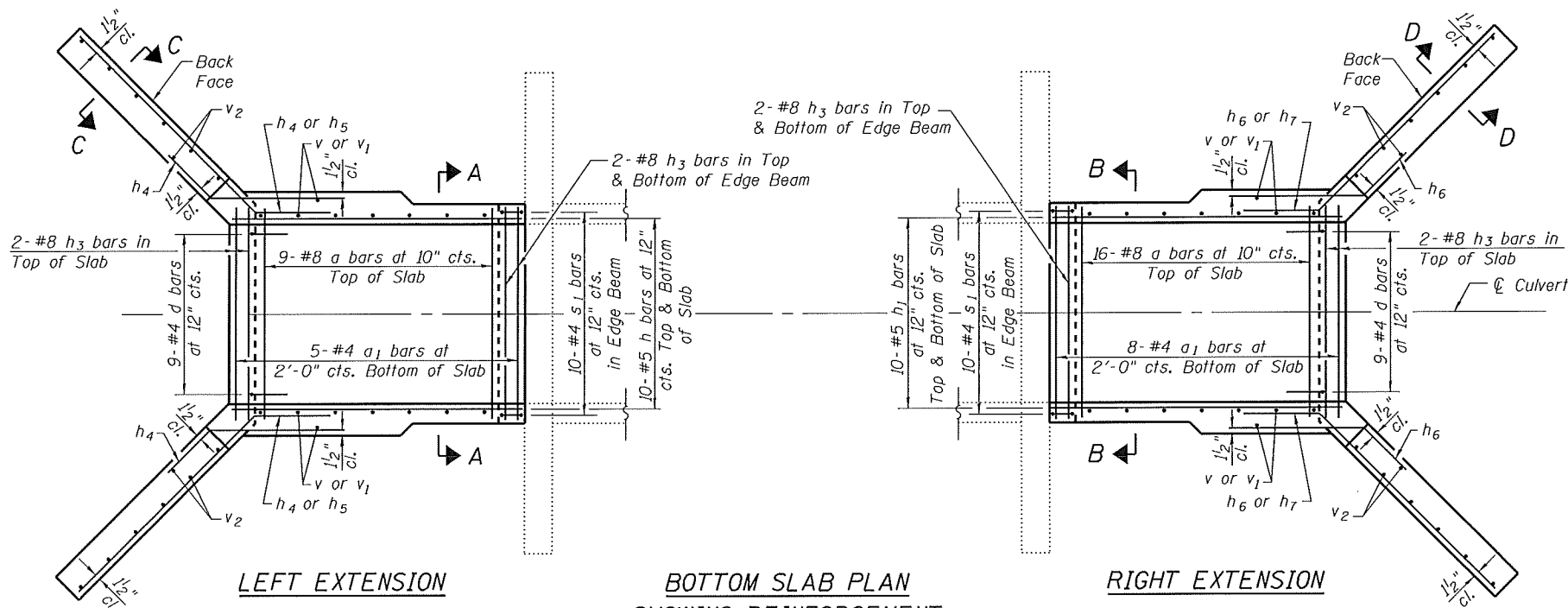


TOP SLAB PLAN
SHOWING REINFORCEMENT

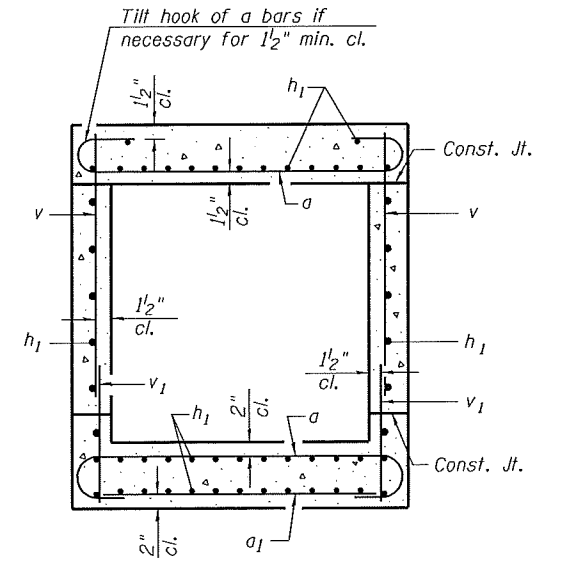
(v, v1, v2, h4, h5, h6 & h7 bars not shown for clarity)



SECTION A-A



BOTTOM SLAB PLAN
SHOWING REINFORCEMENT



SECTION B-B

Notes:
For Section C-C see sheet 3 of 4.
For Section D-D see sheet 3 of 4.
For Bar Bends and Total Bill of Material see sheet 3 of 4.

FILE NAME = 217-14-95-76789-002.dgn



USER NAME = jclinkelmann
Illinois Design Firm Number 184.001670
PLOT SCALE =
PLOT DATE = 8/8/2014

DESIGNED - JD
CHECKED - BB
DRAWN - WS
CHECKED - CJF

REVISED -
REVISED -
REVISED -
REVISED -

STATE OF ILLINOIS
DEPARTMENT OF TRANSPORTATION

BOX CULVERT EXTENSION DETAILS
STRUCTURE NUMBER 042-2471

SHEET NO. 2 OF 4 SHEETS

F.A.S. RTE.	SECTION	COUNTY	TOTAL SHEETS	SHEET NO.
752	101-2RS-1	JERSEY	438	215
CONTRACT NO. 76789				
ILLINOIS FED. AID PROJECT				