

ELEVATION

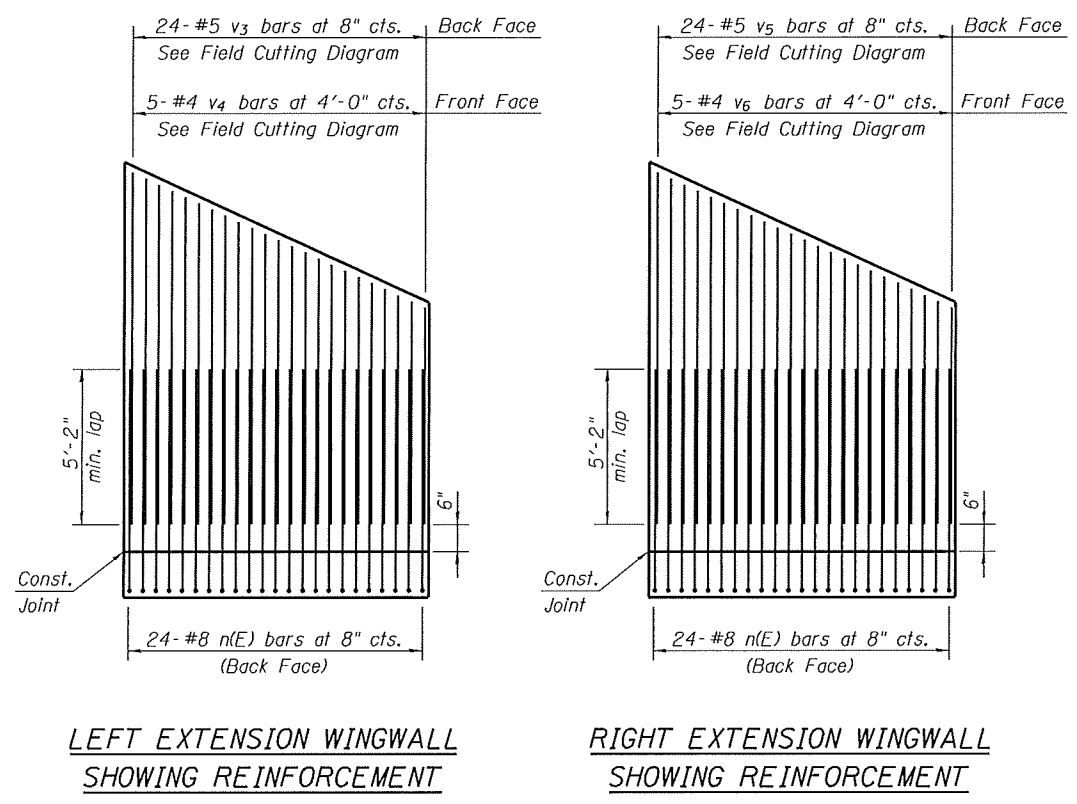
SECTION C-C

SECTION D-D

**MINIMUM BAR LAP**  
 (Per Sidewall Reinforcement)  
 #8 bar = 3'-8"

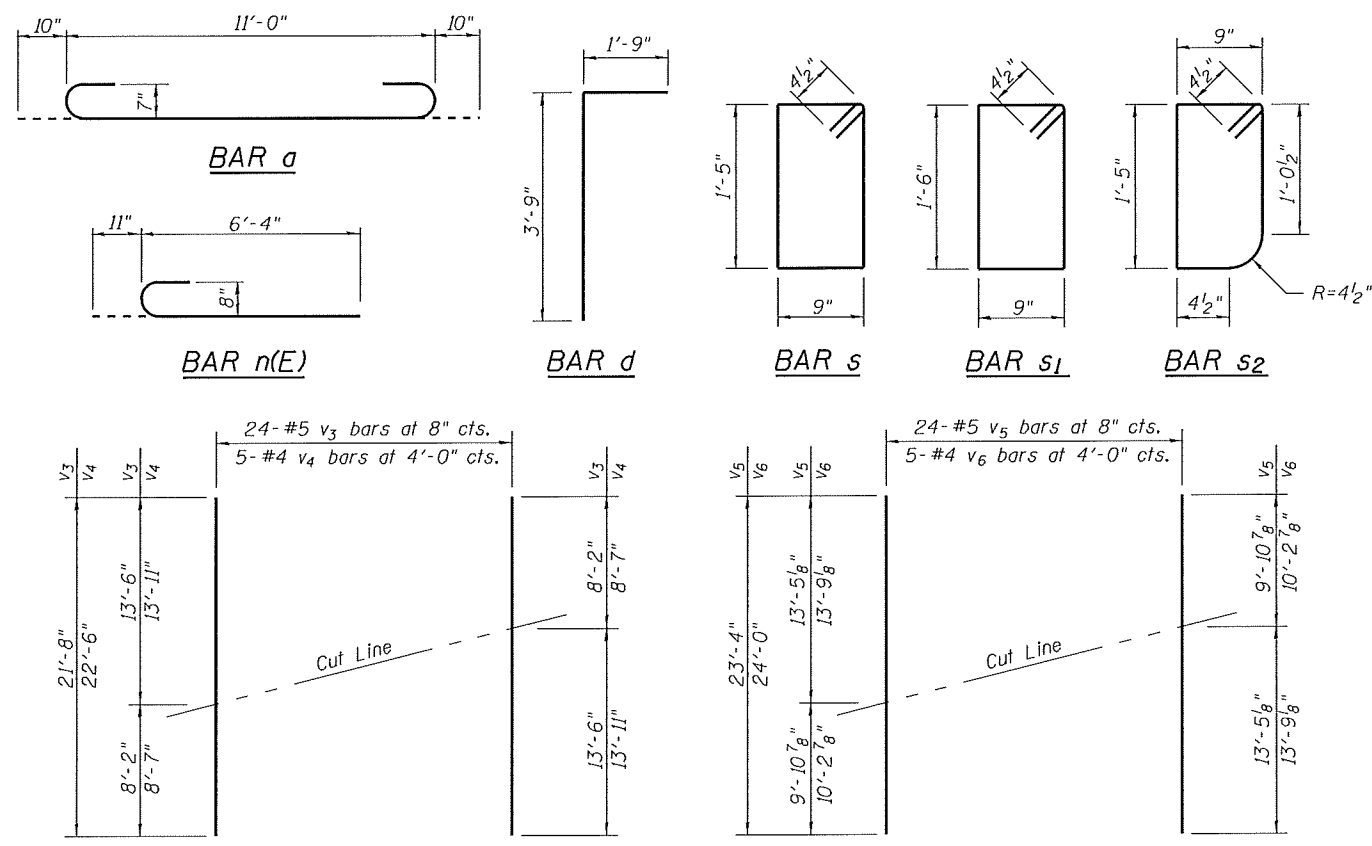
TOTAL BILL OF MATERIAL

Bar	No.	Size	Length	Shape
a	76	#7	12'-8"	
a1	15	#4	11'-0"	
d	66	#4	5'-6"	
h	75	#5	7'-8"	
h1	28	#4	14'-9"	
h2	18	#4	15'-8"	
h3	24	#7	11'-0"	
h4	34	#4	15'-0"	
h5	12	#4	13'-2"	
h6	25	#5	13'-8"	
h7	50	#5	12'-11"	
n(E)	96	#8	7'-3"	
s	24	#4	5'-1"	
s1	24	#4	5'-3"	
s2	12	#4	4'-11"	
t	124	#8	12'-8"	
t1	96	#4	12'-8"	
v	78	#8	10'-2"	
v1	78	#8	5'-2"	
v2	8	#8	15'-4"	
v3	24	#5	21'-8"	
v4	5	#4	22'-6"	
v5	24	#5	23'-4"	
v6	5	#4	24'-0"	
w	40	#5	14'-8"	
w1	40	#5	14'-11"	
Concrete Removal			Cu. Yd.	26.9
Rock Excavation for Structures			Cu. Yd.	137.0
Reinforcement Bars			Pound	16,650
Reinforcement Bars, Epoxy Coated			Pound	1860
Expansion Bolts 3/4 Inch			Each	56
Concrete Box Culverts			Cu. Yd.	121.7
Epoxy Crack Injection			Foot	16



LEFT EXTENSION WINGWALL SHOWING REINFORCEMENT

RIGHT EXTENSION WINGWALL SHOWING REINFORCEMENT



FIELD CUTTING DIAGRAM (v3 & v4 bars)

FIELD CUTTING DIAGRAM (v5 & v6 bars)

Notes:  
 Order v3 thru v6 bars full length. Cut as shown.  
 Use remainder of bar in opposite Wingwall.

FILE NAME = 174\*7319-76789-003.dgn



USER NAME = jdrinkeimann  
 Illinois Design Firm Number 184.001670  
 PLOT SCALE =  
 PLOT DATE = 8/8/2014

DESIGNED - JD  
 CHECKED - BB  
 DRAWN - WS  
 CHECKED - CJF

REVISED -  
 REVISED -  
 REVISED -  
 REVISED -

STATE OF ILLINOIS  
 DEPARTMENT OF TRANSPORTATION

BOX CULVERT EXTENSION DETAILS  
 STRUCTURE NUMBER 042-2470  
 SHEET NO. 3 OF 4 SHEETS

F.A.S. RTE.	SECTION	COUNTY	TOTAL SHEETS	SHEET NO.
752	101-2RS-1	JERSEY	438	209

CONTRACT NO. 76789  
 ILLINOIS FED. AID PROJECT