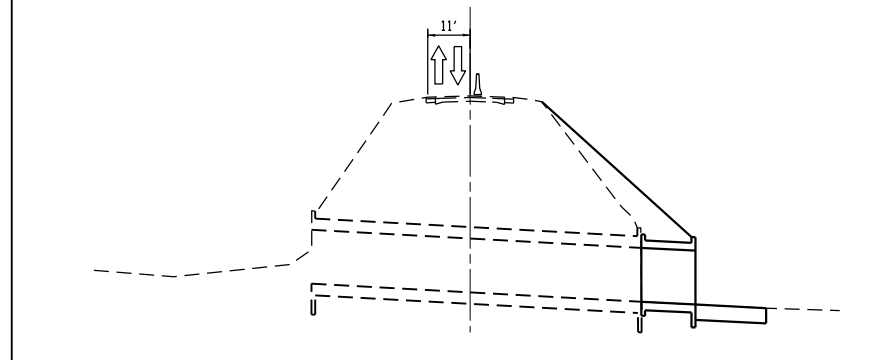
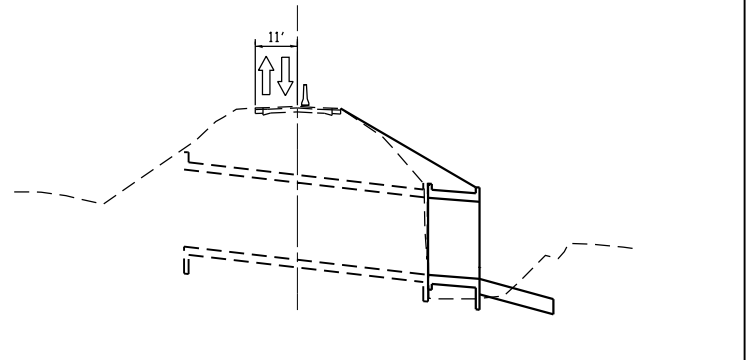


NOTES:
TEMPORARY CONCRETE BARRIER 337.5 FOOT

NOTES:
TEMPORARY CONCRETE BARRIER 337.5 FOOT

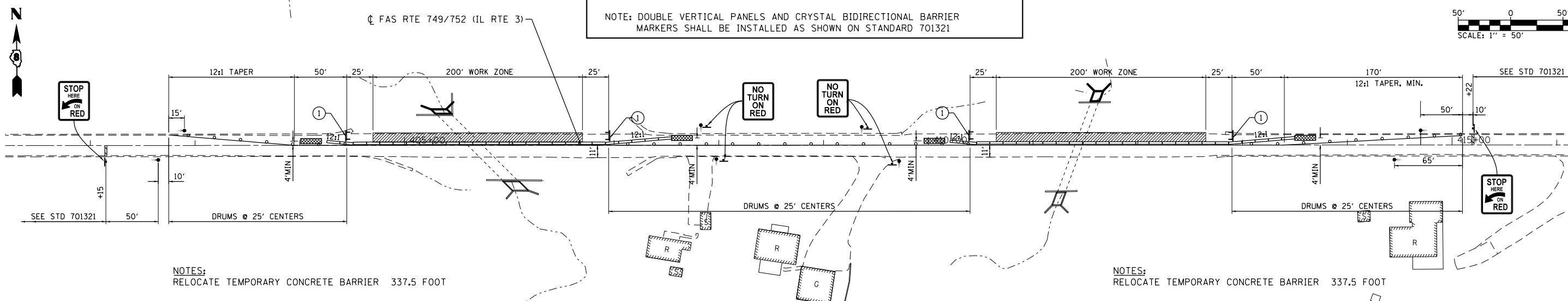
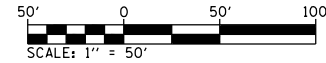


STAGE 1

LEGEND

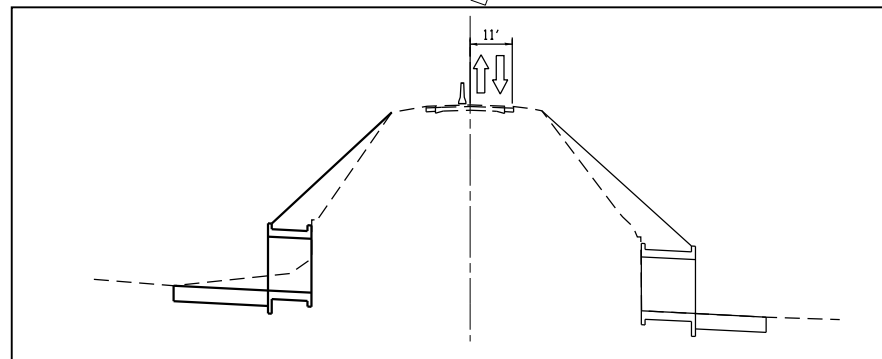
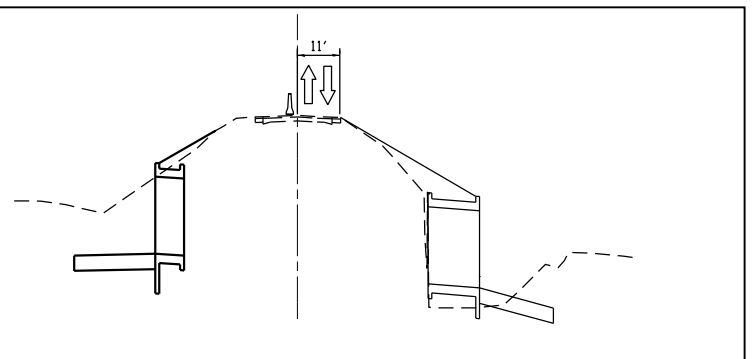
- WORK AREA
- TEMPORARY CONSTRUCTION
- SIGN
- TYPE III BARRICADE
- TRAFFIC SIGNAL
- IMPACT ATTENUATOR
- TYPE III BARRICADE TO BE PLACED WHEN NO WORK IS BEING PERFORMED
- TEMPORARY CONCRETE BARRIER
- DRUM WITH STEADY BURNING BI-DIRECTIONAL LIGHT AND 4" TEMPORARY PAVEMENT MARKING

NOTE: DOUBLE VERTICAL PANELS AND CRYSTAL BIDIRECTIONAL BARRIER MARKERS SHALL BE INSTALLED AS SHOWN ON STANDARD 701321



NOTES:
RELOCATE TEMPORARY CONCRETE BARRIER 337.5 FOOT

NOTES:
RELOCATE TEMPORARY CONCRETE BARRIER 337.5 FOOT



STAGE 2

FILE NAME = S:\Projects\085-0028-VH-IL-3-Culvert\staging\CAD\Drawings\0850028-VH-IL-3-Culvert-staging.dgn



USER NAME = ljackson	DESIGNED - ACM	REVISED -
MODEL NAME = CULVERTS 28 AND 29	DRAWN - EDW	REVISED -
PLOT SCALE = 99.9998' / in.	CHECKED - LWJ	REVISED -
PLOT DATE = 8/22/2014	DATE - 8-11-14	REVISED -

**STATE OF ILLINOIS
DEPARTMENT OF TRANSPORTATION**

STAGING AND TRAFFIC CONTROL PLAN
CULVERT # 28 & 29 - STA 405+67.37 & STA 411+43.66
SCALE: 1"=50' SHEET 12 OF 17 SHEETS STA. 401+00 TO STA. 416+00

F.A.S. RTE.	SECTION	COUNTY	TOTAL SHEETS	SHEET NO.
749/752	101-2RS-1	JERSEY	438	102
ILLINOIS FED. AID PROJECT			CONTRACT NO. 76789	