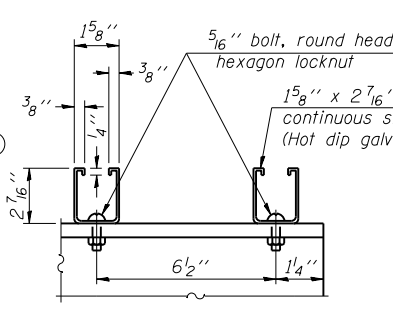
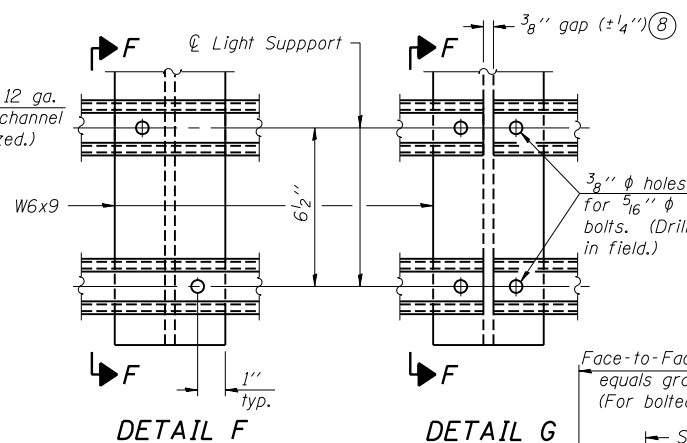


SIDE ELEVATION DETAIL D HANDRAIL FRONT ELEVATION

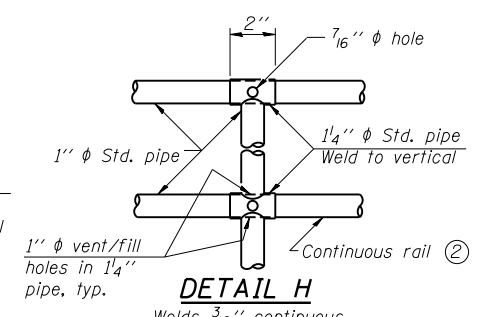


SECTION F-F LIGHTING FIXTURE MOUNTS (If required)

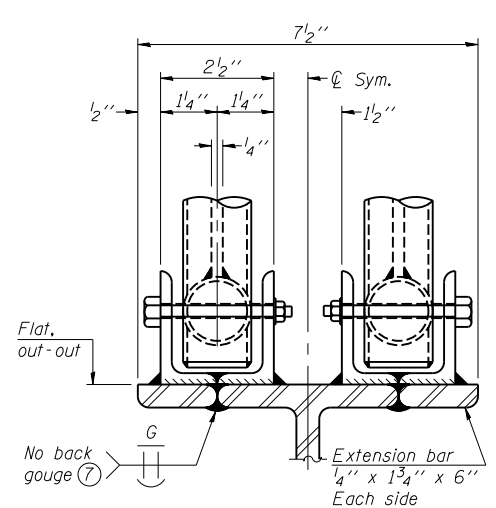


DETAIL F

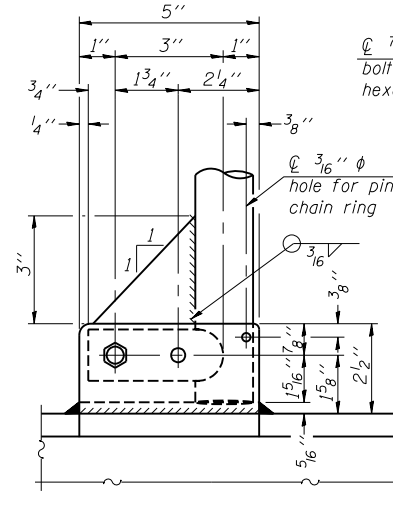
DETAIL G



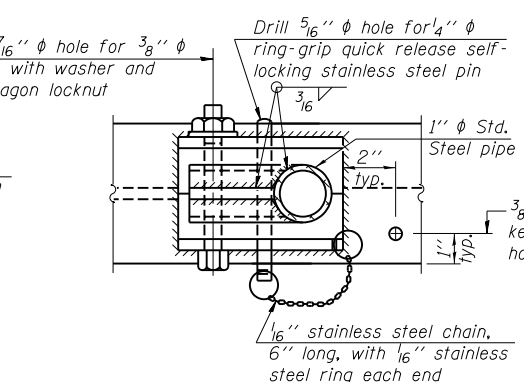
DETAIL H



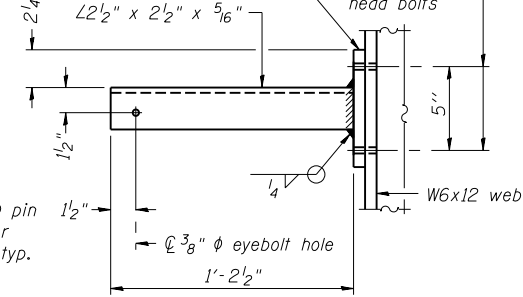
ELEVATION AT HANDRAIL JOINT (Details not shown same as "FRONT ELEVATION")



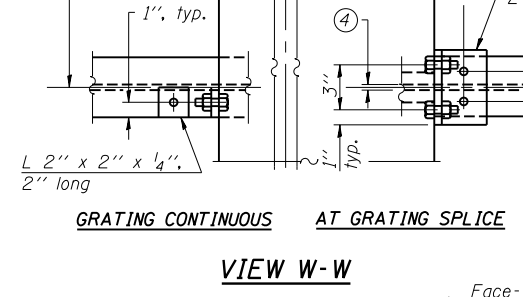
SIDE ELEVATION



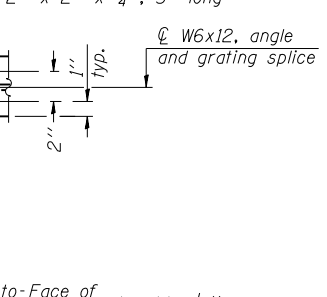
PLAN AT SINGLE HANDRAIL HINGE DETAIL E



SECTION P-P

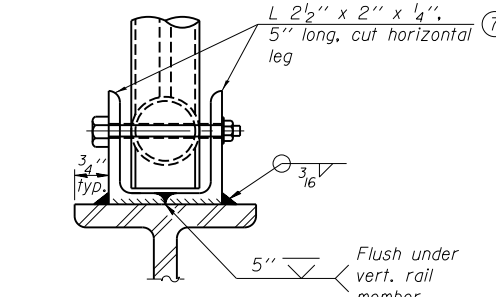


VIEW W-W GRATING CONTINUOUS AT GRATING SPLICE

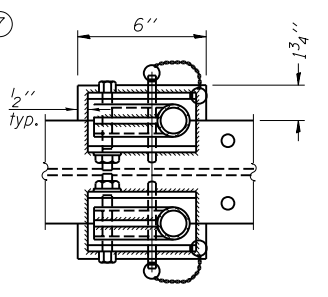


VIEW W-W

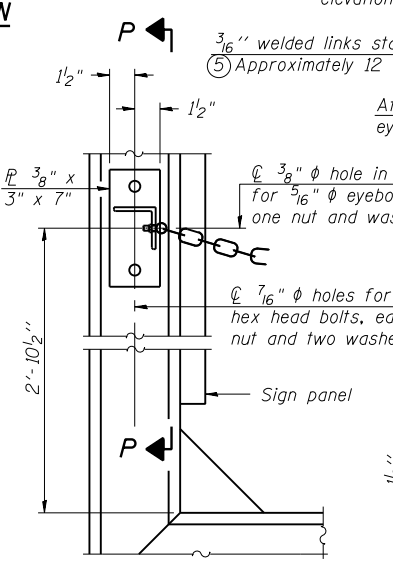
PLAN



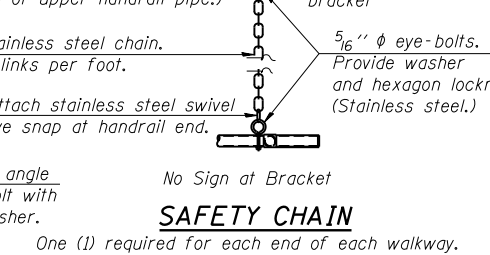
FRONT ELEVATION (See above Elevations for dimensions.)



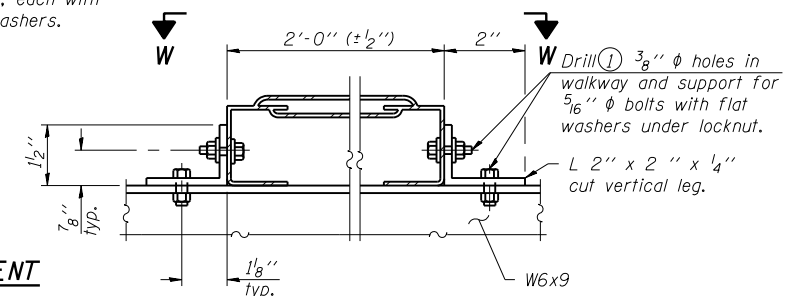
PLAN AT HANDRAIL JOINT (For Details, see Elevations.)



SAFETY CHAIN ATTACHMENT (With Sign Present)



SAFETY CHAIN



ALTERNATE FORMED PLANK GRATING DETAILS

Plank Grating: nominal depth = 2 1/2" (+1/2"); perforated or expanded steel sheet with a non-skid surface (non-serrated) concentrated load capacity = 500 lbs. with 6'-0" clear span.

- NOTES**
- Drilling holes in grating may be done in shop or field, based on Contractor's preference and subject to accurate alignment. Field drilled holes must be touched up with galvanized paint.
 - Horizontal rail member shall be continuous thru 1 1/4" phi pipe. Provide 7/16" phi hole in 1 1/4" phi pipe for 3/8" phi bolt. Field drill 7/16" phi hole in horizontal rail member. Provide washer and locknut for bolt. (Use 5/16" eyebolts in 7/16" phi holes on top rail at ends only.)
 - Install standard force-fit end caps or weld 1/8" end plates with 1/8" c.f.w. and grind smooth. (All rail ends.)
 - 3/8" (+1/4") gap between grating panels at splice.
 - Chain to be type 304L stainless steel suitable for prolonged exterior exposure. Approximately 3'-6" long chain per location. Maximum sag with handrail erected = 4".
 - 1/8" x 1/2" x 2" welded to handrail posts to protect locations that contact grating.
 - Extrusions may be used in lieu of details shown, with approval by Engineer.
 - Field cut ends of light support channels shall be free of burrs or hazardous projections and coated with zinc-rich primer or equivalent.

BM-4
6-1-12

WELDED BAR GRATING DETAILS

BRIDGE MOUNT SIGN STRUCTURES WALKWAY DETAILS

FILE NAME =	USER NAME = jauche	DESIGNED -	REVISED -	STATE OF ILLINOIS DEPARTMENT OF TRANSPORTATION	DETAIL EXISTING STEEL RAILING AND PROPOSED GUARDRAIL	F.A.I. RTE.	SECTION	COUNTY	TOTAL SHEETS	SHEET NO.
ca:\pw\work\p1dot\jauche\024954\0366827-shd-details.DGN		DRAWN -	REVISED -			80	(32-2) HBR-6	GRUNDY	98	78
PLOT SCALE = 800.0000' / in.		CHECKED -	REVISED -			CONTRACT NO. 66B27				
PLOT DATE = 8/13/2014		DATE -	REVISED -			ILLINOIS FED. AID PROJECT				
				SCALE:	SHEET NO. 78 OF 98 SHEETS	STA.	TO STA.			