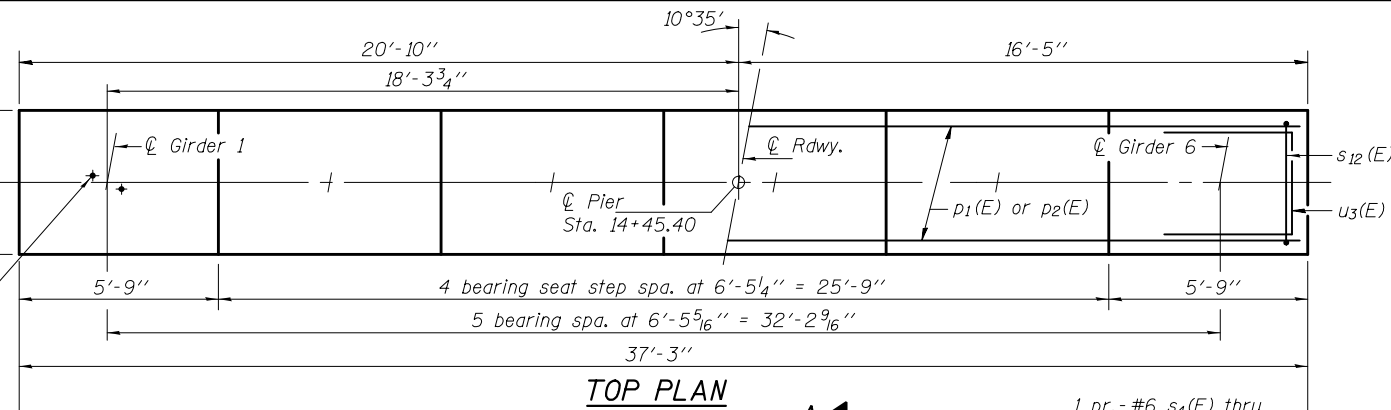


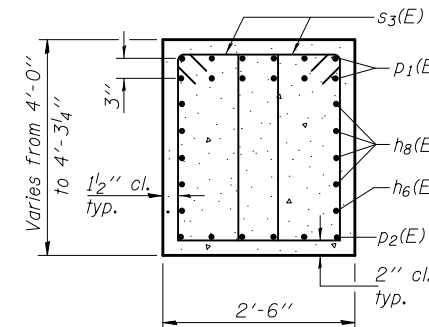
Notes:
 Space reinforcement in cap to miss anchor bolts.
 Pour steps monolithically with cap.
 For details of piles, see sheet 22 of 24.



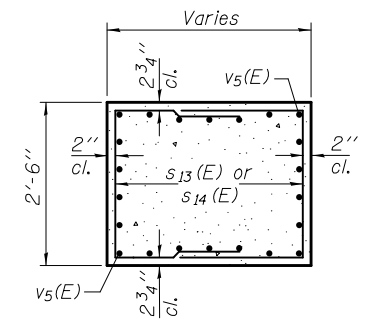
1/2" φ Anchor bolts, typ.
 See Detail A for location



TOP PLAN



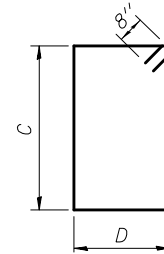
SECTION A-A



SECTION B-B

C & D DIMENSIONS

Bar	C	D
s3(E)	3'-8"	1'-6"
s4(E)	3'-7"	1'-6"
s5(E)	3'-6"	1'-6"
s6(E)	3'-5"	1'-6"
s7(E)	3'-3"	1'-6"
s8(E)	3'-2"	1'-6"
s9(E)	3'-0"	1'-6"
s10(E)	2'-11"	1'-6"
s11(E)	2'-10"	1'-6"
s12(E)	2'-8"	1'-6"



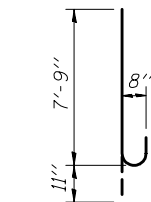
**BARS s3(E)
THRU s12(E)**

BILL OF MATERIAL

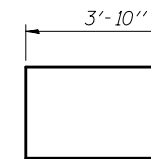
Bar	No.	Size	Length	Shape
h6(E)	2	#5	32'-5"	—
h7(E)	36	#5	19'-0"	—
h8(E)	8	#5	36'-11"	—
h9(E)	4	#6	19'-0"	—
n(E)	62	#8	8'-8"	C
p1(E)	12	#9	36'-11"	—
p2(E)	6	#9	22'-4"	—
p3(E)	12	#9	7'-4"	—
s3(E)	36	#6	11'-8"	□
s4(E)	4	#6	11'-6"	□
s5(E)	4	#6	11'-4"	□
s6(E)	4	#6	11'-2"	□
s7(E)	4	#6	10'-10"	□
s8(E)	4	#6	10'-8"	□
s9(E)	4	#6	10'-4"	□
s10(E)	4	#6	10'-2"	□
s11(E)	4	#6	10'-0"	□
s12(E)	4	#6	9'-8"	□
s13(E)	20	#5	8'-10"	□
s14(E)	16	#5	9'-6"	□
s15(E)	38	#5	14'-0"	□
s16(E)	13	#8	19'-11"	□
t(E)	37	#8	9'-8"	—
t1(E)	37	#4	9'-8"	—
u3(E)	6	#6	9'-9"	—
v5(E)	44	#8	21'-1"	—
w(E)	20	#8	35'-8"	—
w1(E)	10	#4	35'-8"	—
Concrete Structures		Cu. Yd.	75.5	
Reinforcement Bars, Epoxy Coated		Pound	13600	
Braced Excavation		Cu. Yd.	102	

MIN. BAR LAPS

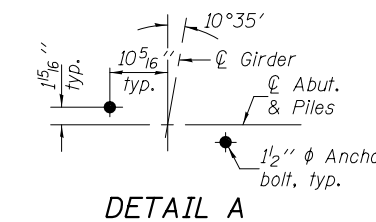
- #5 bar = 2'-11"
- #6 bar = 3'-1"
- #8 bar = 5'-5"



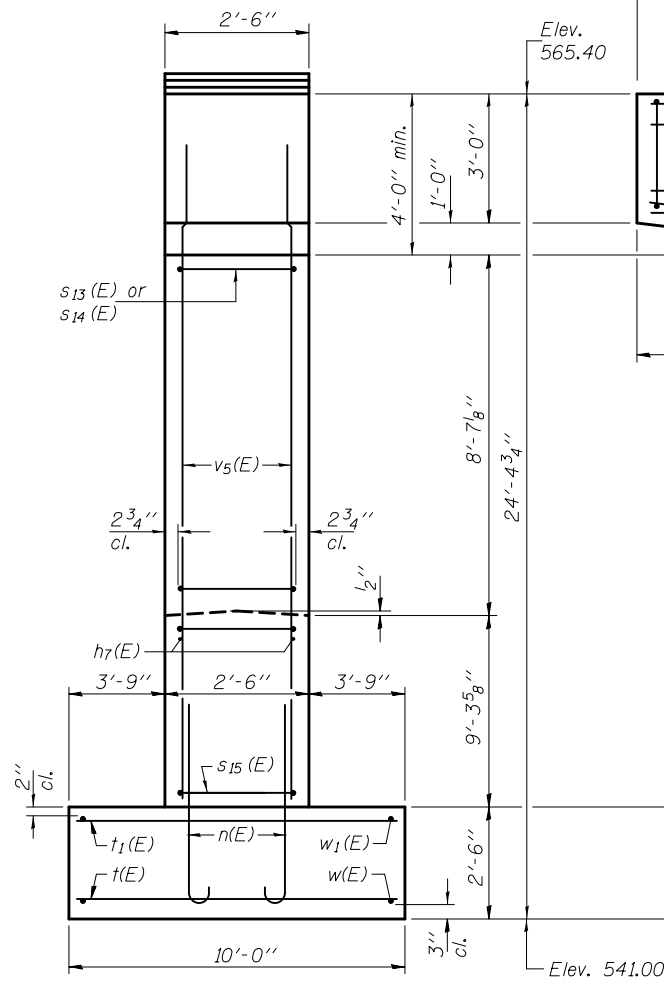
BAR n(E)



BAR u3(E)

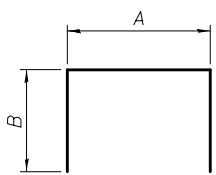


DETAIL A



END VIEW

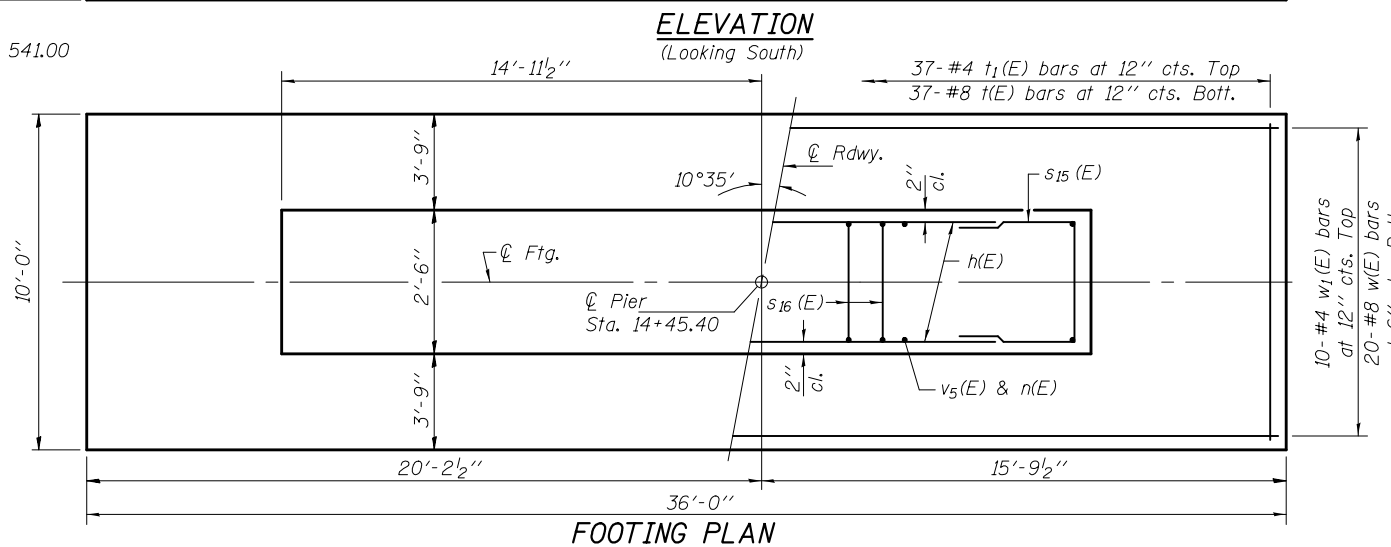
Max. applied service bearing pressure = 7.5 ksf



**BARS s13(E)
THRU s16(E)**

A & B DIMENSIONS

Bar	A	B
s13(E)	2'-0 1/2"	3'-5"
s14(E)	2'-0 1/2"	3'-9"
s15(E)	2'-0 1/2"	6'-0"
s16(E)	1'-11"	9'-0"



FOOTING PLAN

DESIGNED - Dewey H. Coultas
 CHECKED - Frank W. Sharpe
 DRAWN - h.t. duong
 CHECKED - DHC/FWS

EXAMINED - *Joanne F. [Signature]*
 ACTING ENGINEER OF BRIDGE DESIGN
 PASSED - *Carl [Signature]*
 ACTING ENGINEER OF BRIDGES AND STRUCTURES

DATE - OCTOBER 9, 2014
 REVISED
 REVISED

STATE OF ILLINOIS
 DEPARTMENT OF TRANSPORTATION

PIER
 STRUCTURE NO. 032-0124

SHEET NO. 21 OF 24 SHEETS

F.A.U. RTE.	SECTION	COUNTY	TOTAL SHEETS	SHEET NO.
5966	(32-2) HBR-6	GRUNDY	98	68

CONTRACT NO. 66B27
 ILLINOIS FED. AID PROJECT