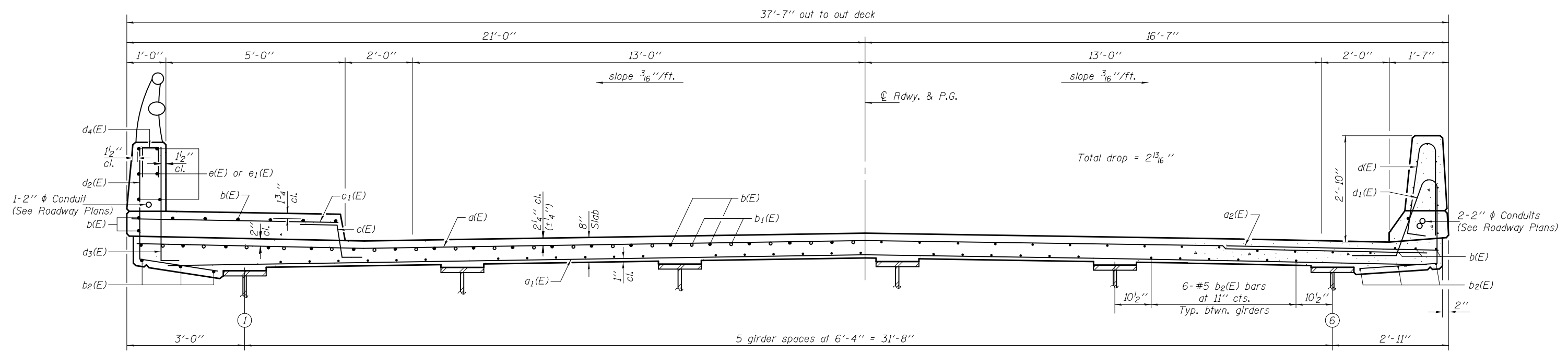


Notes:
 See sheets 10 & 11 of 24 for superstructure details and Bill of Material.
 Bars indicated thus 20 x 3-#5 etc. indicates 20 lines of bars with 3 lengths per line.
 See sheets 10 & 11 of 24 for parapet reinforcement.

MIN. BAR LAPS
 (Deck)
 #5 bar = 2'-7"
 #6 bar = 3'-1"

*Order a(E) and a1(E) bars full length. Cut to fit skew and use remainder of bars in opposite end.

HALF PLAN



CROSS SECTION
 (Looking South)

DESIGNED - Dewey H. Coultas	EXAMINED - <i>Joanne F. [Signature]</i>	DATE - OCTOBER 9, 2014	STATE OF ILLINOIS DEPARTMENT OF TRANSPORTATION	SUPERSTRUCTURE STRUCTURE NO. 032-0124	F.A.U. RTE. 5966	SECTION (32-2) HBR-6	COUNTY GRUNDY	TOTAL SHEETS 98	SHEET NO. 56	
CHECKED - Frank W. Sharpe	PASSED - <i>Carl [Signature]</i>	REVISED			CONTRACT NO. 66B27					
DRAWN - h.t. duong	ACTING ENGINEER OF BRIDGES AND STRUCTURES	REVISED			SHEET NO. 9 OF 24 SHEETS					
CHECKED - DHC/FWS					ILLINOIS FED. AID PROJECT					