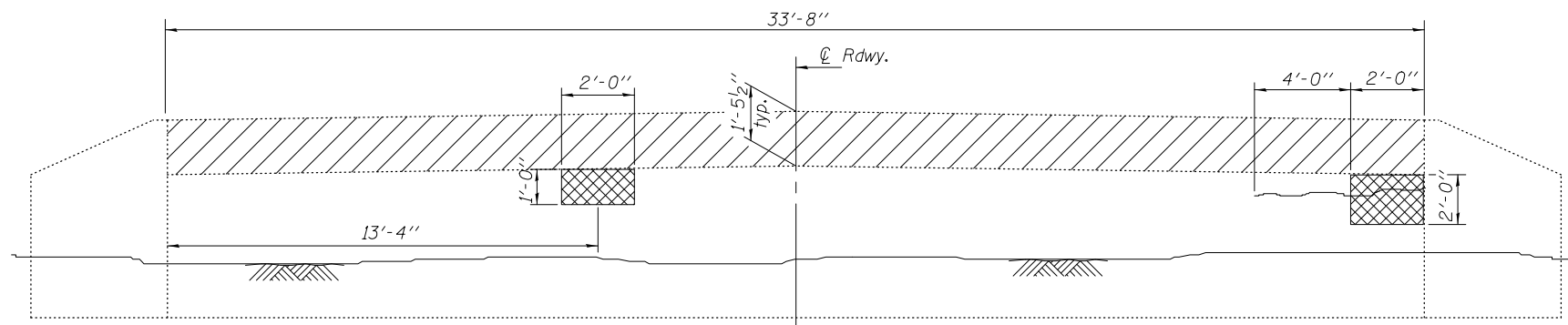
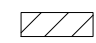
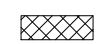
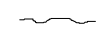


NORTH ABUTMENT - ELEVATION
(North face)



SOUTH ABUTMENT - ELEVATION
(South face)

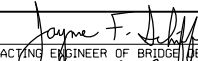

LEGEND

-  Concrete Removal
-  Structural Repair of Concrete (Depth ≤ 5")
-  Epoxy Crack Injection

**TWO ABUTMENTS
BILL OF MATERIAL**

Item	Unit	Quantity
Structural Repair of Concrete (Depth ≤ 5")	Sq. Ft.	8.2
Epoxy Crack Injection	Foot	7
Concrete Removal	Cu. Yd.	3.8

DESIGNED - Fess Teklehaimanot
 CHECKED - Ray Ahanchi
 DRAWN - h.t. duong
 CHECKED - FT/GRA

EXAMINED 
 ACTING ENGINEER OF BRIDGE DESIGN
 PASSED 
 ACTING ENGINEER OF BRIDGES AND STRUCTURES

DATE - SEPTEMBER 3, 2014
 REVISED -
 REVISED -

**STATE OF ILLINOIS
DEPARTMENT OF TRANSPORTATION**

**ABUTMENT REPAIR DETAILS
STRUCTURE NO. 038-0184**

SHEET NO. 10 OF 11 SHEETS

F.A.S. RTE.	SECTION	COUNTY	TOTAL SHEETS	SHEET NO.
1324	38BR	IROQUOIS	35	23
CONTRACT NO. 66A72				
ILLINOIS FED. AID PROJECT				