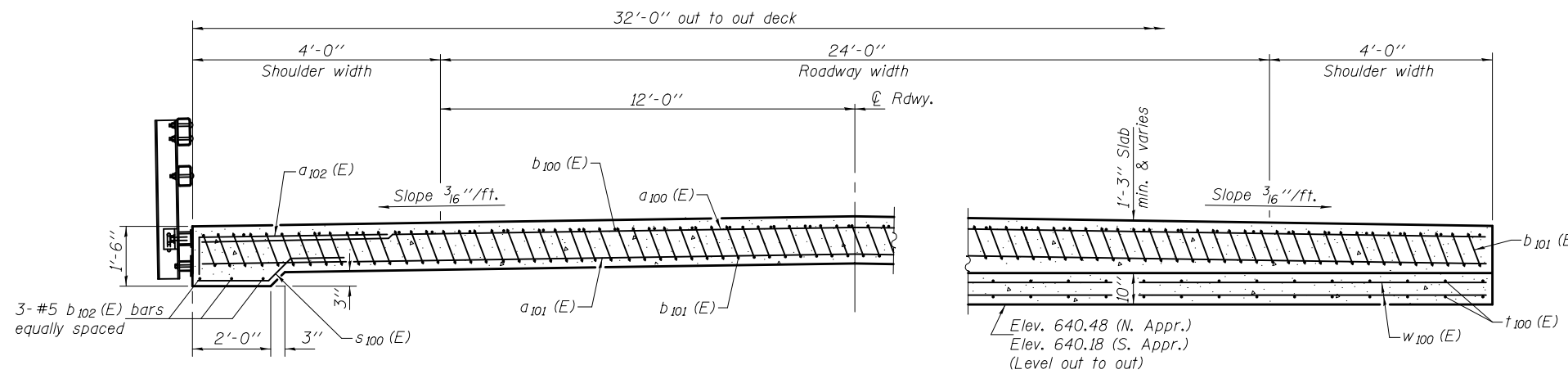


SECTION C-C

Notes:
 See sheet 5 of 11 for Detail A.
 Approach slab shall be paid for as Concrete Superstructure.
 Approach footing concrete shall be paid for as Concrete Structures.
 Reinforcement shall be paid for as Reinforcement Bars, Epoxy Coated.
 The approach footing maximum applied service bearing pressure (Qmax) = 2.0 ksf.
 Cost of excavation for approach footing included with Concrete Structures.
 For Granular Backfill for Structures and drainage treatment details, see sheet 2 of 11.

*Tilt #9 b₁₀₁(E) bars as required to maintain clearance.
 ***Cost included with Concrete Superstructure.
 ****Epoxy grout v(E) bars. See sheet 4 of 11.

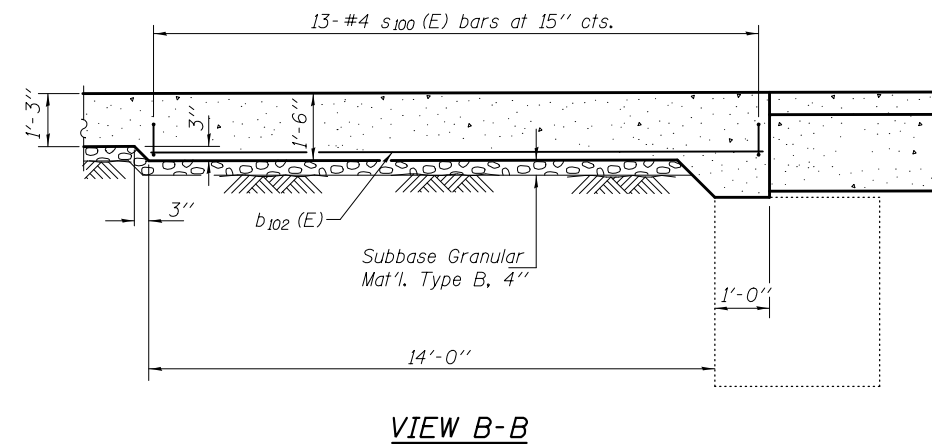
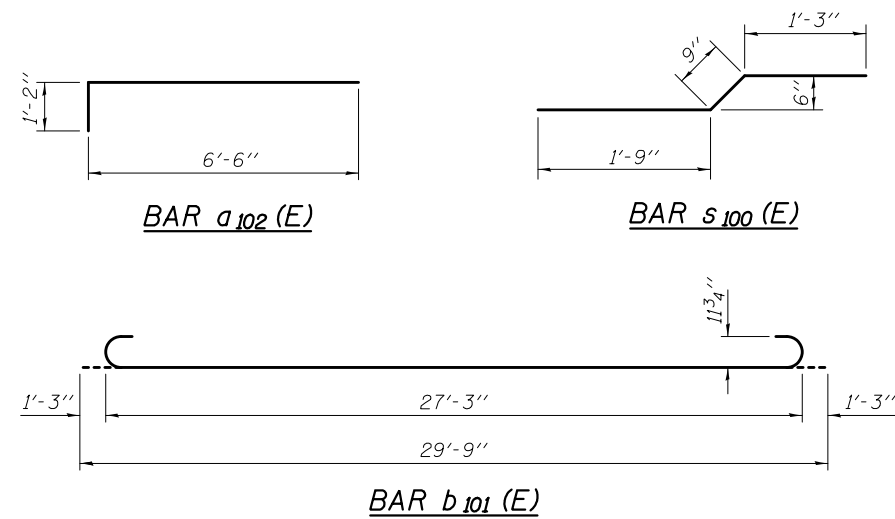


NEAR ABUTMENT

SECTION D-D

(See Plan for dimensions not shown)

AT APPROACH FOOTING



**TWO APPROACHES
 BILL OF MATERIAL**

Bar	No.	Size	Length	Shape
a ₁₀₀ (E)	50	#4	32'-1"	—
a ₁₀₁ (E)	92	#5	32'-1"	—
a ₁₀₂ (E)	48	#6	7'-8"	┌
b ₁₀₀ (E)	52	#4	29'-8"	—
b ₁₀₁ (E)	154	#9	29'-9"	┌
b ₁₀₂ (E)	12	#5	14'-8"	—
s ₁₀₀ (E)	52	#4	3'-9"	┌
t ₁₀₀ (E)	132	#4	9'-10"	—
w ₁₀₀ (E)	80	#5	32'-2"	—
Concrete Superstructure			Cu. Yd.	95.5
Concrete Structures			Cu. Yd.	20.1
Reinforcement Bars, Epoxy Coated			Pound	25180

DESIGNED - Fess Teklehalmanot
 CHECKED - Ray Ahanchi
 DRAWN - h.t. duong
 CHECKED - FT/GRA

EXAMINED - *Joanne F. [Signature]*
 ACTING ENGINEER OF BRIDGE DESIGN
 PASSED - *Carl [Signature]*
 ACTING ENGINEER OF BRIDGES AND STRUCTURES

DATE - SEPTEMBER 3, 2014
 REVISED -
 REVISED -

**STATE OF ILLINOIS
 DEPARTMENT OF TRANSPORTATION**

**BRIDGE APPROACH SLAB DETAILS
 STRUCTURE NO. 038-0184**

SHEET NO. 6 OF 11 SHEETS

F.A.S. RTE.	SECTION	COUNTY	TOTAL SHEETS	SHEET NO.
1324	38BR	IROQUOIS	35	19
				CONTRACT NO. 66A72
ILLINOIS FED. AID PROJECT				