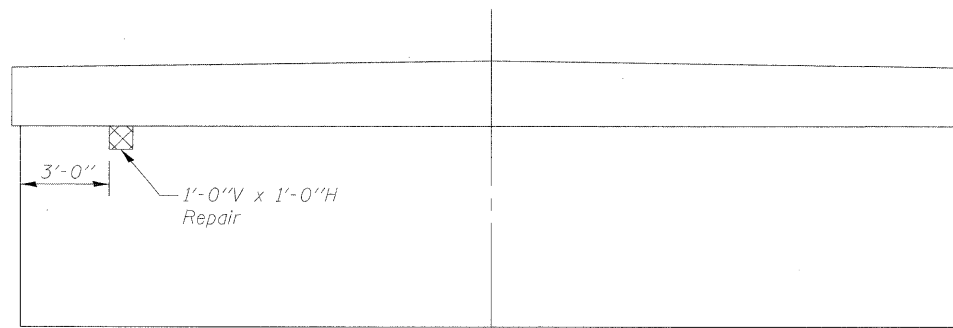
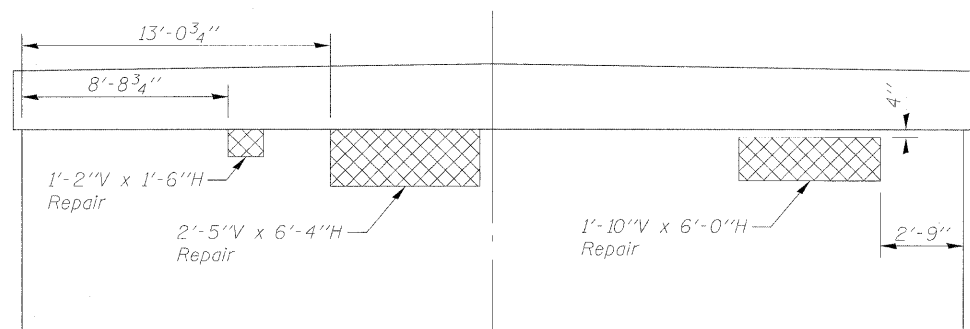


**PIER 1 - ELEVATION**  
(North Face)

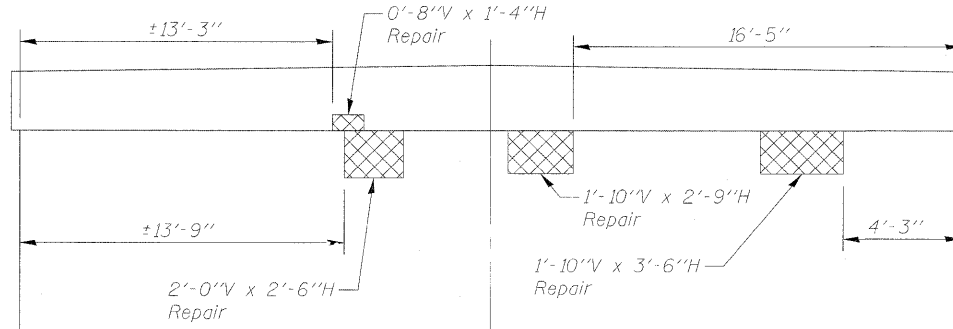


**PIER 2 - ELEVATION**  
(North Face)

Notes:  
 See Sheet 15 of 22 for Section Thru Pier cap and additional details.  
 Dimensions shown for repair are for estimating purposes only. Final limits of repair are to be determined in the field.



**PIER 1 - ELEVATION**  
(South Face)

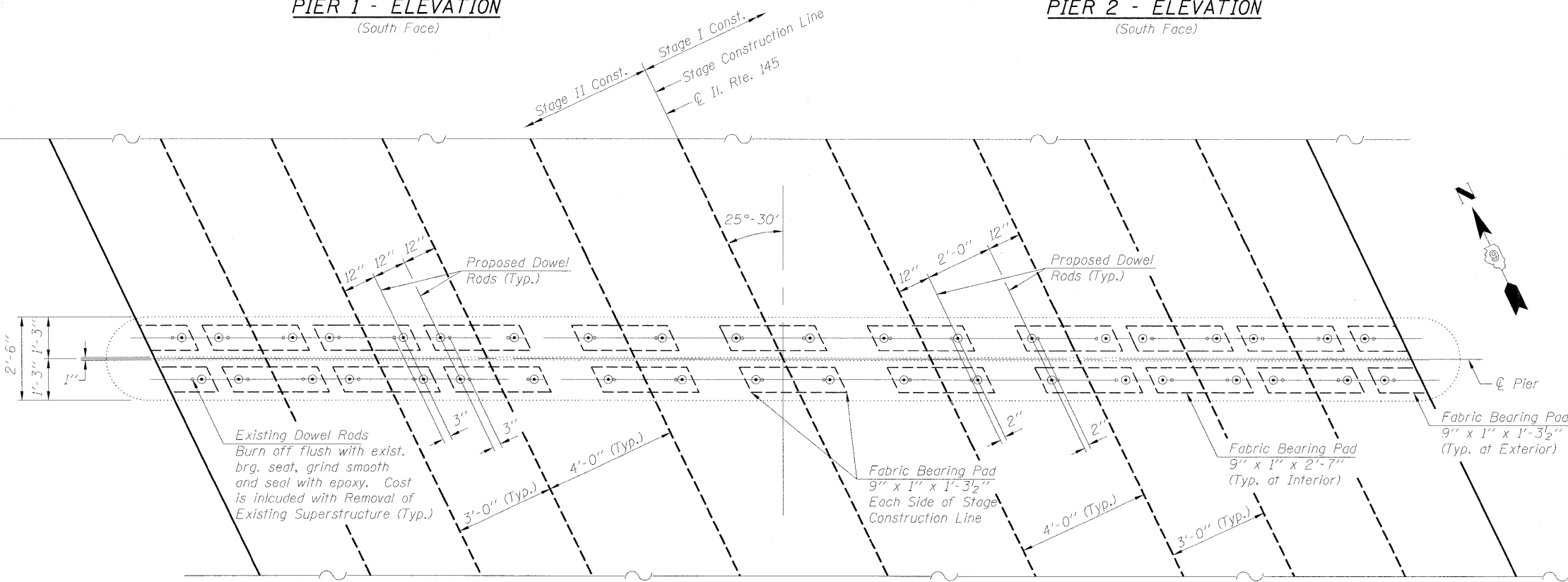


**PIER 2 - ELEVATION**  
(South Face)

**LEGEND**

Structural Repair of Concrete (Depth equal to or less than 5 inches)

V - Indicates Vertical  
 H - Indicates Horizontal



**PLAN**  
(Looking North)

**BILL OF MATERIAL**

Item	Unit	Quantity
Structural Repair of Concrete (Depth equal to or less than 5 inches)	Sq. Ft.	53.7