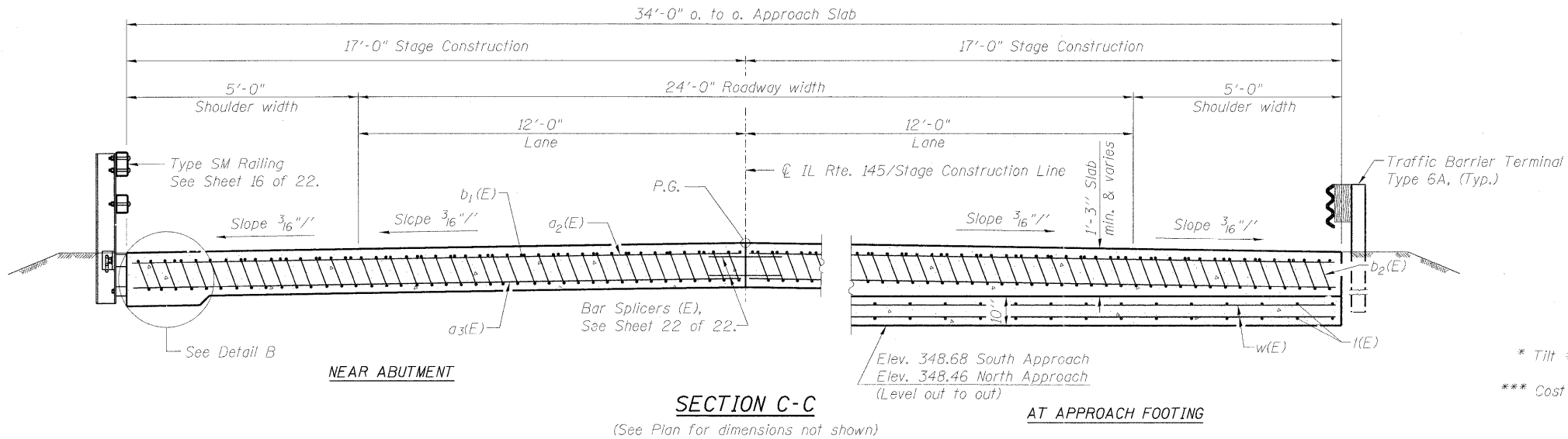
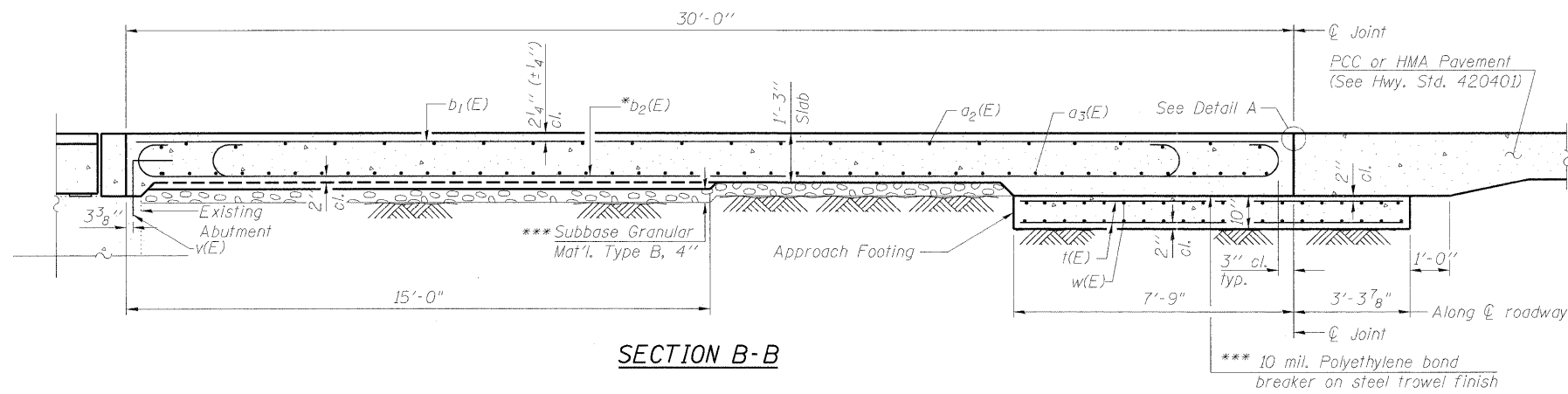
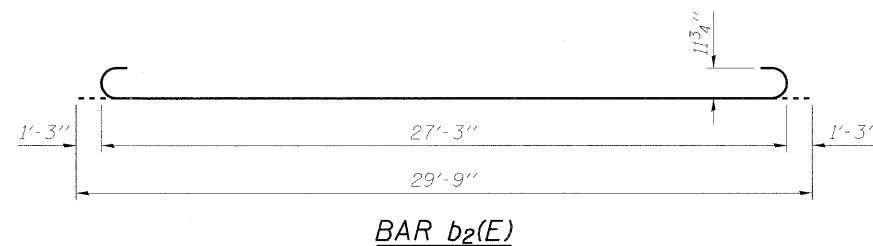
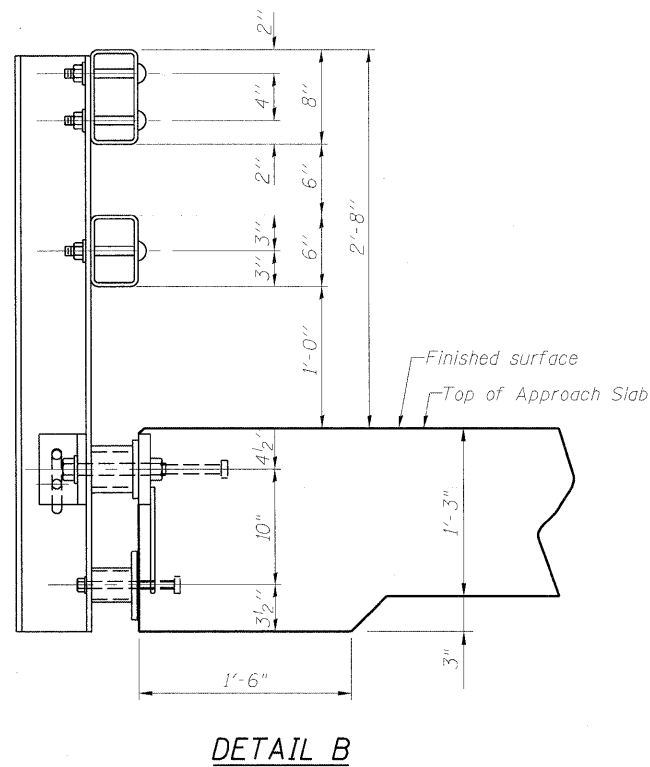


Notes:
 See sheet 8 of 22 for Detail A.
 Approach slab shall be paid for as Concrete Superstructure.
 Approach footing concrete shall be paid for as Concrete Structures.
 Reinforcement shall be paid for as Reinforcement Bars, Epoxy Coated.
 For v(E) bar details, see sheets 18 & 19 of 22.
 The approach footing maximum applied service bearing pressure (Qmax) = 2.0 ksf.
 For bar splicer details, see sheet 22 of 22.
 Cost of excavation for approach footing included with Concrete Structures.



* Tilt #9 b2(E) bars as required to maintain clearance.
 *** Cost included with Concrete Superstructure.



**TWO APPROACHES
BILL OF MATERIAL**

Bar	No.	Size	Length	Shape
a2(E)	100	#4	18'-8"	—
a3(E)	184	#5	18'-8"	—
b1(E)	56	#4	29'-8"	—
b2(E)	160	#9	29'-9"	⌋
t(E)	72	#4	10'-9"	—
w(E)	160	#5	18'-8"	—
Concrete Superstructure			Cu. Yd.	103.4
Concrete Structures			Cu. Yd.	23.3
Reinforcement Bars, Epoxy Coated			Pound	25760
Bar Splicers			Each	222