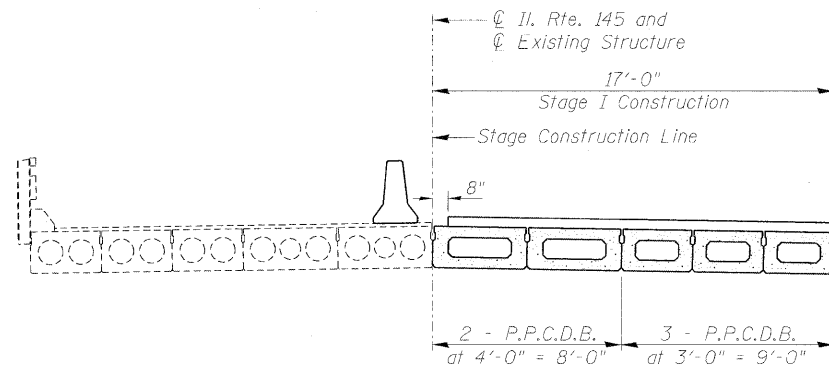
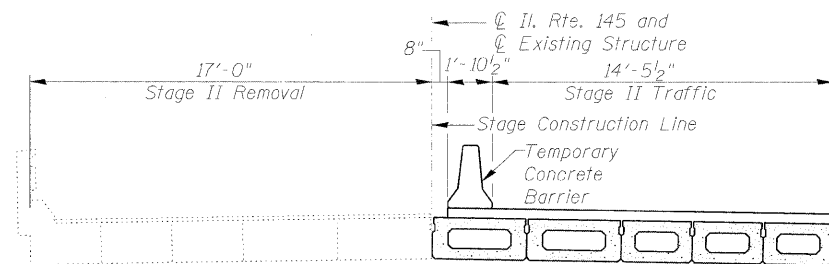


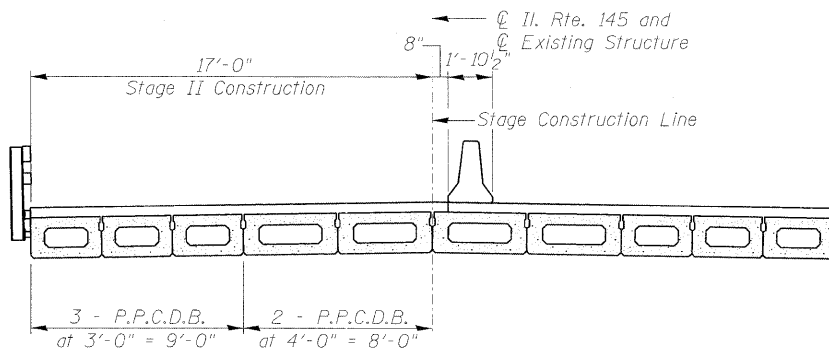
STAGE I REMOVAL
Looking North



STAGE I CONSTRUCTION
Looking North



STAGE II REMOVAL
Looking North



STAGE II CONSTRUCTION
Looking North

Note:
See Roadway Plans for Temporary Concrete Barrier quantities.
See Sheet 14 of 22 for Shear Key Clamping Details.

FILE NAME = 0780025_78164-003-Stage_Constr.dgn	USER NAME = cox01283	DESIGNED - BWC	REVISED -	STATE OF ILLINOIS DEPARTMENT OF TRANSPORTATION	STAGE CONSTRUCTION DETAILS STRUCTURE NO. 076-0025	F.A.P. RTE. = 132	SECTION = 103BR-1	COUNTY = POPE	TOTAL SHEETS = 38	SHEET NO. = 19	
		CHECKED -	REVISED -			CONTRACT NO. 78164					
		DRAWN - BWC	REVISED -			ILLINOIS FED. AID PROJECT					
		CHECKED - MNM	REVISED -								