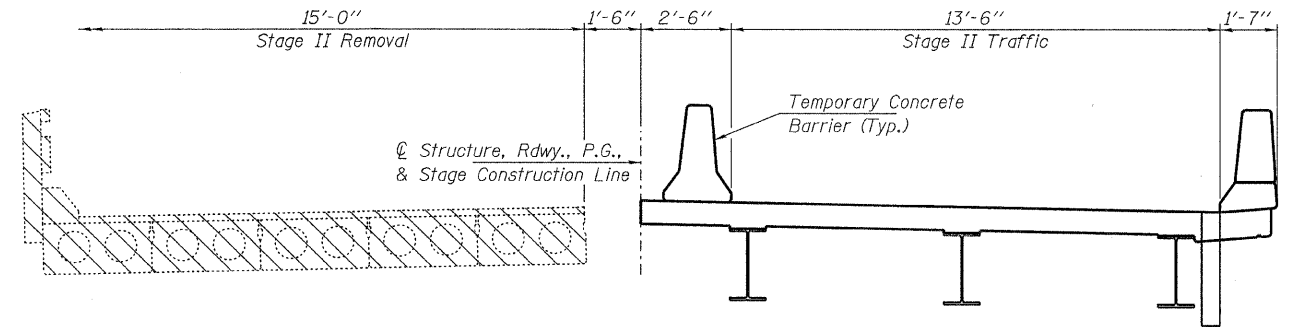
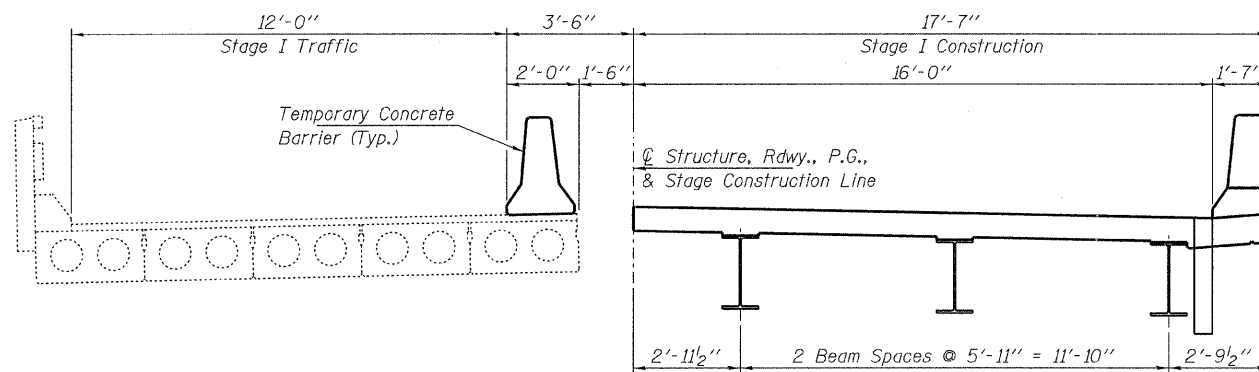


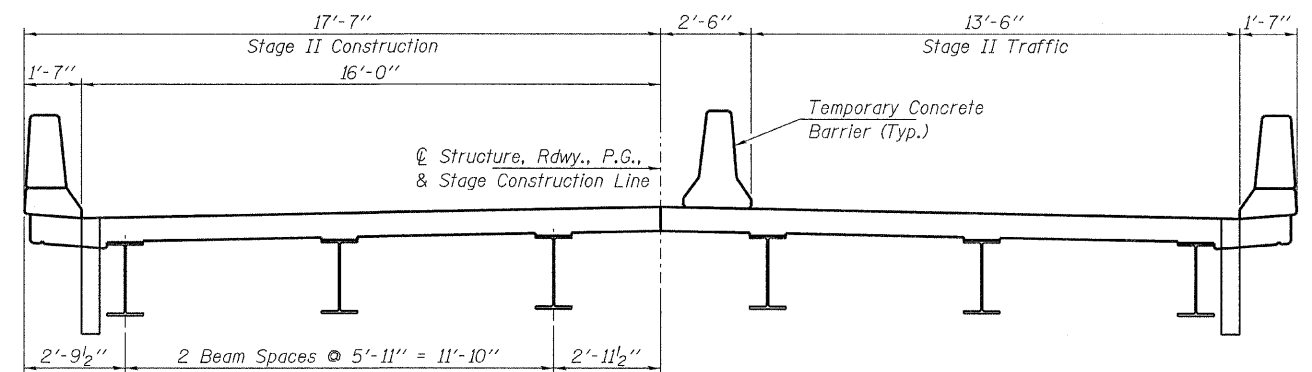
STAGE I REMOVAL



STAGE II REMOVAL



STAGE I CONSTRUCTION



STAGE II CONSTRUCTION

Notes:
 All sections are looking South.
 Hatched areas indicate removal.
 Existing Temporary Steel Support Beams
 are not shown in the cross sections above.
 See Roadway Plans for quantity of
 Temporary Concrete Barrier.

FILE NAME = 090148-ah-bridge.dgn	USER NAME =	DESIGNED - A.S.L.	REVISED -	STATE OF ILLINOIS DEPARTMENT OF TRANSPORTATION	STAGE CONSTRUCTION DETAILS STRUCTURE NO. 097-0076	F.A.P.	SECTION	COUNTY	TOTAL SHEETS	SHEET NO.	
HAMPTON, LENZINI AND RENWICK, INC. 2085 STEVENSON DRIVE, SUITE 201 SPRINGFIELD, ILLINOIS 62708	PLOT SCALE =	CHECKED - C.C.S.	REVISED -			328	105B-1	WHITE	54	24	
HLR ILLINOIS PROFESSIONAL DESIGN FIRM L.S./P.E./S.E. CORP. 184.003959	PLOT DATE = 7/13/2011	DRAWN - D.A.B.	REVISED -			CONTRACT NO. 78161					
		CHECKED - M.D.C.	REVISED -			ILLINOIS FED. AID PROJECT					
						SHEET NO. 3 OF 26 SHEETS					