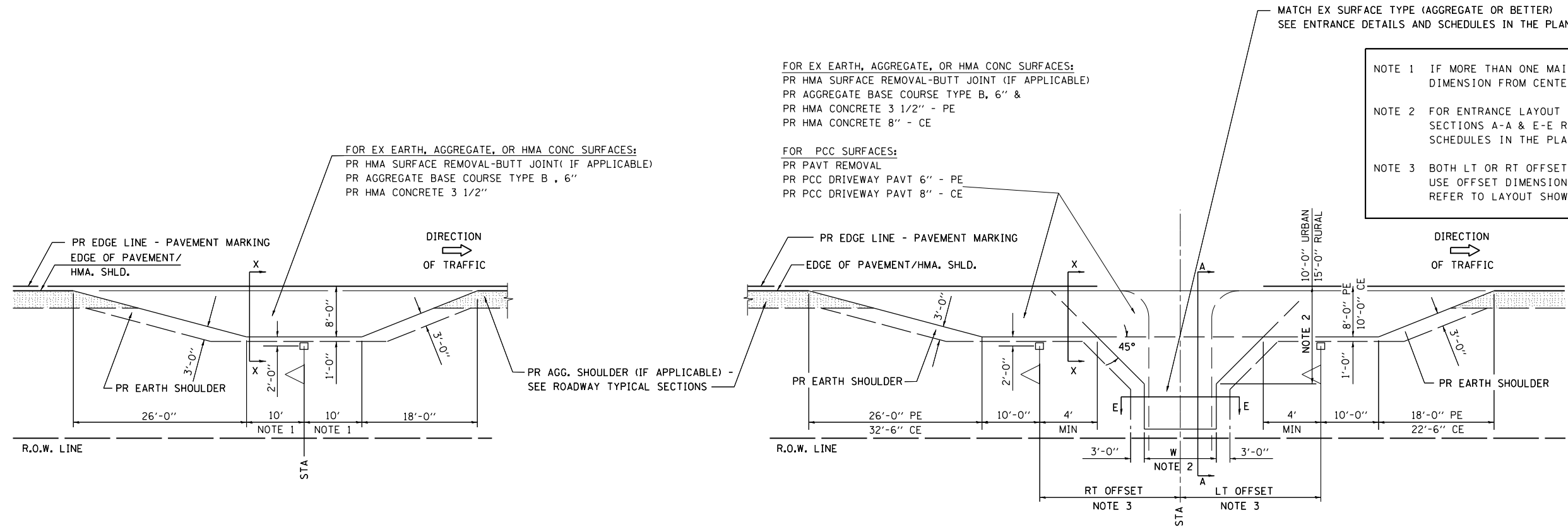
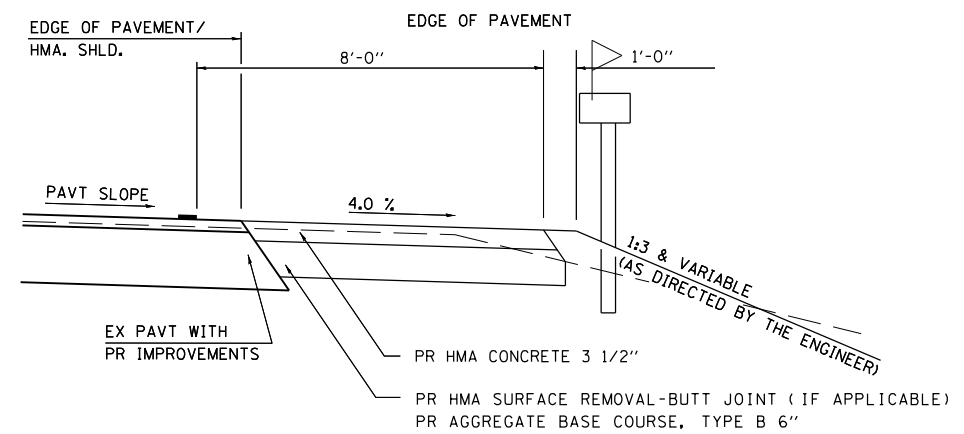


**DETAILS OF MAILBOX TURNOUTS**

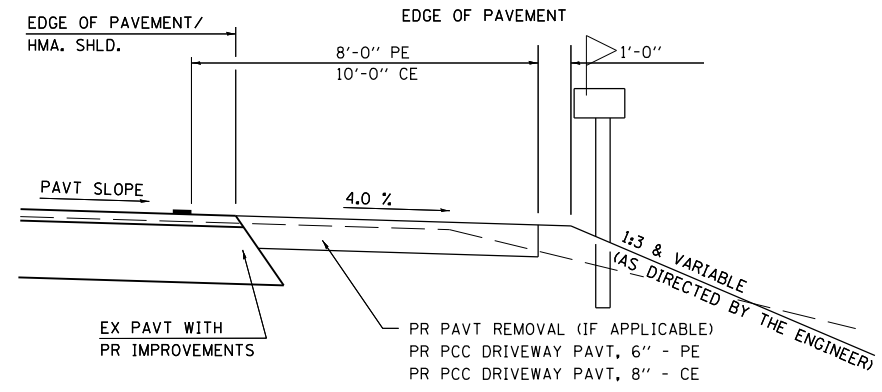


**PLAN - MAILBOX TURNOUTS**

**PLAN - COMBINED MAILBOX TURNOUT WITH TRAILING OR LEADING ENTRANCE**



**SECTION X-X THRU MAILBOX TURNOUT COMBINED WITH EX CONC PE OR CE**



**SECTION X-X THRU MAILBOX TURNOUT COMBINED WITH EX EARTH, AGGREGATE, OR HMA CE**

FILE NAME =	USER NAME = sparksgw	DESIGNED -	REVISED - 2/19/03 (JCN)
ci:\pw\work\p\idot\sparksgw\10221228\0672087-sht-details.dgn		DRAWN - CADD	REVISED - 4/01/04 (JCN)
	PLOT SCALE = 40.0000' / in.	CHECKED - JCN	REVISED - 8/01/07 (JCN)
	PLOT DATE = Sep-01-2011 12:36:21PM	DATE - FEBRUARY 23, 1999	REVISED -

**STATE OF ILLINOIS  
DEPARTMENT OF TRANSPORTATION**

**DISTRICT 6 DETAILS FOR RURAL/URBAN ENTRANCE & MAILBOX TURNOUT W/O CONC GUTTER (3R - PROJECTS)**

F.A.U. RTE.	SECTION	COUNTY	TOTAL SHEETS	SHEET NO.
7998	110TS,NL	SANGAMON	95	53
CONTRACT NO. 72C87				
FED. ROAD DIST. NO. ILLINOIS FED. AID PROJECT				

SCALE: SHEET NO. 2 OF 2 SHEETS STA. TO STA.

ENT 3R.DGN