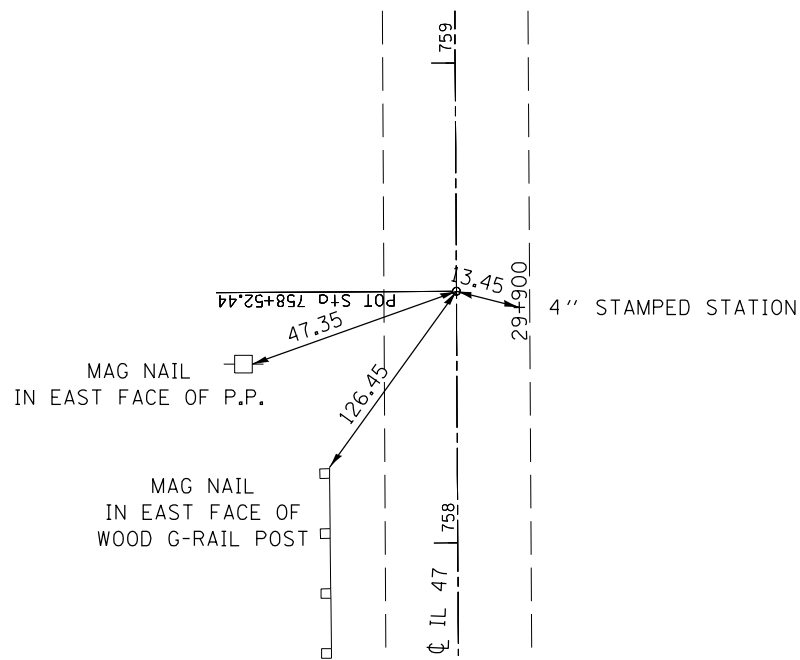
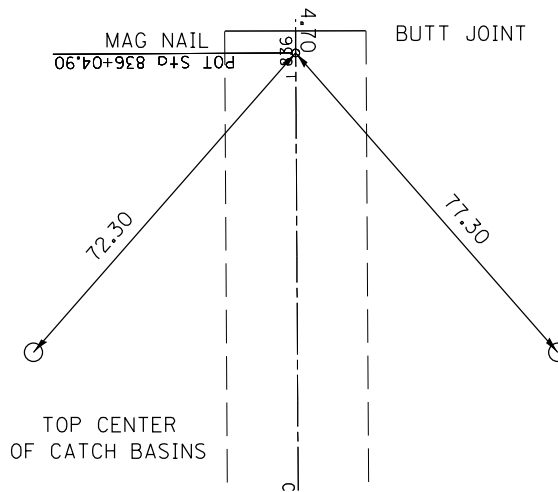


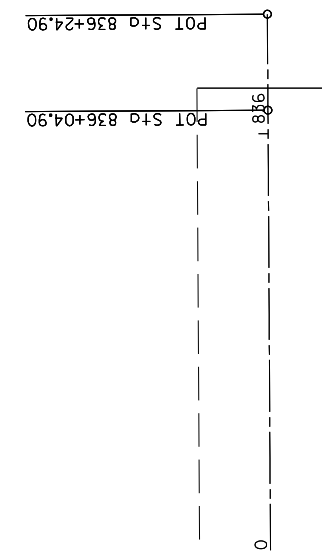
P.O.T. #35
STA. 758 + 52.44



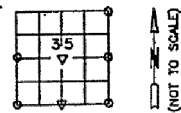
P.O.T. #38
STA. 836 + 04.90



P.O.T. #53
STA. 836 + 24.90
(NOT SET)



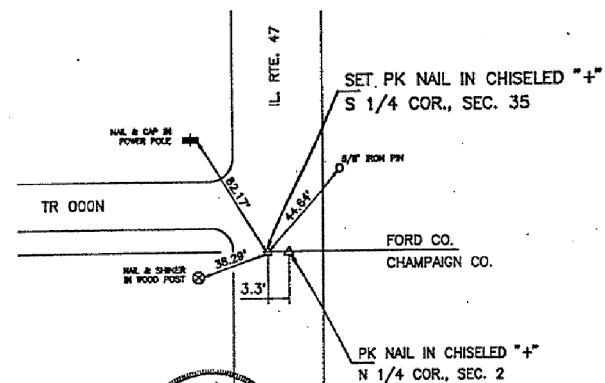
"MONUMENT RECORD"
LAND SURVEY MONUMENTS
SITUATED IN
SECTION 35 TWP 23 NORTH
RANGE 7 EAST 3rd P.M.
FORD COUNTY, IL



199758
4/12/95

COPY

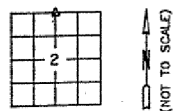
RECOVERY TIE DRAWING
(SHOW MONUMENT DESCRIPTION, ACCESSORIES & KNOWN HISTORY AT EACH RECORD CORNER WITH TIES)



I, WILLIAM J. COOMBE, HEREBY CERTIFY THAT THIS DOCUMENT WAS PREPARED UNDER MY DIRECTION IN ACCORDANCE WITH THE LAND SURVEYOR MONUMENT ACT CHAPTER 765 ILCS 220.
William J. Coombe 3-7-95
IL PLS NO. 2730 DATE

SHEET 1 OF 4
STA. 0+996.462

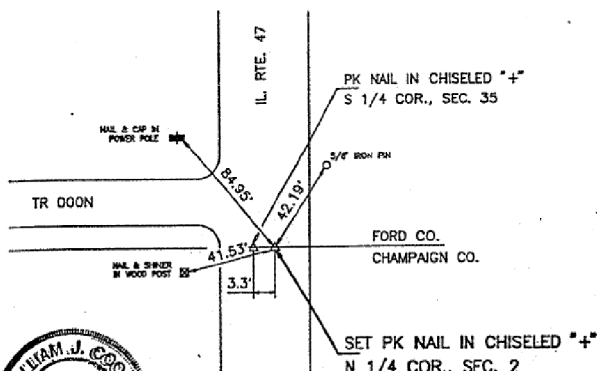
"MONUMENT RECORD"
LAND SURVEY MONUMENTS
SITUATED IN
SECTION 2 TWP 22 NORTH
RANGE 7 EAST 3rd P.M.
CHAMPAIGN COUNTY, IL



95R 6625

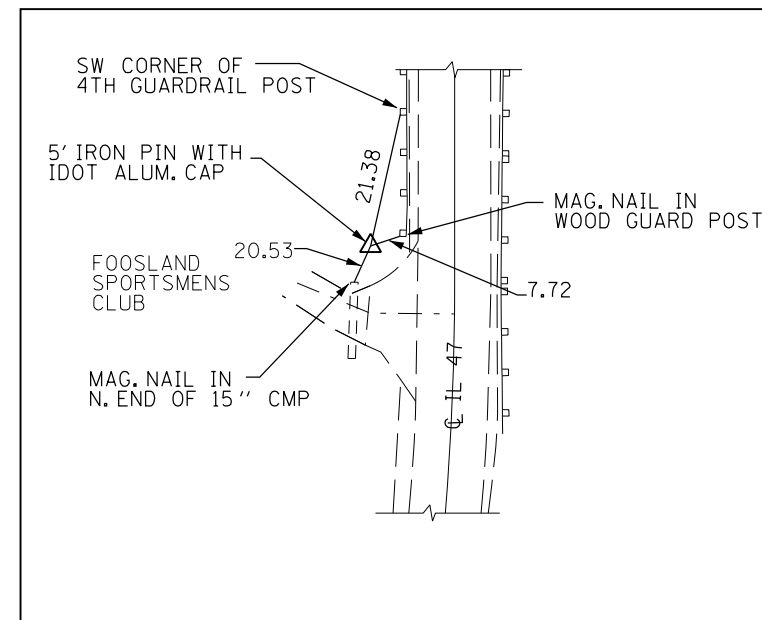
Book 2186 COPY
Pg 868

RECOVERY TIE DRAWING
(SHOW MONUMENT DESCRIPTION, ACCESSORIES & KNOWN HISTORY AT EACH RECORD CORNER WITH TIES)



I, WILLIAM J. COOMBE, HEREBY CERTIFY THAT THIS DOCUMENT WAS PREPARED UNDER MY DIRECTION IN ACCORDANCE WITH THE LAND SURVEYOR MONUMENT ACT CHAPTER 765 ILCS 220.
William J. Coombe 3-6-95
IL PLS NO. 2730 DATE

(SEAL)
SHEET 1 OF 4
STA. 0+996.462



TS #401 & BM 4685-1
STA. 743+34.00
OFF. 27.02 LT.
N 100,005.60
E 99,999.70

FILE NAME =	USER NAME = bucklesjj	DESIGNED -	REVISED -
c:\pwork\work\pwork\dot\bucklesjj\d0180660\0570706-shr-ATB.dgn		DRAWN -	REVISED -
	PLOT SCALE = 40.0000' / in.	CHECKED -	REVISED -
	PLOT DATE = 8/15/2011	DATE -	REVISED -

STATE OF ILLINOIS
DEPARTMENT OF TRANSPORTATION

TIE POINTS

SCALE: SHEET NO. OF SHEETS STA. TO STA.

F.A.P. RTE.	SECTION	COUNTY	TOTAL SHEETS	SHEET NO.
326	129R5-3	Champaign	24	14
CONTRACT NO. 70706				
ILLINOIS FED. AID PROJECT				