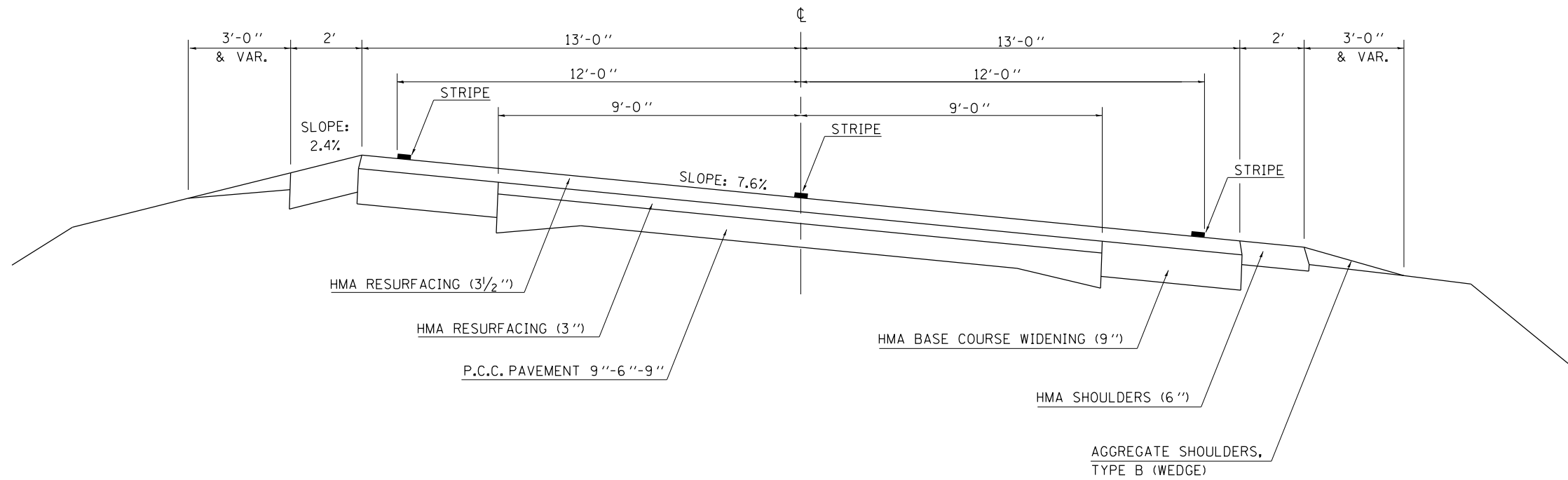


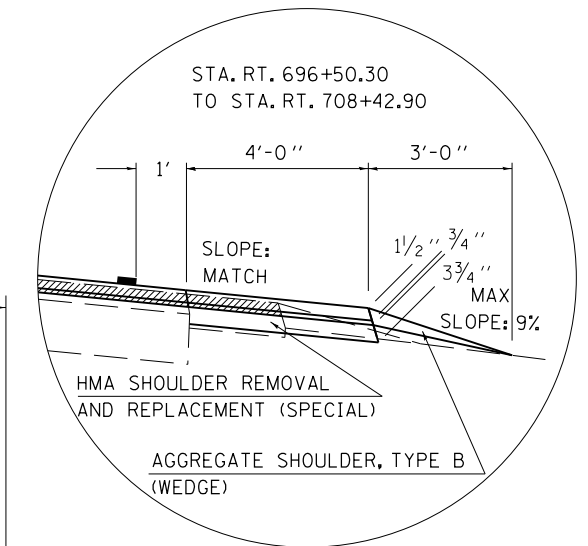
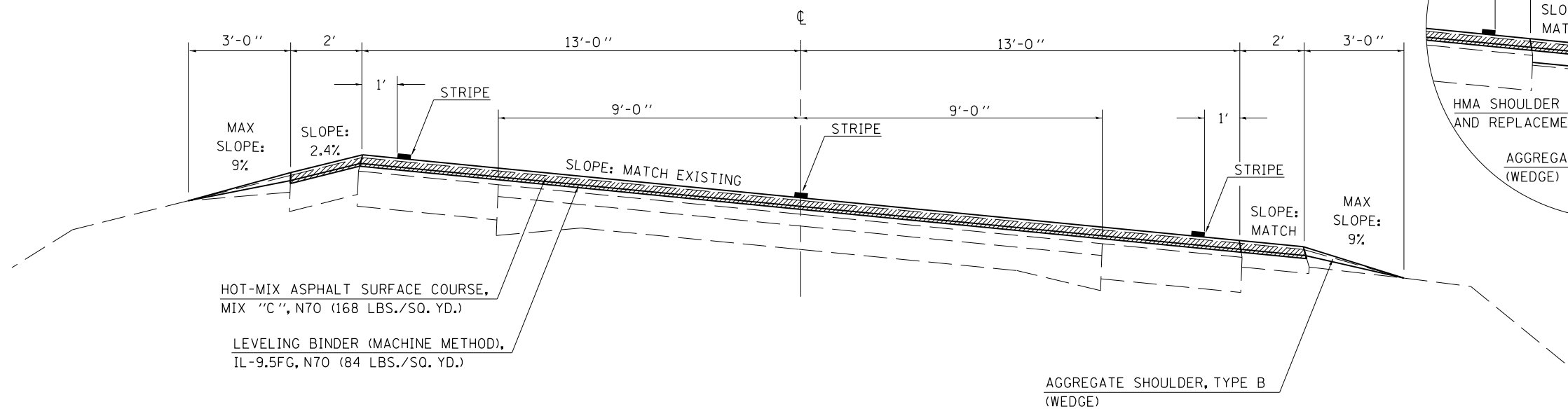
EXISTING TYPICAL CROSS SECTION

STATION TO STATION
 696+50.30 708+42.90
 732+38.09 744+34.90



② PROPOSED TYPICAL CROSS SECTION

STATION TO STATION
 ① 696+50.30 708+42.90 ①
 ① 732+38.09 744+34.90 ①



HOT-MIX ASPHALT SURFACE REMOVAL, 1 1/2"

FILE NAME =	USER NAME = bucklesjj	DESIGNED -	REVISED -	STATE OF ILLINOIS DEPARTMENT OF TRANSPORTATION	EXISTING TYPICAL SECTION PROPOSED TYPICAL SECTION	F.A.P. RTE. 326	SECTION 129RS-3	COUNTY Champaign	TOTAL SHEETS 24	SHEET NO. 5
et:\pwork\pwork\dot\bucklesjj\d0180660\0570706-shit-Typical.dgn	PLOT SCALE = 40.0000' / in.	CHECKED -	REVISIED -	SCALE:	SHEET NO. OF SHEETS	STA. TO STA.	CONTRACT NO. 70706			
PLOT DATE = 8/15/2011	DATE -	DATE -	REVISIED -	ILLINOIS FED. AID PROJECT						