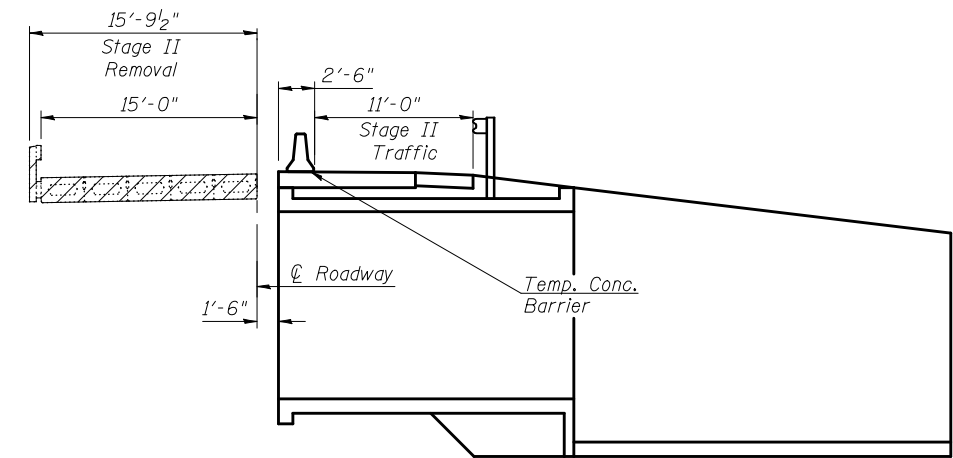
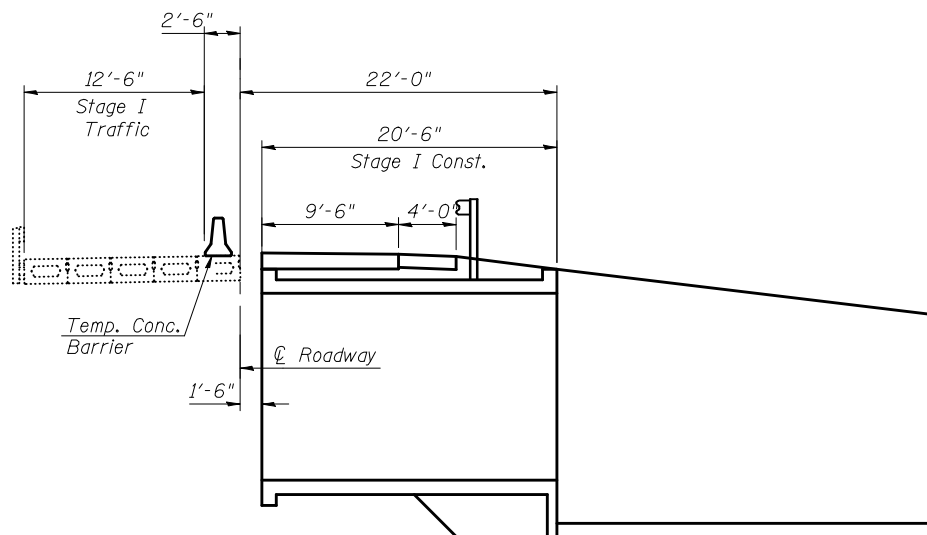


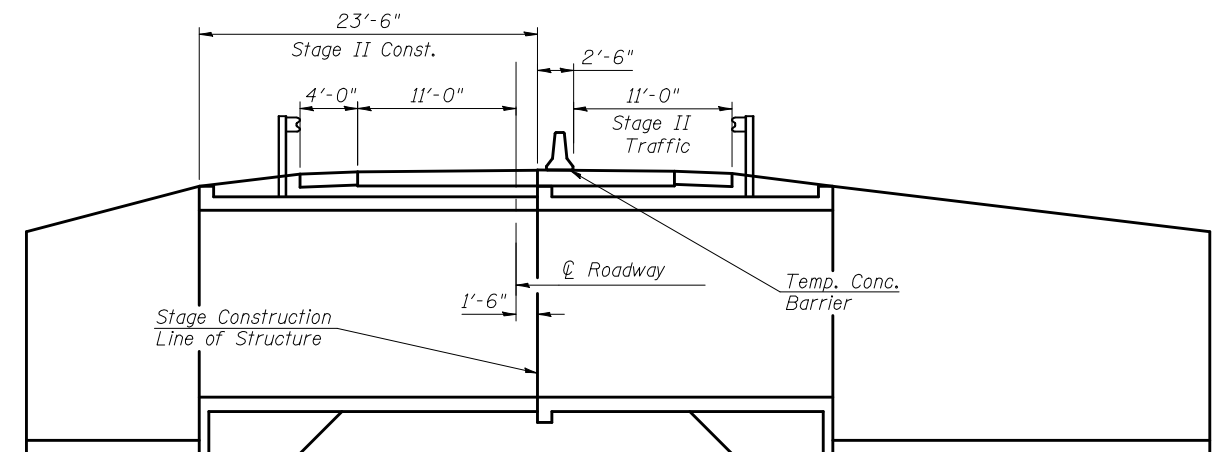
STAGE I REMOVAL



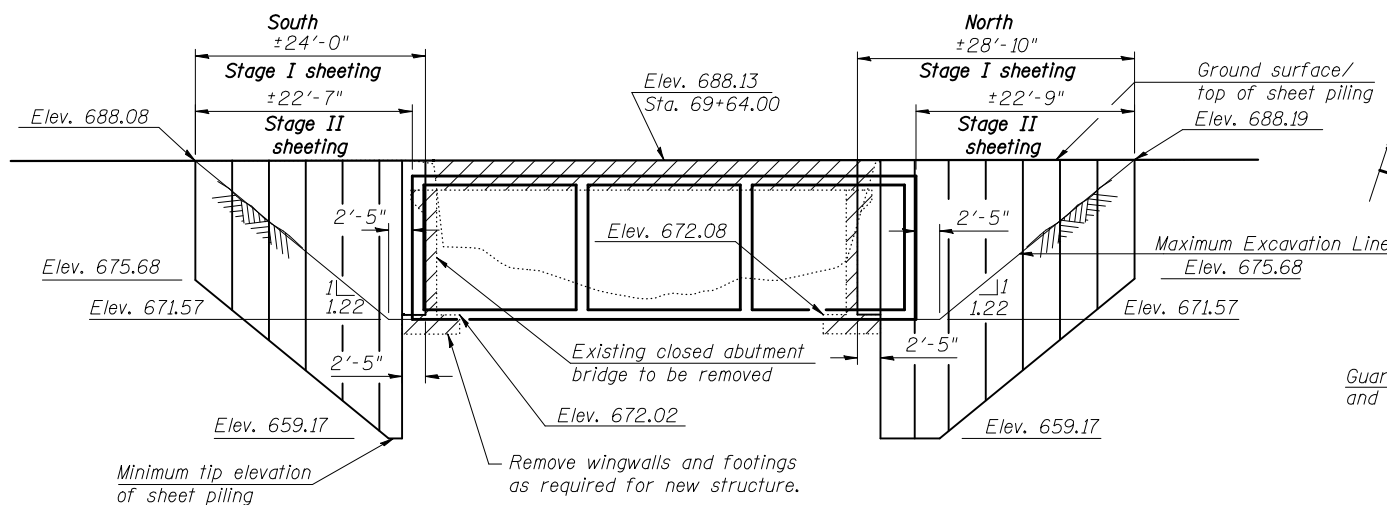
STAGE II REMOVAL



STAGE I CONSTRUCTION

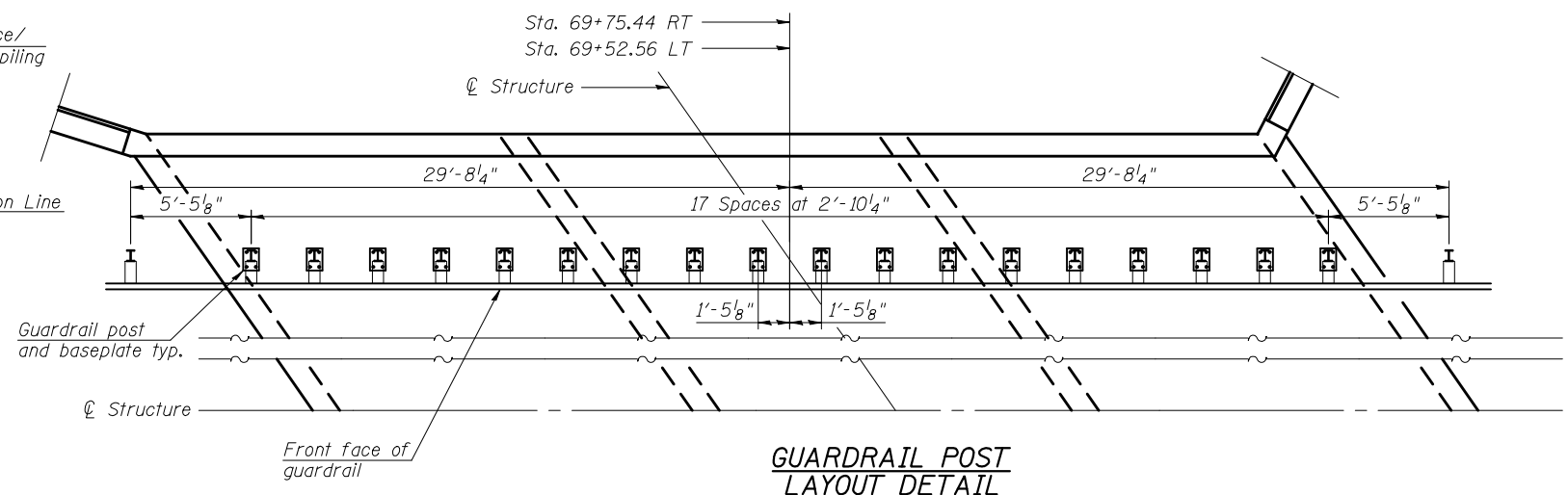


STAGE II CONSTRUCTION



TEMPORARY SHEET PILING DETAIL

Minimum Section Modulus = 25.2 in³/ft.
 The Contractor shall connect the first sheet to the existing abutment wall to ensure stability of sheets driven to the top of the existing footing. This connection shall be reviewed and accepted by the Engineer and included in the cost for Temporary Sheet Piling.
 If the Contractor chooses to alter the temporary cantilevered sheet piling design requirements shown on the plans, a design submittal including plan details and calculations will be required for review and acceptance by the Engineer.



GUARDRAIL POST LAYOUT DETAIL

Notes:
 Stage Construction cross sections are looking North.
 For details of Temporary Concrete Barrier, see sheet 3 of 9.

McDonough-Whitlow, P.C.
 Consulting Engineers & Land Surveyors
 138 East Wood Street
 Hillsboro, IL 62049
 Phone: 217.532.9233
 Fax: 217.532.6300
 PROFESSIONAL DESIGN No. 184-002754

FILE NAME = 0922044-70434.dgn	USER NAME = RNH	DESIGNED - JMH	REVISED -
		CHECKED - TMM	REVISED -
		DRAWN - RNH	REVISED -
		CHECKED - TMM	REVISED -

**STATE OF ILLINOIS
 DEPARTMENT OF TRANSPORTATION**

**STAGE CONSTRUCTION DETAILS
 STRUCTURE NO. 092-2044**

SHEET NO. 2 OF 9 SHEETS

F.A.S. RTE.	SECTION	COUNTY	TOTAL SHEETS	SHEET NO.
331	(79-102)BR	VERMILION	29	13
			CONTRACT NO. 70434	

ILLINOIS FED. AID PROJECT