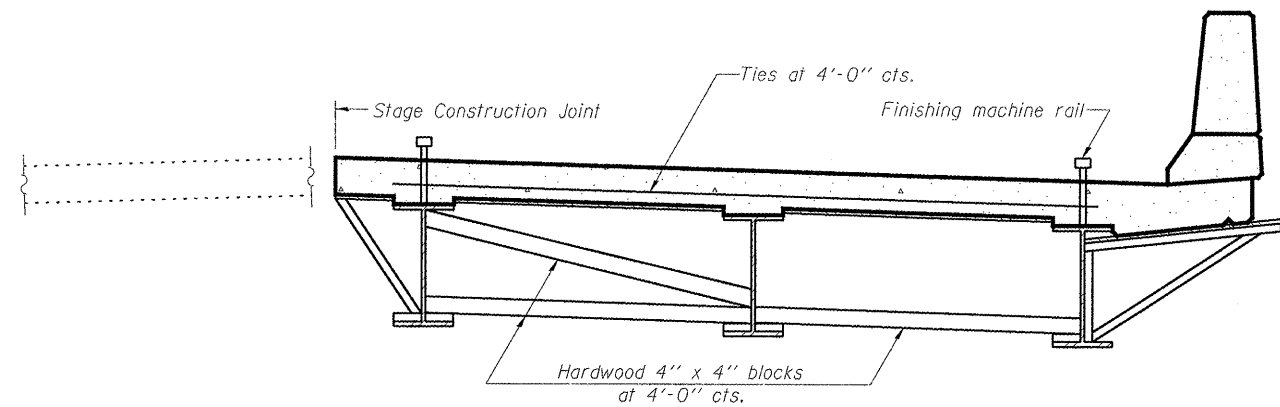


When cantilever forming brackets are used, the work shall be done according to Article 503.06(b) of the Standard Specifications, except as modified below and in the details shown on this sheet.

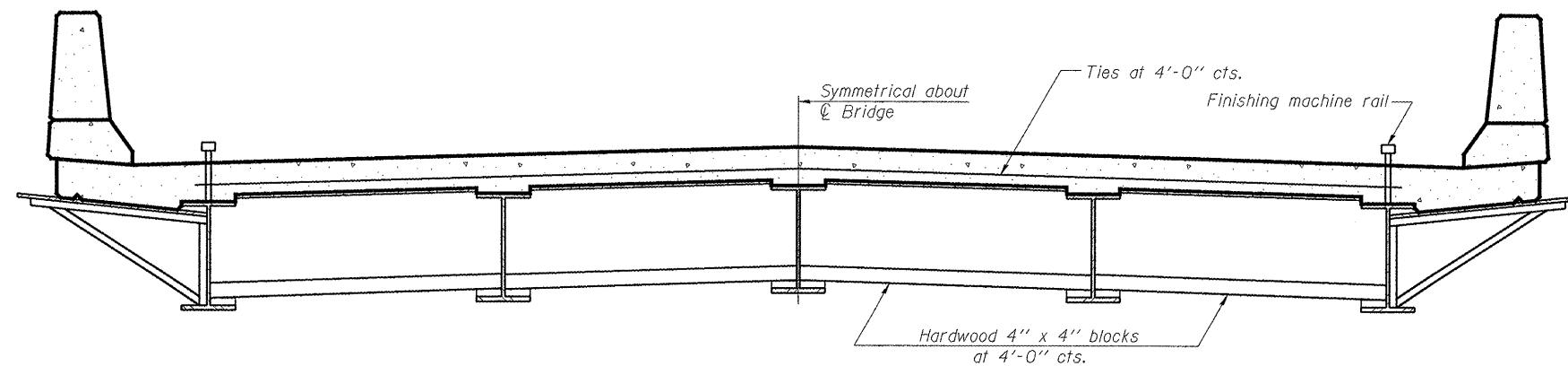
The finishing machine rails shall be placed on the top flange of the exterior beams.

The beams or girders, supporting cantilever forming brackets, shall be tied together at 4 foot intervals.

For Standard construction, or Stage Construction the Hardwood bracing materials shall be placed as shown between webs of beams in each bay.



**FORM BRACES FOR
STAGE CONSTRUCTION**



**FORM BRACES FOR
STANDARD CONSTRUCTION**

HURST-ROSCHKE ENGINEERS, INC.
HILLSBORO, ILLINOIS 62049
(217)532-3959 FAX (217)532-3212
HR JOB # 190-1785

HR
HURST-ROSCHKE
ENGINEERS, INC.

SB-1

7-1-10

FILE NAME =	USER NAME =	DESIGNED - JSP	REVISED -
		CHECKED - CJC	REVISED -
		DRAWN - UJ	REVISED -
		CHECKED - RVB	REVISED -

**STATE OF ILLINOIS
DEPARTMENT OF TRANSPORTATION**

**CANTILEVER FORMING BRACKETS FOR SUPERSTRUCTURES WITH
W27 BEAMS AND SMALLER STRUCTURE NO. 036-0071**

F.A.P. RTE.	SECTION	COUNTY	TOTAL SHEETS	SHEET NO.
522	(14-1-B1) BR	HENDERSON	70	39
CONTRACT NO. 68298				

SHEET NO. 26 OF 27 SHEETS

ILLINOIS FED. AID PROJECT