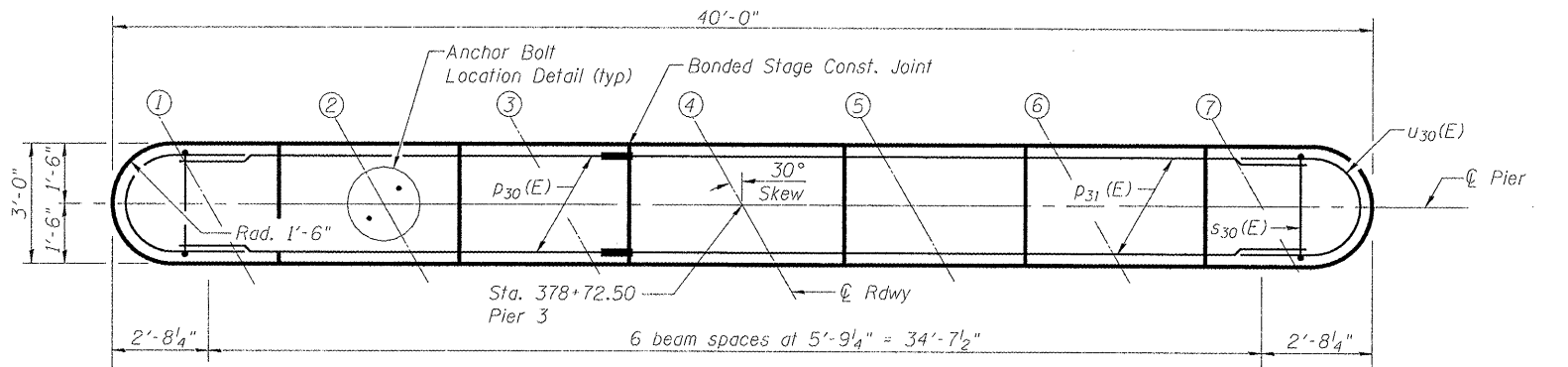


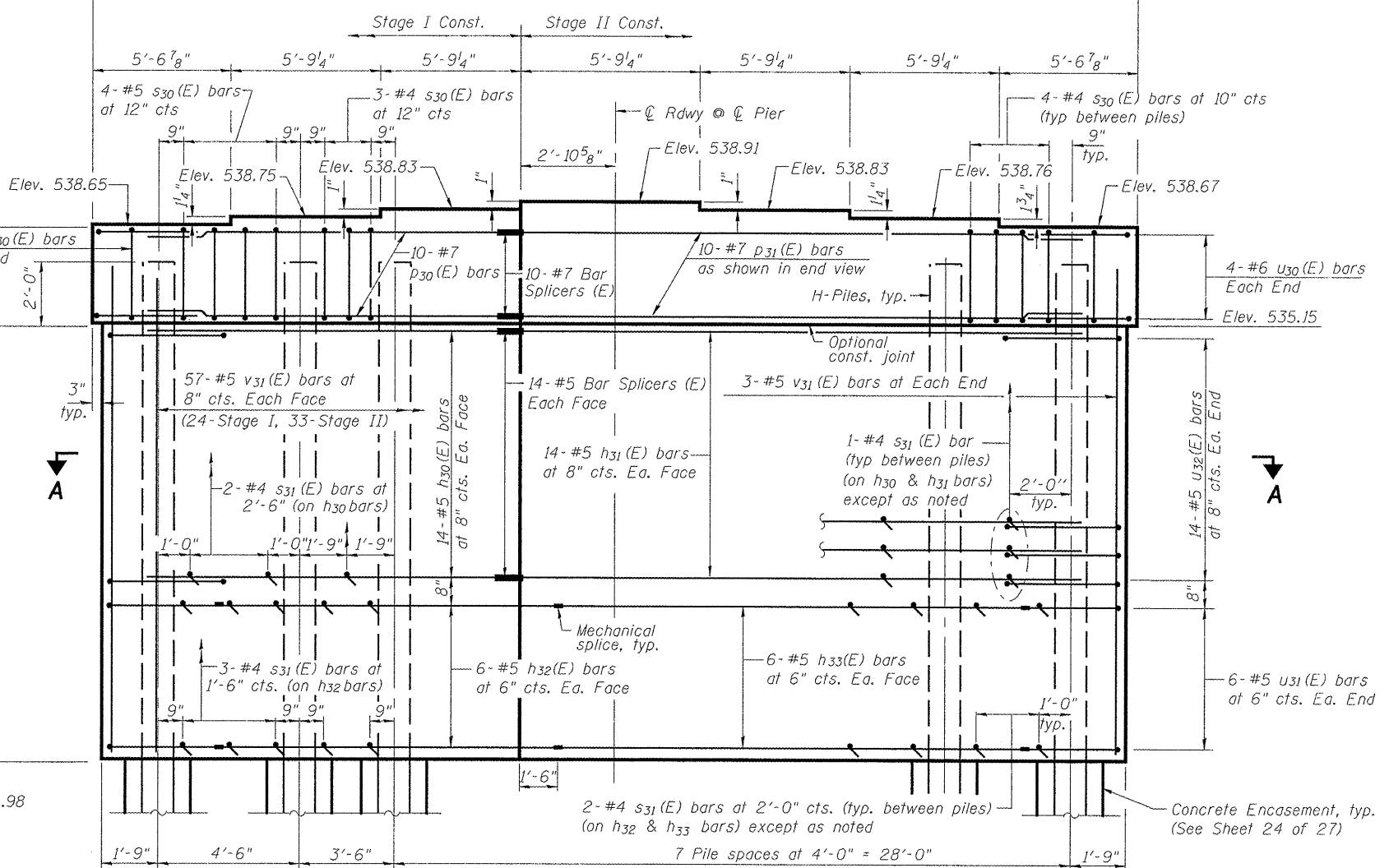
PIER 3 PILE DATA

Type: HP14x73
 Nominal Required Bearing: 242 kips
 Factored Resistance Available: 128 kips
 Est. Length: 87'
 No. Production Piles: 9
 ** No. Test Piles: 1

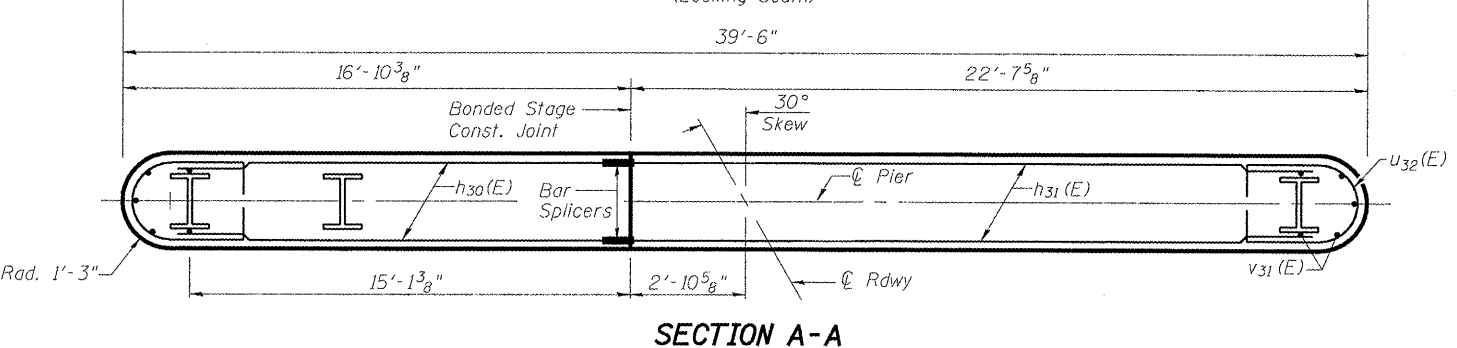
**Test Pile shall be driven in conformance with Special Provision, Dynamic Pile Monitoring. Minimum waiting period = 10 days.



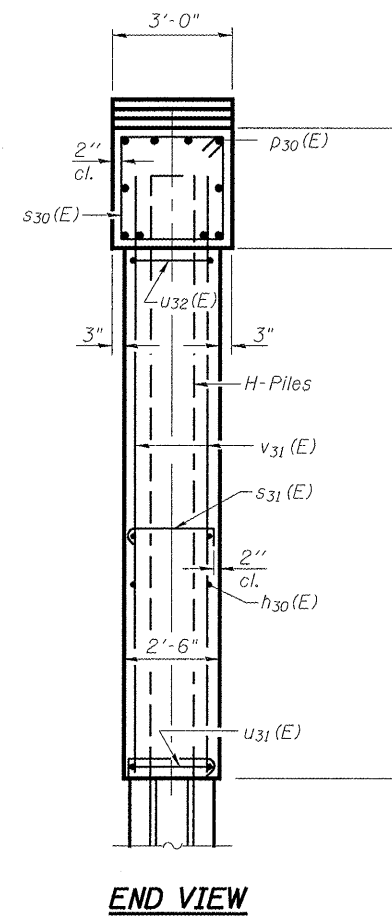
TOP PLAN



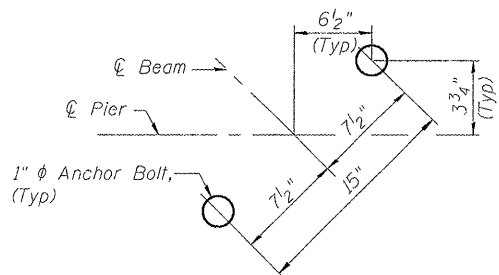
ELEVATION
(Looking South)



SECTION A-A



END VIEW



ANCHOR BOLT LOCATION DETAIL

BILL OF MATERIAL

Bar	No.	Size	Length	Shape
h30(E)	28	#5	15'-7"	—
h31(E)	28	#5	21'-4"	—
h32(E)	12	#5	15'-0"	—
h33(E)	12	#5	17'-9"	—
p30(E)	10	#7	15'-10"	—
p31(E)	10	#7	21'-7"	—
s30(E)	38	#4	12'-5"	□
s31(E)	254	#4	2'-11"	┌┐
u30(E)	8	#6	13'-1"	U
u31(E)	12	#5	7'-8"	U
u32(E)	28	#5	9'-4"	U
v31(E)	120	#5	14'-2"	—
Structure Excavation			Cu. Yd.	15
Concrete Structures			Cu. Yd.	59.7
Concrete Encasement			Cu. Yd.	5.5
Reinforcement Bars, Epoxy Coated			Pound	5,365
Furnishing Steel Piles HP14x73			Foot	783
Driving Piles			Foot	783
** Test Pile Steel HP14x73			Each	1
Underwater Structure Excavation			Each	1
Protection-Location 3				

Notes:

If a portion of the pier wall or concrete encasement is underwater, reinforcement may be placed underwater into forms. Concrete shall be tremied according to Article 503.08 of the Standard Specifications to an elevation of 1'-0" above the water line at the time of construction. Space reinforcement in cap to miss anchor bolts. Pour steps monolithically with cap. For details of piles, see sheet 24 of 27. For details of reinforcement, (s30, s31, u30, u31 & u32) see sheet 20 of 27.

HURST-ROSCHKE ENGINEERS, INC.
 HILLSBORO, ILLINOIS 62049
 (217)532-3959 FAX (217)532-3212
 HR JOB # 190-1785

FILE NAME =	USER NAME =	DESIGNED - JSP	REVISED -	STATE OF ILLINOIS DEPARTMENT OF TRANSPORTATION	PIER 3 STRUCTURE NO. 036-0071	F.A.P. RTE. =	SECTION =	COUNTY =	TOTAL SHEETS =	SHEET NO. =	
	PLOT SCALE =	CHECKED - CJC	REVISED -			522	(14-1-B1) BR	HENDERSON	70	35	
	PLOT DATE =	DRAWN - UJ	REVISED -			CONTRACT NO. 68298					
		CHECKED - RVB	REVISED -			ILLINOIS FED. AID PROJECT					