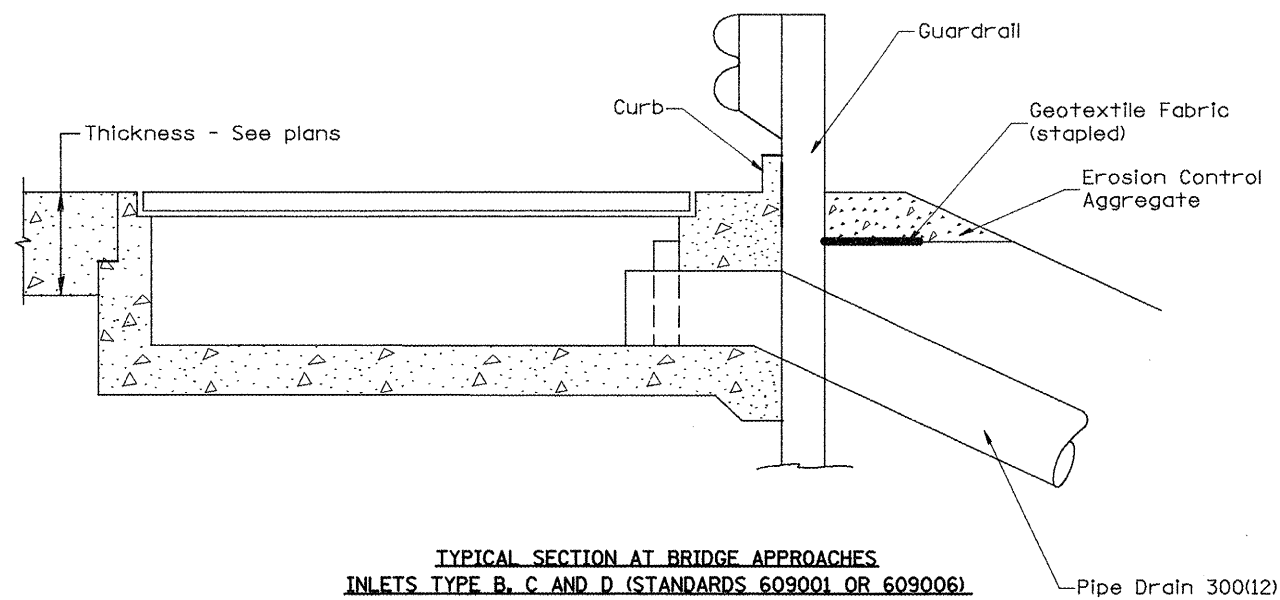
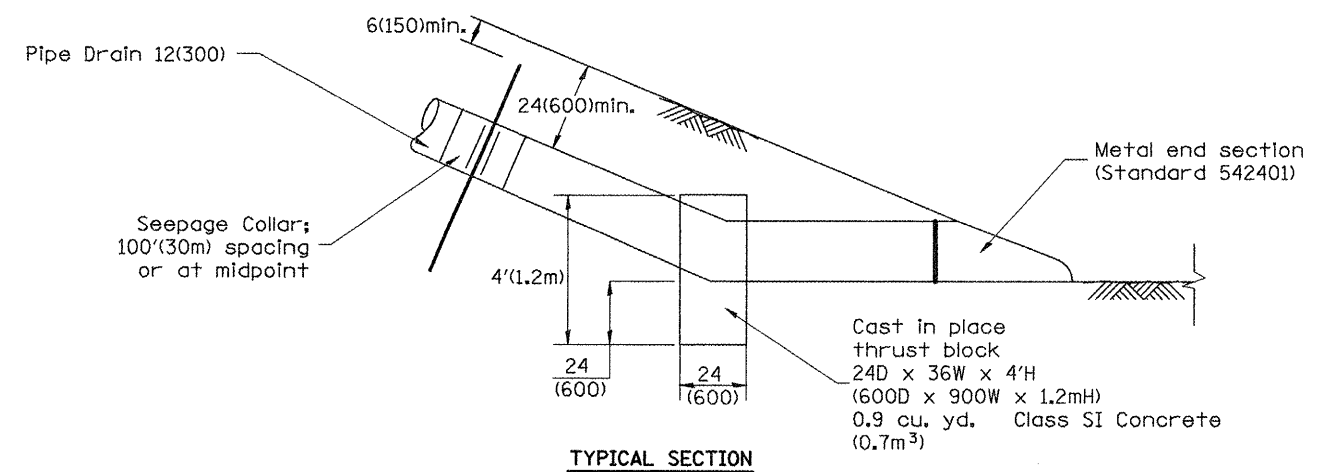


**TYPICAL SECTION WITH EROSION CONTROL CURB
AT INLETS TYPE E AND F (STANDARD 610001)**



**TYPICAL SECTION AT BRIDGE APPROACHES
INLETS TYPE B, C AND D (STANDARDS 609001 OR 609006)**



TYPICAL SECTION

GENERAL NOTES

1. The material for Pipe Drains shall be bituminous coated galvanized corrugated steel culvert pipe or bituminous coated corrugated aluminum alloy pipe in accordance with Article 601.02(f) or 601.02(i).
2. An approved mastic material (Article 1055.01) shall be applied to the inside of the connecting bands.

All dimensions are in inches (millimeters) unless otherwise noted.

QUANTITIES

CALC. BY: _____ DATE: _____
CHECKED BY: _____ DATE: _____

QUANTITY CALCULATIONS ARE ON FILE AT THE DISTRICT 4 OFFICE; BUREAU OF PROJECT IMPLEMENTATION; DOCUMENTATION SECTION

01-01-97	RENUM. H-1.04, NEW REVISION BOX, REVISED TITLE	T.P.		
	BOX, REVISED DESIGNER NOTES, ADDED QUANTITY			
	CALCULATION BOX			
10-16-06	REVISED TO 2007 SPEC.	M.A.		

**STATE OF ILLINOIS
DEPARTMENT OF TRANSPORTATION**

SLOPE DRAIN DETAILS FOR BURIED PIPES

NOT TO SCALE

CADD STD. 601101-D4

F.A.P. RTE.	SECTION	COUNTY	TOTAL SHEETS	SHEET NO.
534	109B (BR-2), 109B (BR-3)	HENDERSON	88	69
CONTRACT NO. 68083				
FED. ROAD DIST. NO.		ILLINOIS FED. AID PROJECT		