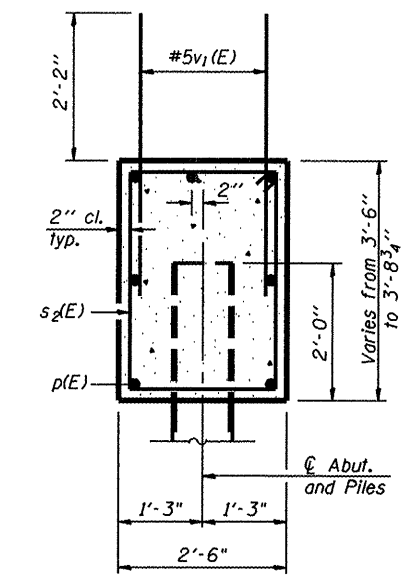
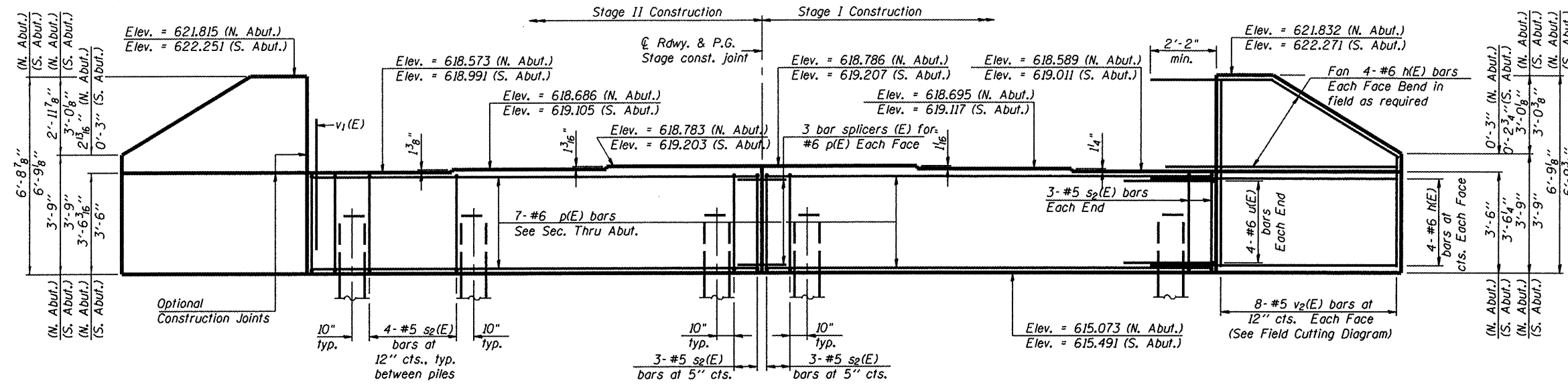


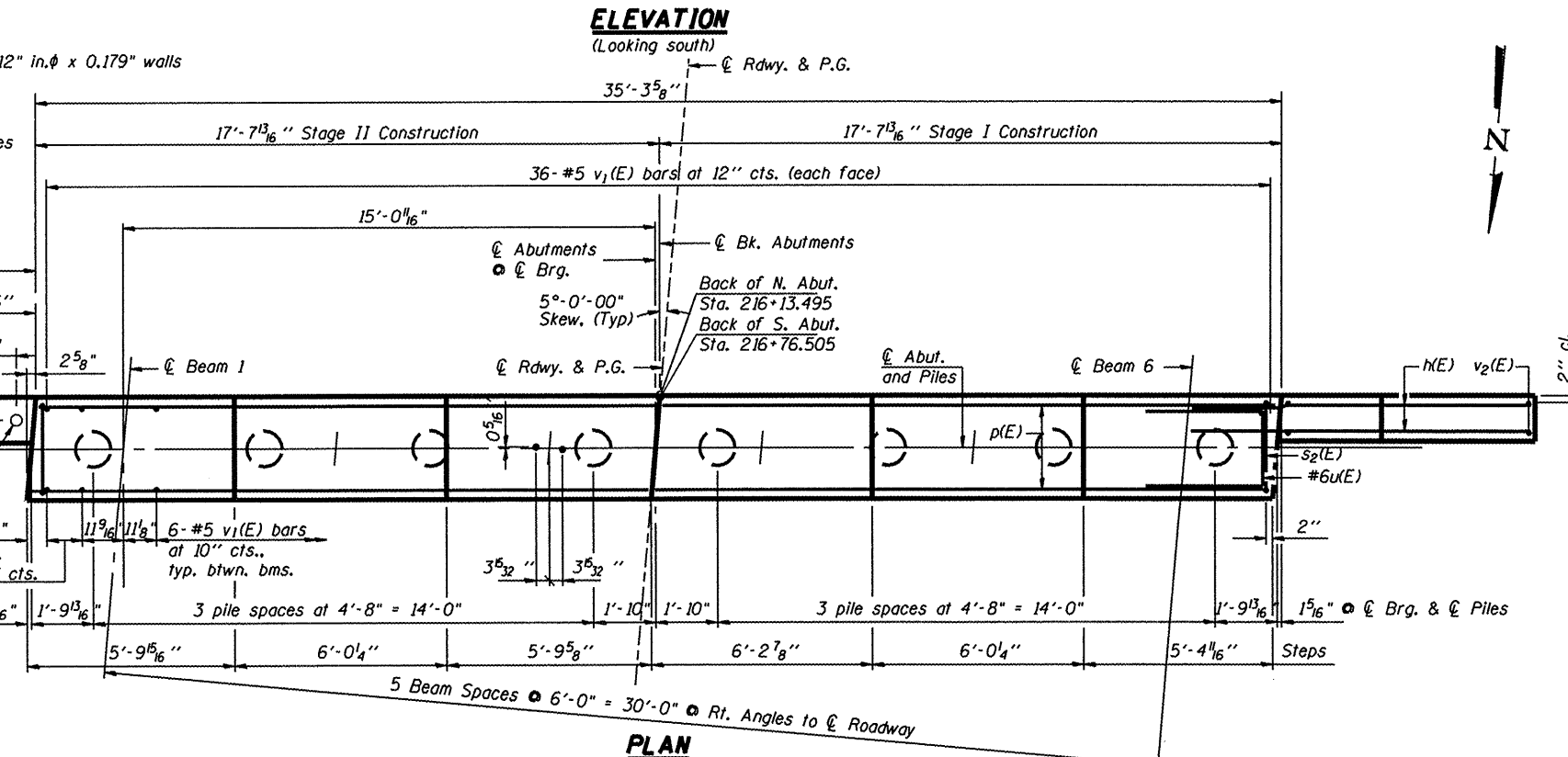
Notes: Four steps monolithically with cap.
Reinforcement bars designated (E)
shall be epoxy coated.



SEC. THRU ABUT.
(Dimensions at Rt. L's unless otherwise shown)

PILE DATA

Type & Size: Metal Shell - 12" in. ϕ x 0.179" walls
Nominal Required Bearing: 330 kips
Allowable Resistance Available: 110 kips
Est. Length: 55 Ft.
No. Required: 14 x 2 Test Piles



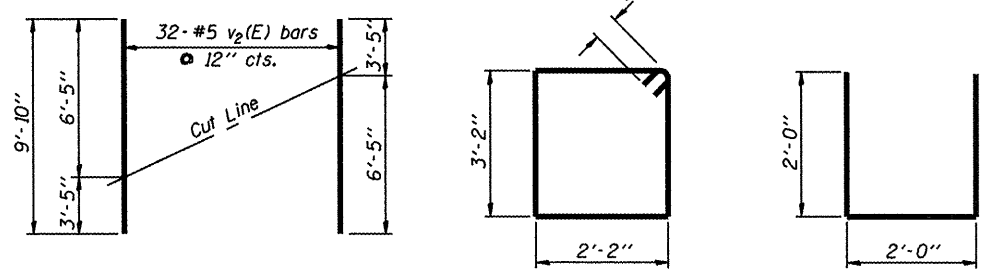
MIN. BAR LAPS

- #4 bar = 1'-4"
- #5 bar = 1'-8"
- #6 bar = 2'-0"
- #8 bar = 3'-5"

**BILL OF MATERIAL
TWO ABUTMENTS**

Bar	No.	Size	Length	Shape	
n(E)	64	#6	10'-8"	—	
p(E)	28	#6	17'-3"	—	
s2(E)	72	#5	11'-7"	□	
u(E)	16	#6	6'-0"	—	
v1(E)	144	#5	4'-4"	—	
v2(E)	32	#5	9'-10"	—	
Concrete Structures				Cu. Yd.	30.0
Reinforcement Bars, Epoxy Coated				Pound	3740
Structure Excavation				Cu. Yd.	154
Furnish Metal Shell Piles 12" x 0.179				Foot	770
Driving Piles				Foot	770
Test Pile Metal Shells				Each	2

Notes:
Space reinforcement in cap to miss anchor bolts.
Reinforcement bars designated (E) shall be epoxy coated.
Four steps monolithically with cap.
See sheet 11 of 15 for bar splicer details.



FIELD CUTTING DIAGRAM
Order v2(E) full length. Cut as shown and use remainder of bars in opposite face.



FILE NAME: #FILE#	USER NAME: #USER#	DESIGNED: -	REVISED: -	STATE OF ILLINOIS DEPARTMENT OF TRANSPORTATION	NORTH AND SOUTH ABUTMENTS IL 94 OVER WOLF CREEK S.N. 036-0055	F.A.P. RTE.:	SECTION:	COUNTY:	TOTAL SHEETS:	SHEET NO.:	
		DRAWN: -	REVISED: -			534	1098 (BR3)	HENDERSON	88	35	
		CHECKED: -	REVISED: -			SCALE:	SHEET NO. 10 OF 15 SHEETS	STA. 216+45	CONTRACT NO. 68083		
		DATE: -	REVISED: -			ILLINOIS FED. AID PROJECT					