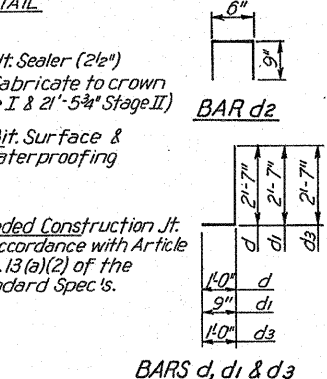
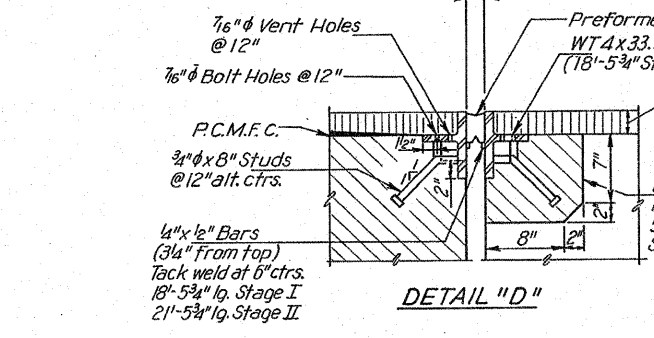
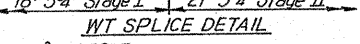
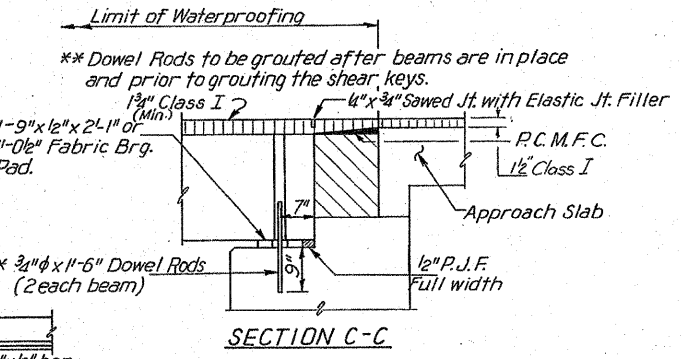
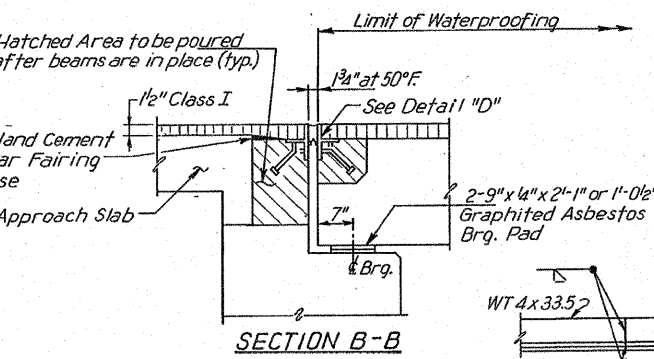
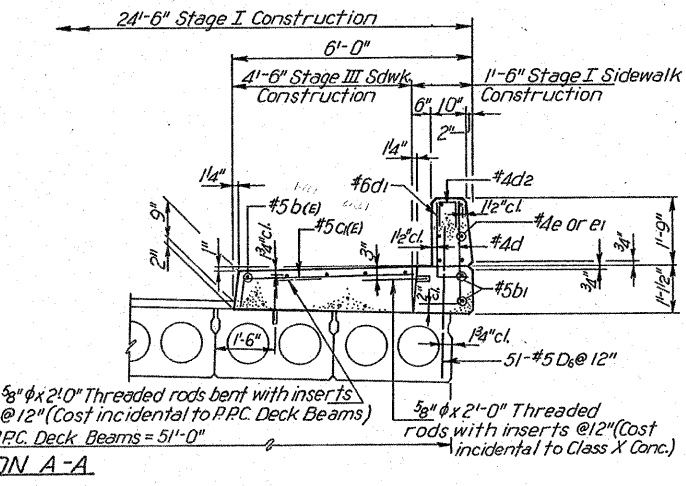
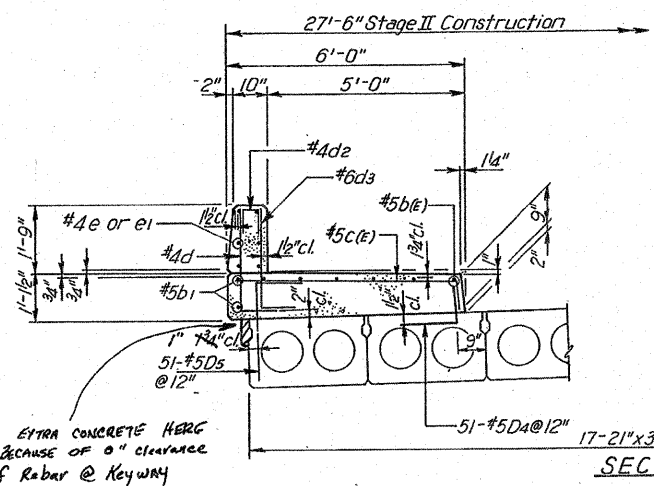
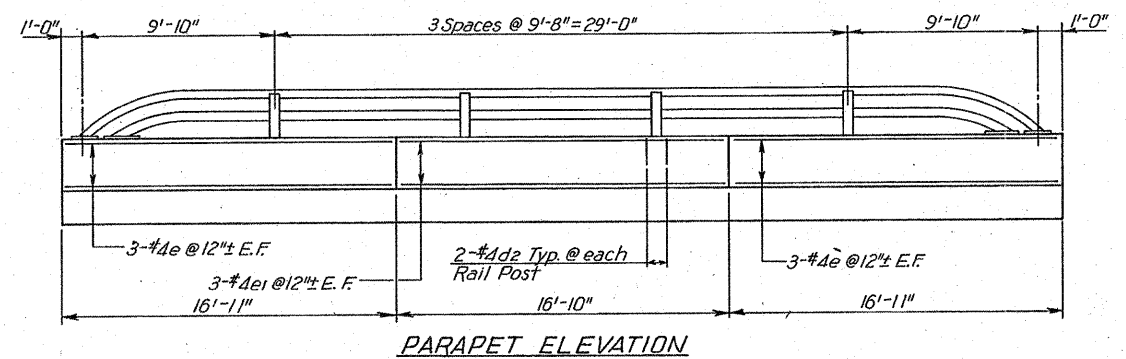
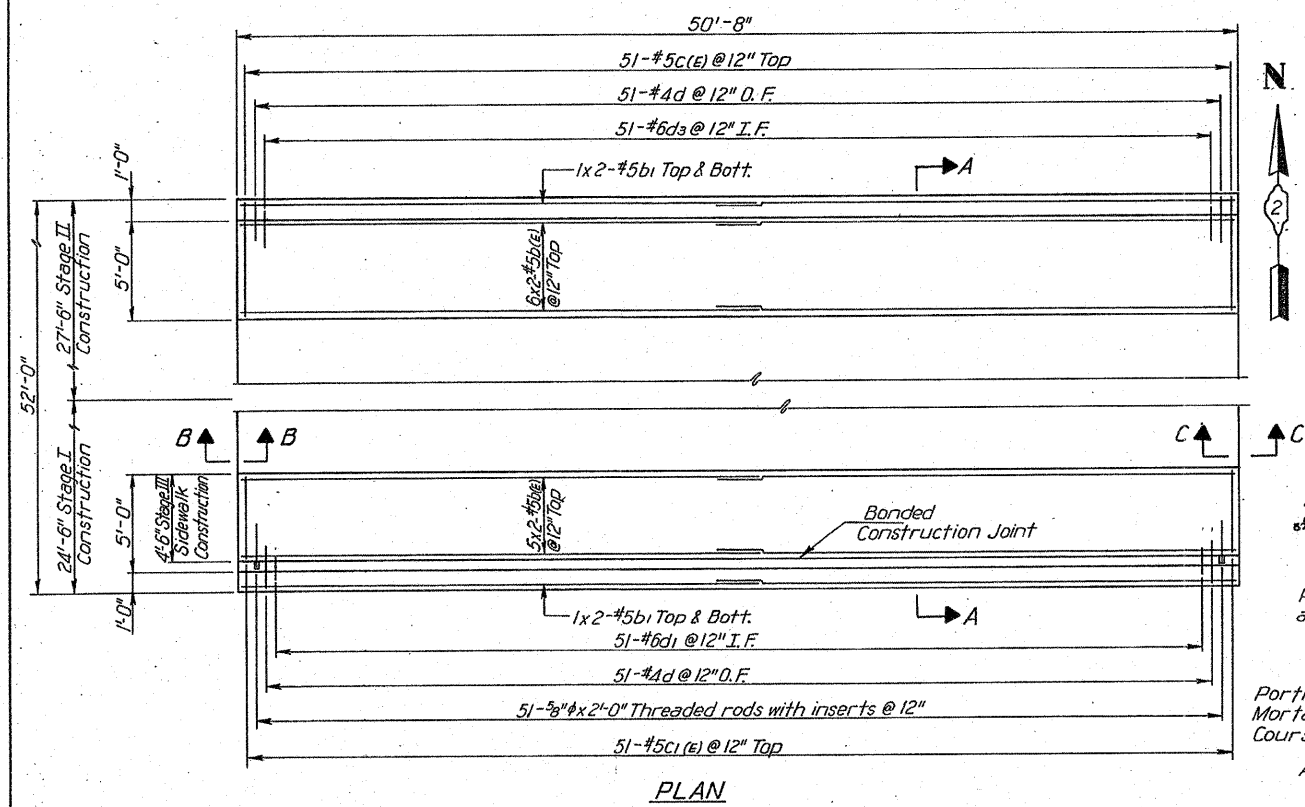
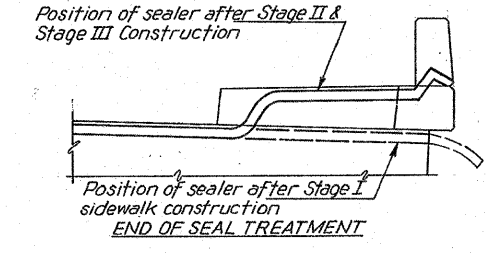
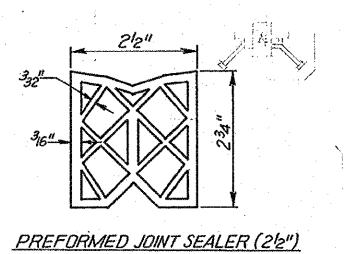
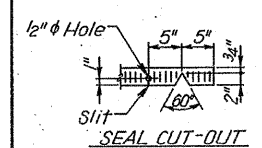


STATE OF ILLINOIS  
DEPARTMENT OF TRANSPORTATION

ROUTE NO.	SECTION	COUNTY	TOTAL SHEETS	SHEET NO.	SHEET NO. 4
R. 17	126(B-1)R	DEKALB	16	12	SHEETS 8
F.A. 17					
FED. ROAD DIST. NO. 1	ILLINOIS	FED. AID PROJECT			

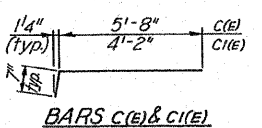


BAR	No.	SIZE	LENGTH	SHAPE
b(e)	22	#5	26'-11"	—
b1	8	#5	26'-11"	—
c(e)	51	#5	6'-3"	┌
c1(e)	51	#5	4'-9"	┌
d	102	#4	3'-7"	J
d1	51	#6	3'-4"	J
d2	16	#4	2'-0"	J
d3	51	#6	3'-7"	J
e	24	#4	16'-8"	—
e1	12	#4	16'-7"	—
Reinforcement Bars			Lbs.	1410
Reinf. bars (epoxy coated)			Lbs.	1180
Class X Concrete			Cu. Yds.	29.0



PREFORMED JOINT SEALER DETAILS

Notes:  
Dimensions are at right angles.  
Hatched areas to be poured after beams have been erected and joints grouted.  
Bars indicated thus 20x3-#5etc. indicates 20 lines of bars with 3 lengths per line.  
Reinforcement bars designated (e) shall be epoxy coated. See Special Provisions.  
For Beam Details see Sht. No. 3  
For Railing Details see Sht. No. 5  
All reinforcement bars placed in P.P.C. beams shall be considered incidental to P.C.C. beams.



NAME	DATE

DECK DETAILS II  
F.A. ROUTE 17 (ILL. 64)  
SECTION 126 (B-1) R  
DEKALB COUNTY  
STA. 78+50.00

SCALE: VERT. HORIZ.  
DATE 7-22-81

DESIGNED J.M.P.  
CHECKED S.F.  
DRAWN K.A.C.  
CHECKED J.M.P.