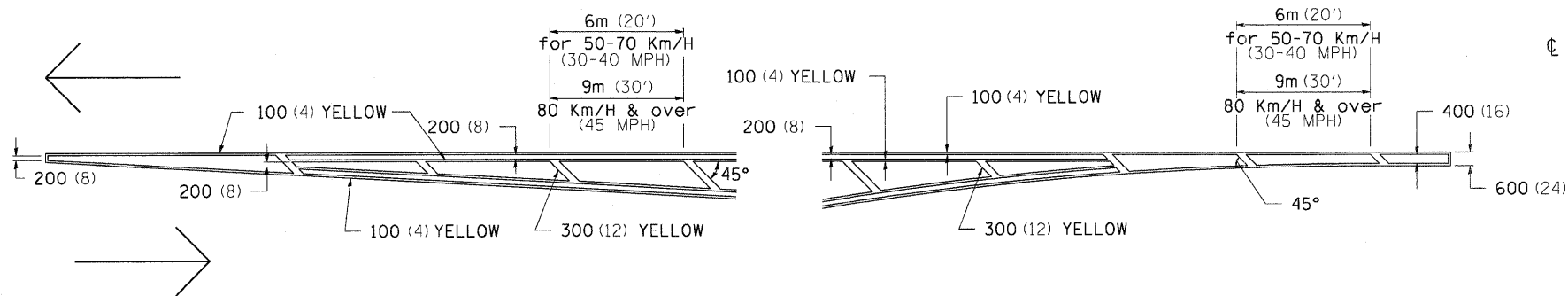
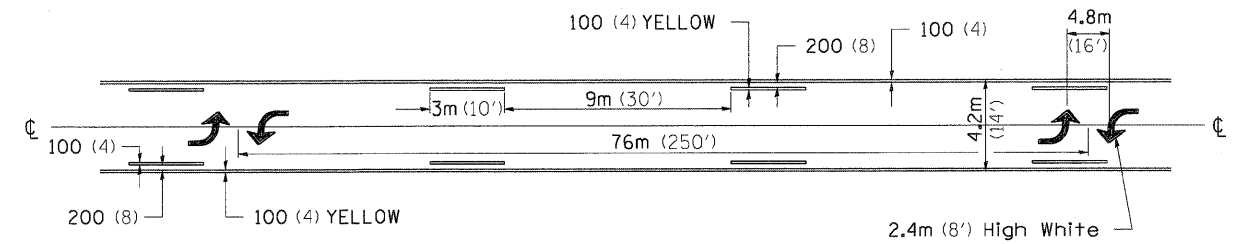


TYPICAL PAVEMENT MARKINGS

TYPICAL PAVEMENT MARKING FOR FLUSH MEDIAN AT LEFT TURN LANE

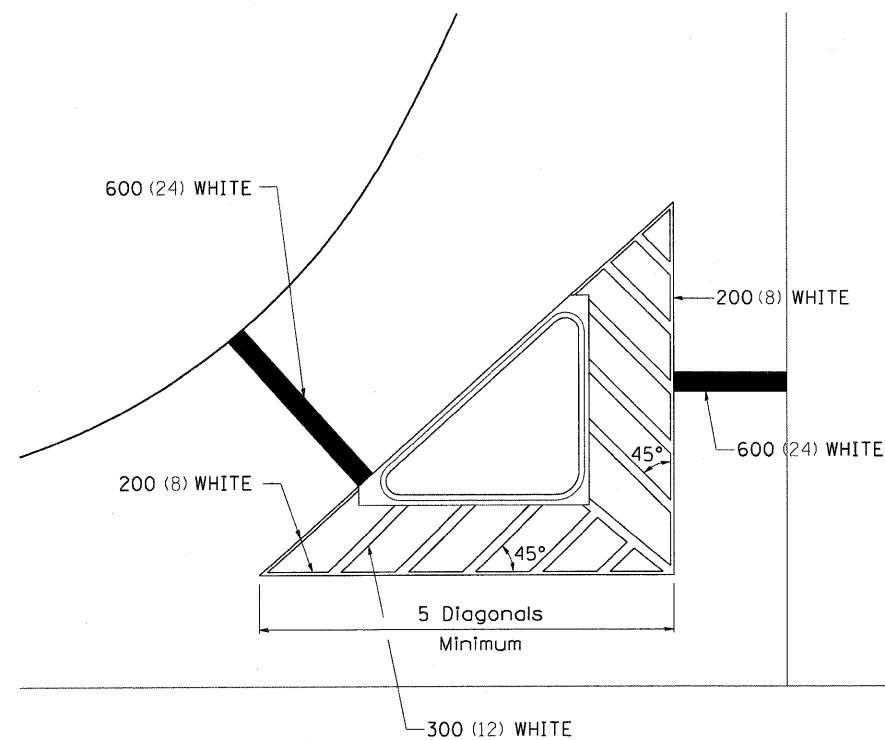


MEDIAN PAVEMENT MARKING

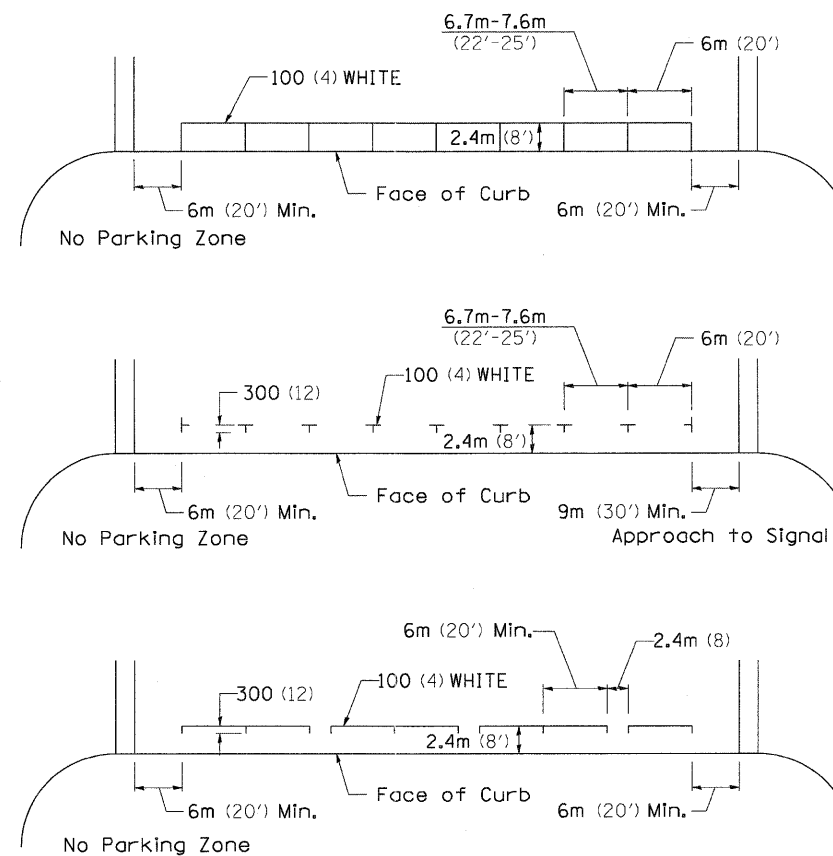


•• ALL DIMENSIONS ARE IN MILLIMETERS (INCHES) UNLESS OTHERWISE NOTED.

TYPICAL ISLAND OFFSET SHOULDER WIDTH

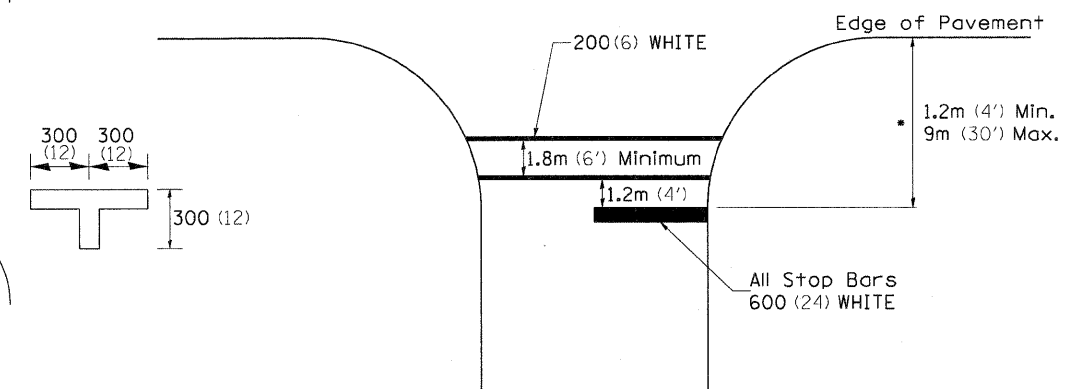


TYPICAL PARKING SPACING



STANDARD CROSSWALK MARKING

See Schedules for Locations



• Distance to the nearest edge of the intersecting roadway in the absence of a marked crosswalk.

FILE NAME = D264B80-shr-DistStd6.dgn	USER NAME = dwoznuski	DESIGNED - DRAWN -	REVISED - REVISED -	10-21-08	STATE OF ILLINOIS DEPARTMENT OF TRANSPORTATION	REGION 2 / DISTRICT 2 STANDARD		F.A.P. RTE. 646	SECTION 1B-2	COUNTY WHITESIDE	TOTAL SHEETS 257	SHEET NO. 248	
PLOT SCALE = 50.00 "/td> <td>CHECKED -</td> <td>REVISED -</td> <td>REVISED -</td> <td></td> <td>SCALE:</td> <td>SHEET NO. 1 OF 3 SHEETS</td> <td>STA.</td> <td>TO STA.</td> <td colspan="4" style="text-align: center;">CONTRACT NO. 64B80</td>	CHECKED -	REVISED -	REVISED -			SCALE:	SHEET NO. 1 OF 3 SHEETS	STA.	TO STA.	CONTRACT NO. 64B80			
PLOT DATE = 7/14/2011	DATE - 2-22-201	REVISED -	REVISED -			FED. ROAD DIST. NO. ILLINOIS FED. AID PROJECT							