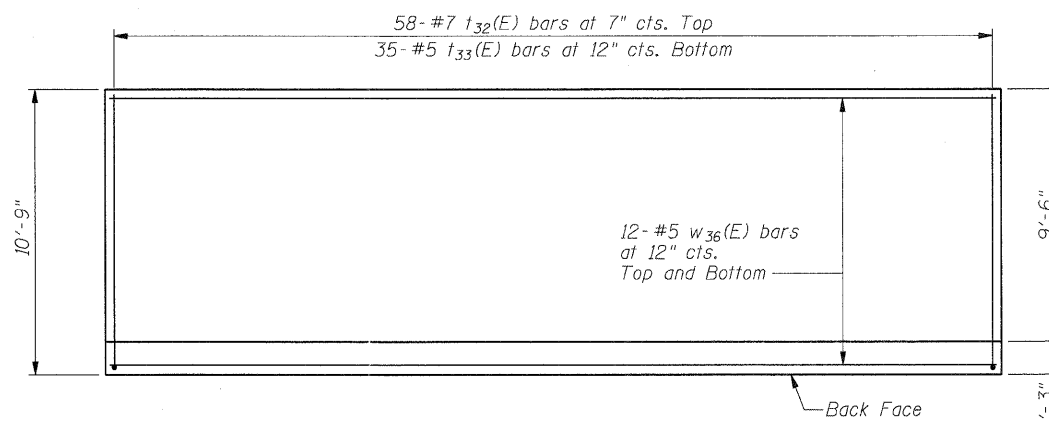
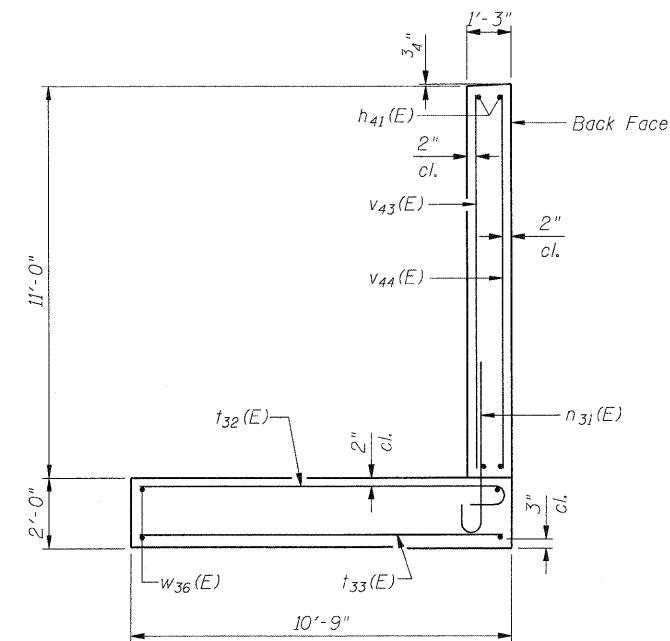
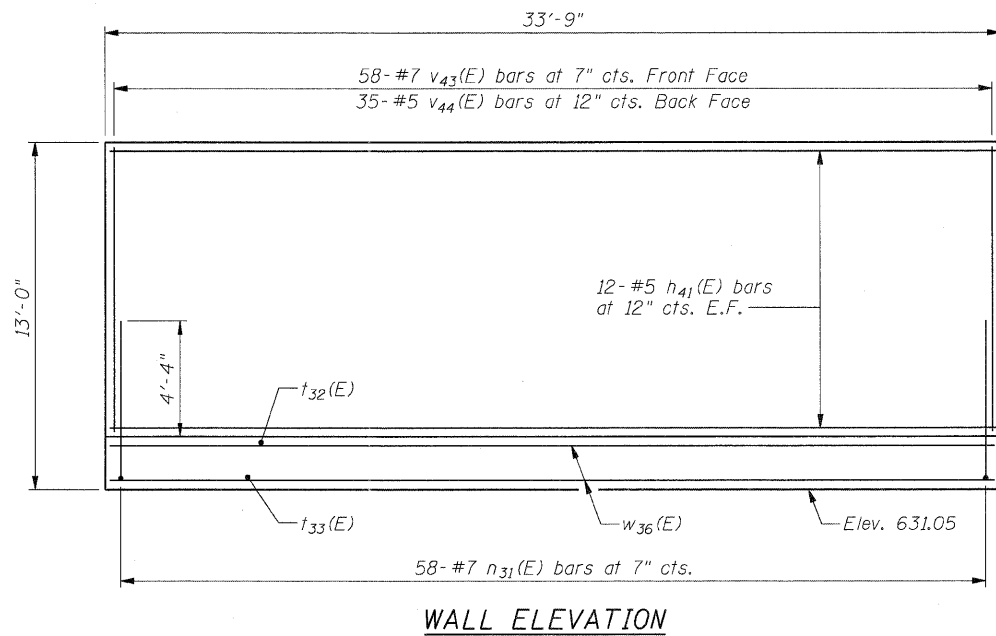
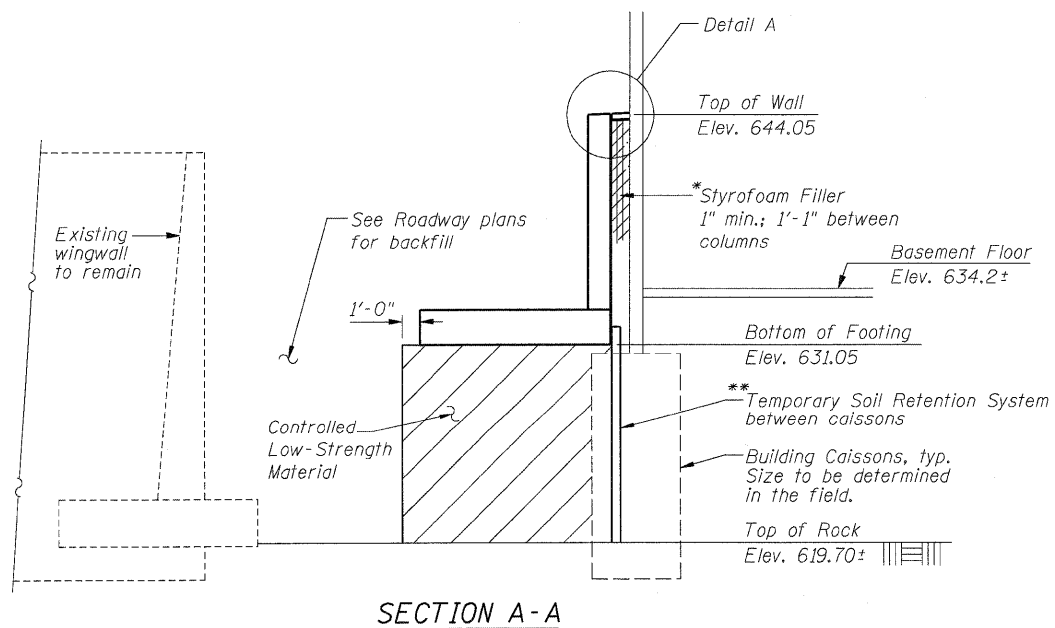
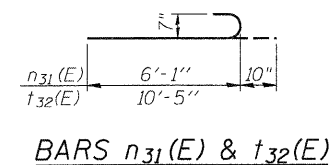
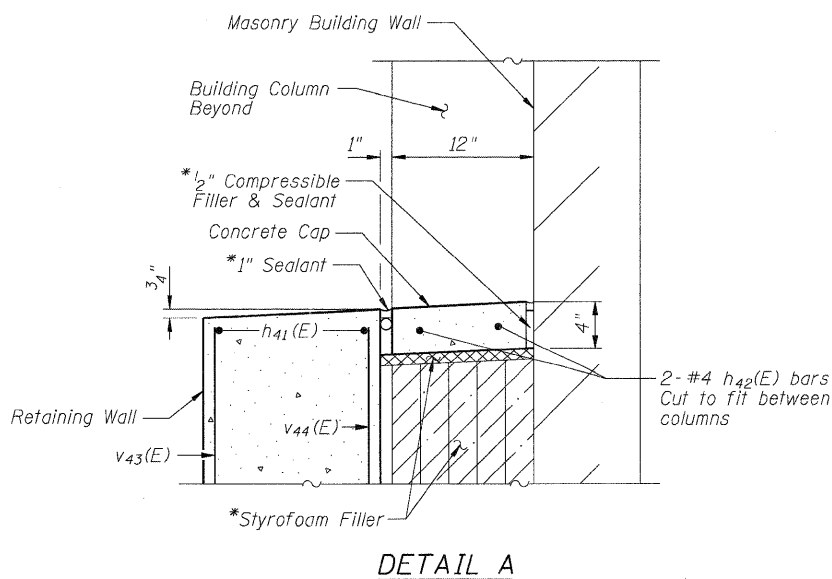


\* Cost included in Concrete Structures

\*\*Temporary Soil Retention System shall be put in place before Special Waste Removal.  
See roadway plans for limits and quantity of Special Waste Removal.



Wall reinforcement not shown for clarity



Note:  
Hatching denotes limits of Controlled  
Low-Strength Material.

**NORTH ABUTMENT  
RETAINING WALL  
BILL OF MATERIAL**

Bar	No.	Size	Length	Shape
h <sub>41</sub> (E)	24	#5	33'-5"	—
h <sub>42</sub> (E)	2	#4	33'-5"	—
n <sub>31</sub> (E)	58	#7	6'-11"	—
t <sub>32</sub> (E)	58	#7	11'-3"	—
t <sub>33</sub> (E)	35	#5	10'-5"	—
v <sub>43</sub> (E)	58	#7	10'-8"	—
v <sub>44</sub> (E)	35	#5	10'-8"	—
w <sub>36</sub> (E)	24	#5	33'-5"	—
Concrete Structures		Cu. Yd.	44.4	
Reinforcement Bars, Epoxy Coated		Pound	5910	
Temporary Soil Retention System		Sq. Ft.	590	
Controlled Low-Strength Material		Cu. Yd.	166.7	

**CB** Coombe-Bloxdorf P.C.  
-CIVIL ENGINEERS-  
-STRUCTURAL ENGINEERS-  
-LAND SURVEYORS-  
Design Firm License No. 184-002703

FILE NAME =  
D264888-shr-retwall.dgn

USER NAME = dwoznarski

DESIGNED - FMC  
CHECKED - MCB

REVISED -  
REVISED -

PLOT SCALE = 5/8" = 1' / IN.

DRAWN - FMC/MML

REVISED -  
REVISED -

PLOT DATE = 7/18/2011

CHECKED - MCB  
REVISED -

STATE OF ILLINOIS  
DEPARTMENT OF TRANSPORTATION

RETAINING WALL AT NORTH ABUTMENT (LAWRENCE)

SHEET NO. 80 OF 103 SHEETS

F.A.P. RTE.	SECTION	COUNTY	TOTAL SHEETS	SHEET NO.
646	1B-2	WHITESIDE	257	183
			CONTRACT NO. 64B80	

ILLINOIS FED. AID PROJECT

CB PROJECT NO 09055