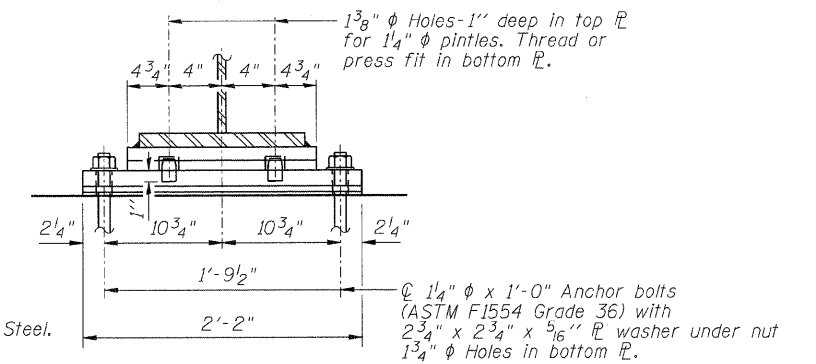
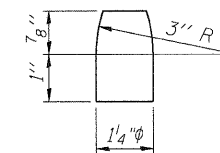


ELEVATION AT PIER 4



SECTION A-A

FIXED BEARING



PINTLE

Notes:

Anchor bolts shall be ASTM F1554 all-thread (or an Engineer-approved alternate material) of the grade(s) and diameter(s) specified. ASTM A307 Grade C anchor bolts may be used in lieu of ASTM F1554 Grade 36 (Fy=36ksi). The corresponding specified grade of AASHTO M314 anchor bolts may be used in lieu of ASTM F1554.

Anchor bolts at fixed bearings may be either cast in place or installed in holes drilled after the supported member is in place.

Drilled and set anchor bolts shall be installed according to Article 521.06 of the Standard Specifications.

The structural steel plates and pintles shall conform to the requirements of AASHTO M 270 Grade 50

Two 1/8 in. adjusting shims shall be provided for each bearing in addition to all other plates or shims and placed as shown on bearing details.

BILL OF MATERIAL

Item	Unit	Total
Anchor Bolts 1 1/4"	Each	20

FILE NAME = D264880-sht-brgpier4.dgn	USER NAME = dwozniarski	DESIGNED - ACB	REVISED -	<b>STATE OF ILLINOIS DEPARTMENT OF TRANSPORTATION</b>	<b>BEARING DETAILS - PIER 4 STRUCTURE NO. 098-0115</b>	F.A.P. RTE.	SECTION	COUNTY	TOTAL SHEETS	SHEET NO.
	PLOT SCALE = 1:8000' / IN.	CHECKED - JMB	REVISED -			646	1B-2	WHITESIDE	257	168
	PLOT DATE = 7/18/2011	DRAWN - RLK	REVISED -			CONTRACT NO. 64B80				
	CHECKED - ACB	REVISED -		SHEET NO. 65 OF 103 SHEETS						
ILLINOIS FED. AID PROJECT										