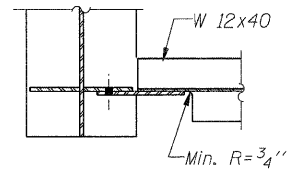
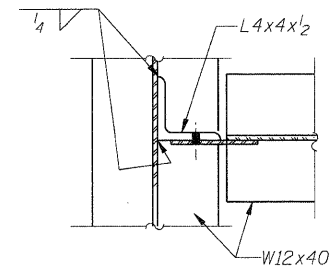


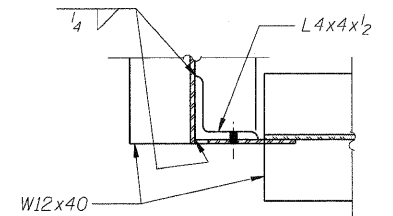
TYPICAL SCENIC OVERLOOK FRAMING PLAN



SECTION A-A

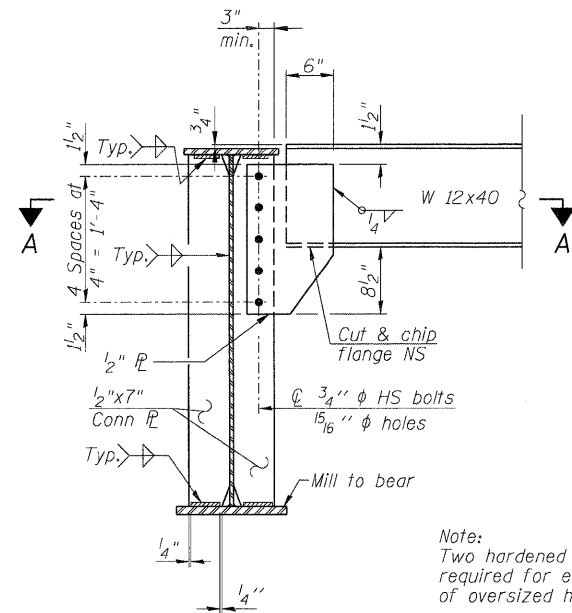


(Interior Diaphragm)

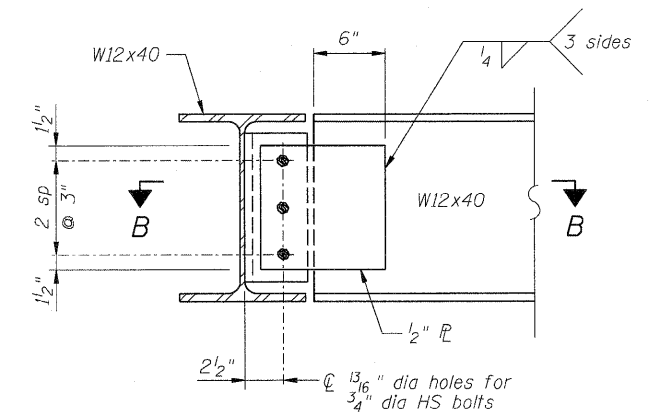


(End Diaphragm)

SECTION B-B



CONNECTION DETAIL 1



CONNECTION DETAIL 2

Note:
Structural steel shall be AASHTO M270 Grade 50 for the web plate girders and full depth connection plates.

FILE NAME =
D264880-sht-frmgdt1s4.dgn

USER NAME = dwozniarski

DESIGNED - ACB
CHECKED - JMB

REVISED -
REVISED -
REVISED -
REVISED -

PLOT SCALE = 2.0000' / IN.
PLOT DATE = 7/18/2011

DRAWN - RLK
CHECKED - ACB

STATE OF ILLINOIS
DEPARTMENT OF TRANSPORTATION

FRAMING DETAILS (SHEET 4 OF 4)
STRUCTURE NO. 098-0115

SHEET NO. 60 OF 103 SHEETS

F.A.P. RTE.	SECTION	COUNTY	TOTAL SHEETS	SHEET NO.
646	IB-2	WHITESIDE	257	163
				CONTRACT NO. 64B80
ILLINOIS FED. AID PROJECT				