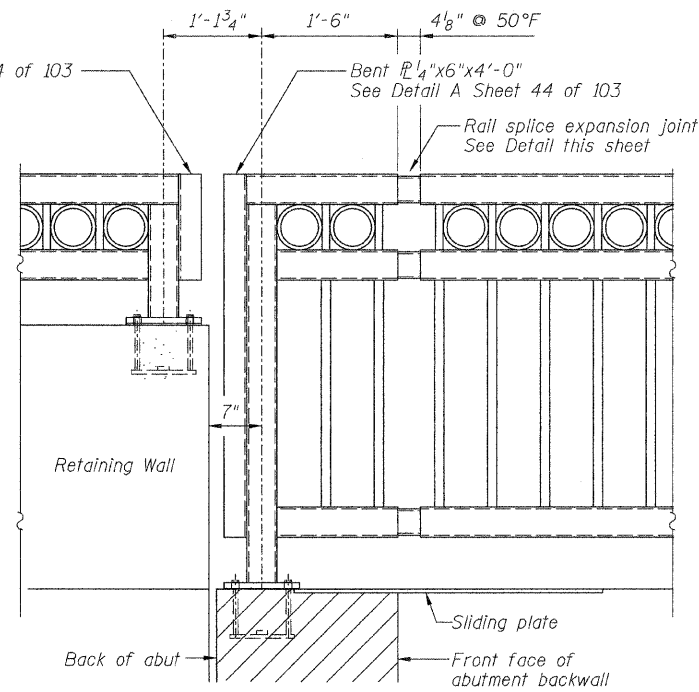
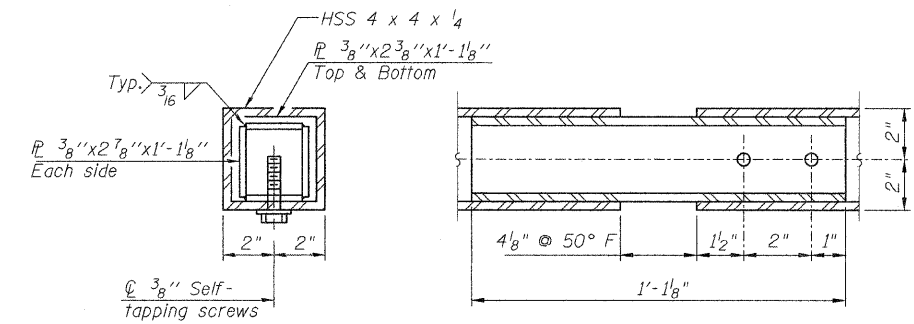


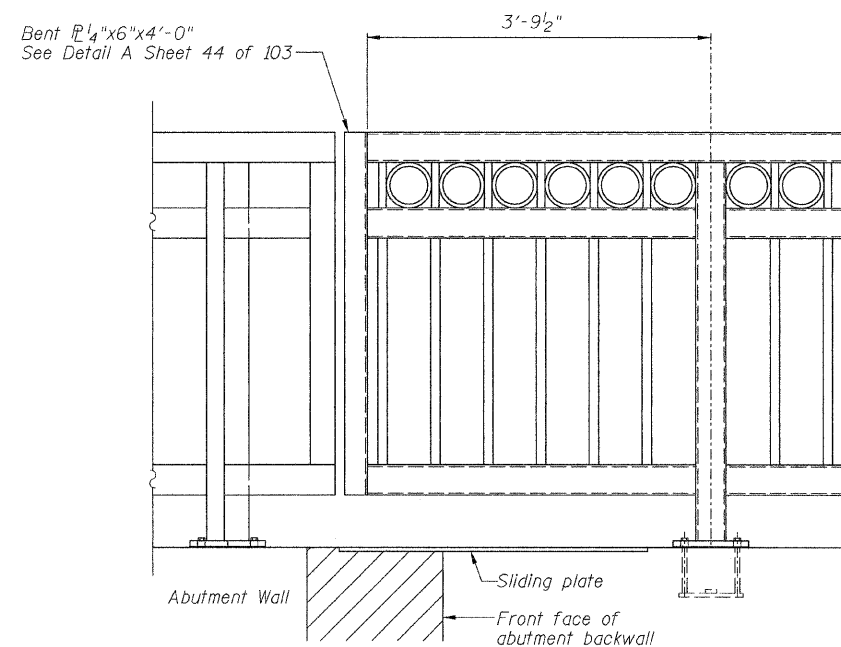
**PARTIAL ELEVATION OF SIDEWALK RAILING  
AT SOUTHEAST CORNER**  
(Looking East)



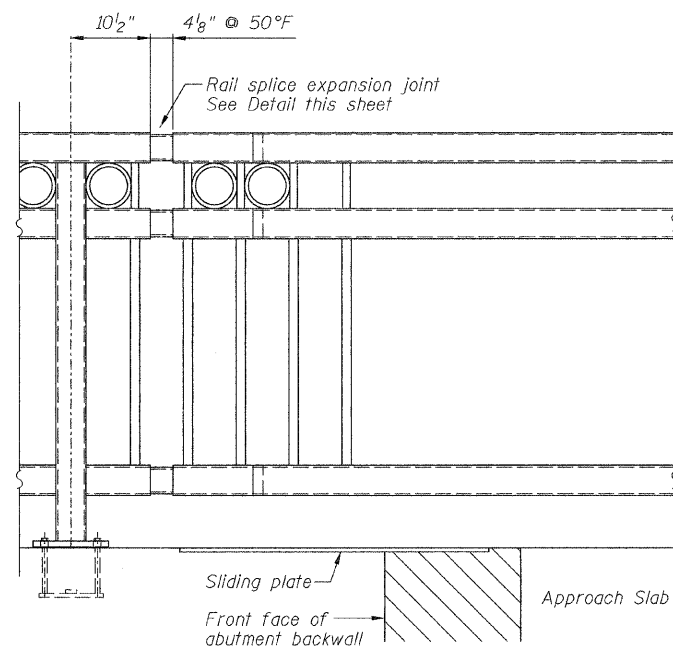
**PARTIAL ELEVATION OF SIDEWALK RAILING  
AT SOUTHWEST CORNER**  
(Looking West)



**RAIL SPLICE CONNECTION AT EXPANSION JOINT**  
(Typ at top, middle and bottom rails)



**PARTIAL ELEVATION OF SIDEWALK RAILING  
AT NORTHEAST CORNER**  
(Looking East)



**PARTIAL ELEVATION OF SIDEWALK RAILING  
AT NORTHWEST CORNER**  
(Looking West)

FILE NAME =  
D264880-shr-railing3.dgn

USER NAME = dwoznarski  
PLOT SCALE = 1.0000' / in.  
PLOT DATE = 12/6/2011

DESIGNED - ACB  
CHECKED - JMB  
DRAWN - RLK  
CHECKED - ACB

REVISED -  
REVISED -  
REVISED -  
REVISED -

**STATE OF ILLINOIS  
DEPARTMENT OF TRANSPORTATION**

**DECORATIVE STEEL RAILING DETAILS (SHEET 3 OF 4)  
STRUCTURE NO. 098-0115**

SHEET NO. 45 OF 103 SHEETS

F.A.P. RTE.	SECTION	COUNTY	TOTAL SHEETS	SHEET NO.
646	IB-2	WHITESIDE	257	148
CONTRACT NO. 64B80				
ILLINOIS FED. AID PROJECT				