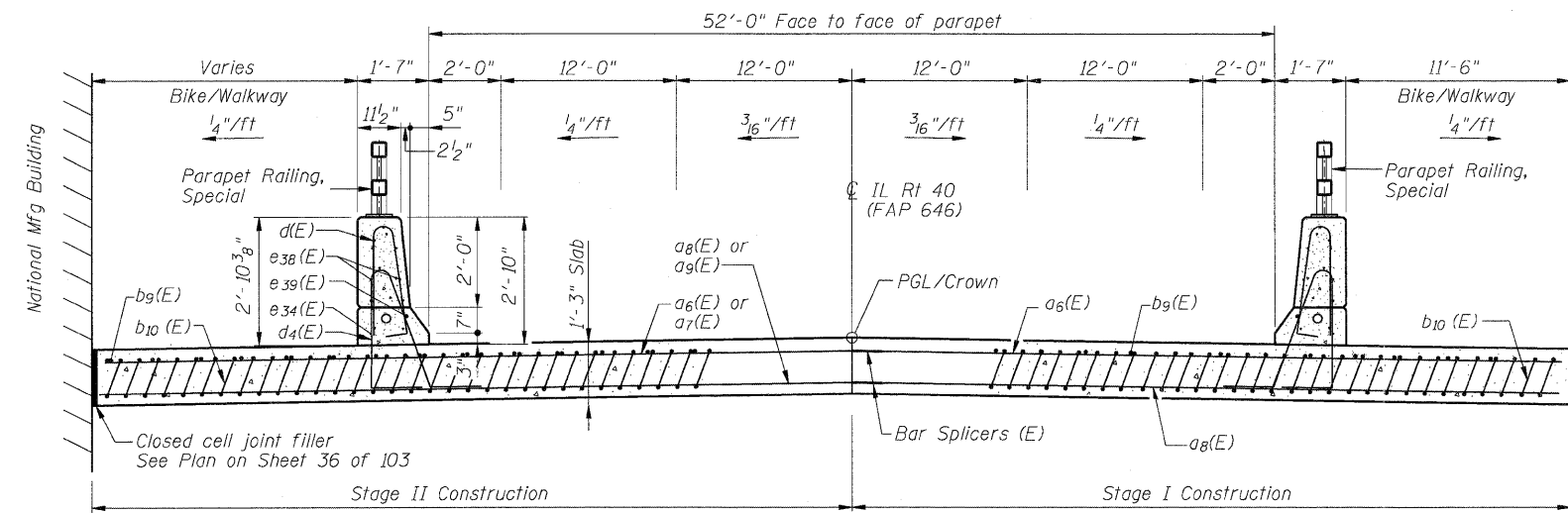
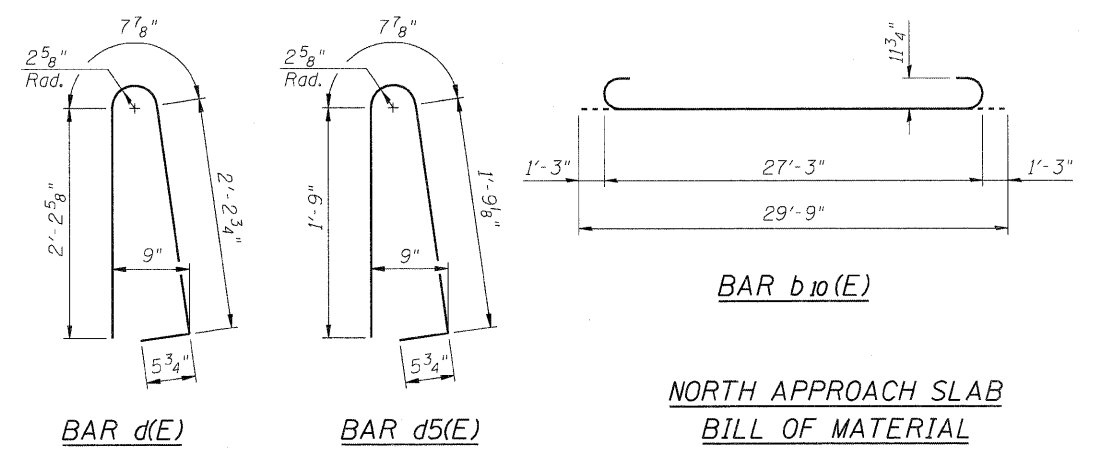
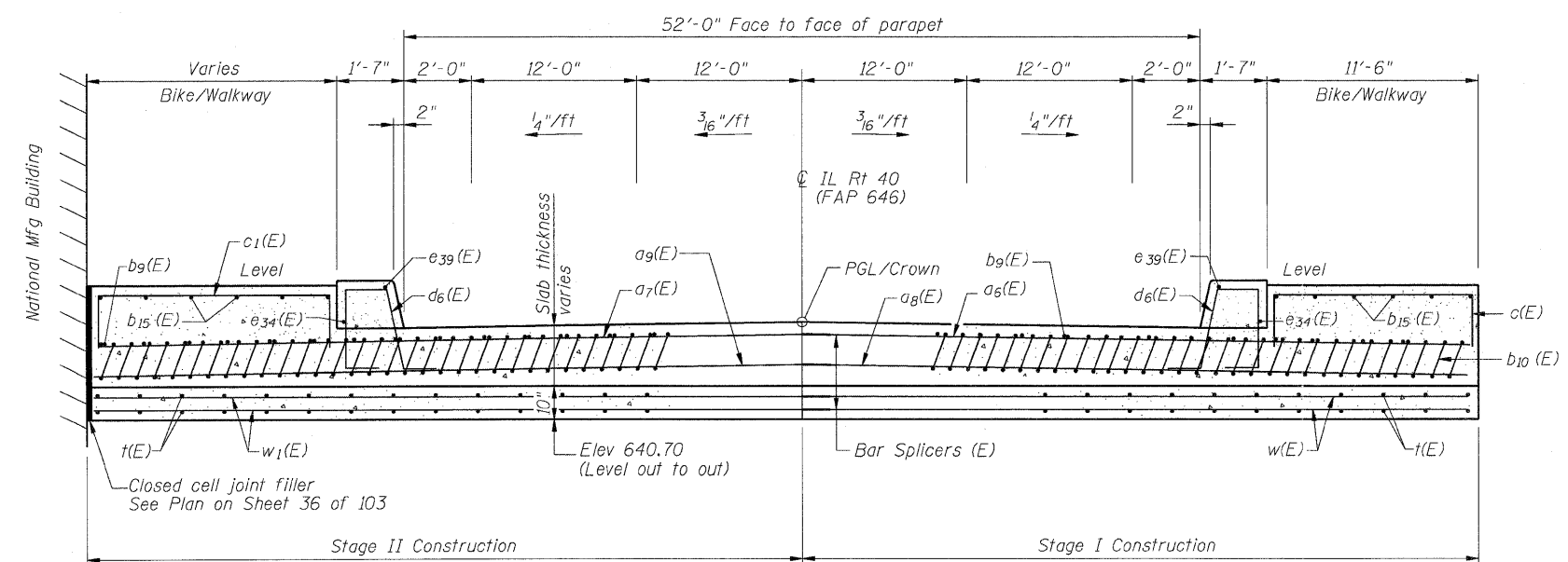


* Tilt #9 b₁₀(E) bars as required to maintain clearance.
 *** Cost included with Concrete Superstructure.

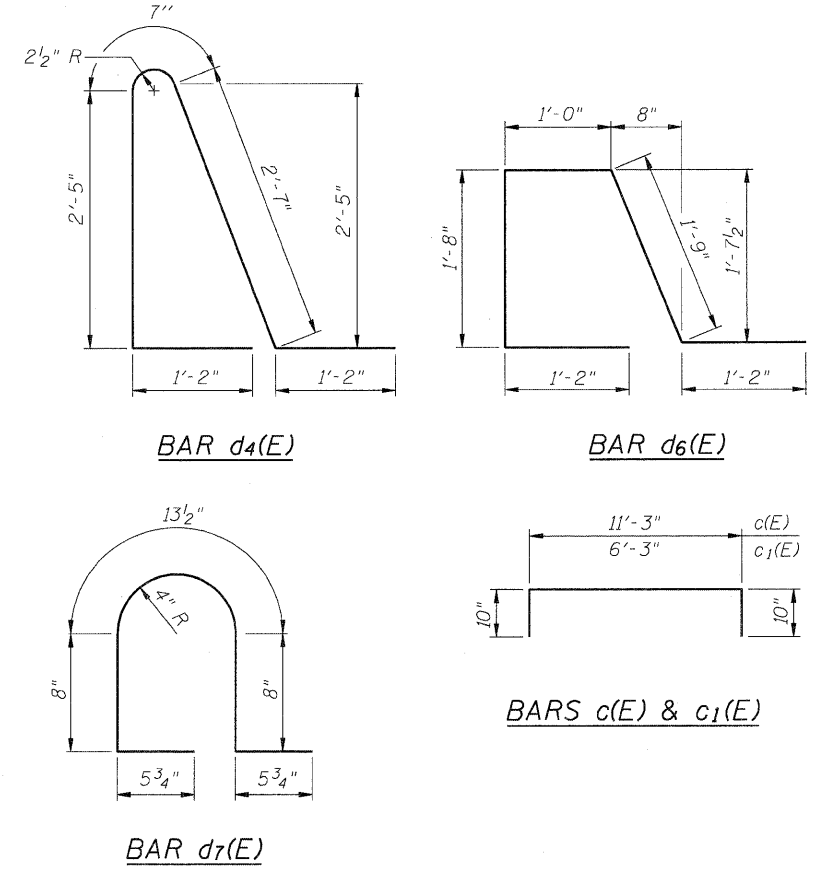
*** 10 mil. Polyethylene bond breaker on steel trowel finish



SECTION D-D
 (See Plan for dimensions not shown)



SECTION E-E
 (See Section K-K and Plan for dimensions not shown)



NORTH APPROACH SLAB
 BILL OF MATERIAL

Bar	No.	Size	Length	Shape
a ₆ (E)	28	#4	38'-9"	—
a ₇ (E)	22	#4	33'-9"	—
a ₈ (E)	50	#5	38'-9"	—
a ₉ (E)	42	#5	33'-9"	—
b ₉ (E)	60	#4	29'-8"	—
b ₁₀ (E)	175	#9	29'-9"	—
b ₁₅ (E)	16	#4	20'-0"	—
c(E)	9	#5	12'-11"	—
c ₁ (E)	9	#5	7'-11"	—
d(E)	30	#5	5'-7"	—
d ₄ (E)	46	#5	7'-11"	—
d ₅ (E)	10	#5	4'-8"	—
d ₆ (E)	20	#5	6'-9"	—
d ₇ (E)	12	#5	3'-5"	—
e ₇ (E)	14	#4	16'-8"	—
e ₃₄ (E)	2	#4	30'-2"	—
e ₃₈ (E)	14	#4	10'-1"	—
e ₃₉ (E)	2	#8	30'-2"	—
t(E)	150	#4	9'-8"	—
w(E)	40	#5	38'-9"	—
w ₁ (E)	40	#5	33'-9"	—
Concrete Superstructure		Cu. Yd.	125.2	
Concrete Structures		Cu. Yd.	22.6	
Reinforcement Bars, Epoxy Coated		Pound	29250	
Bridge Deck Grooving		Sq. Yd.	167	
Protective Coat		Sq. Yd.	257	

Notes:
 See sheet 36 of 103 for Detail A.
 Approach slab and parapet concrete shall be paid for as Concrete Superstructure.
 Approach footing concrete shall be paid for as Concrete Structures.
 Reinforcement shall be paid for as Reinforcement Bars, Epoxy Coated.
 For v₃₅(E) bar details, see sheet 68 of 103.
 The approach footing maximum applied service bearing pressure (Q_{max}) = 2.0 ksf.
 For bar splicer details, see sheet 82 of 103.
 Cost of excavation for approach footing included with Concrete Structures.
 For Porous Granular Embankment (Special) and drainage treatment details, see sheet 3 of 103.
 For additional parapet details, see sheet 32 of 103.

FILE NAME = D264980-sht-napproach2.dgn	USER NAME = dwozniarski	DESIGNED - ACB	REVISED -
PLOT SCALE = 8.2000' / IN.	DRAWN - RLK	CHECKED - JMB	REVISED -
PLOT DATE = 7/18/2011	CHECKED - ACB	DRAWN - RLK	REVISED -

STATE OF ILLINOIS
 DEPARTMENT OF TRANSPORTATION

NORTH APPROACH SLAB DETAILS (SHEET 2 OF 3)
 STRUCTURE NO. 098-0115

F.A.P. RTE. #	SECTION	COUNTY	TOTAL SHEETS	SHEET NO.
646	IB-2	WHITESIDE	257	140
			CONTRACT NO. 64B80	
ILLINOIS FED. AID PROJECT				