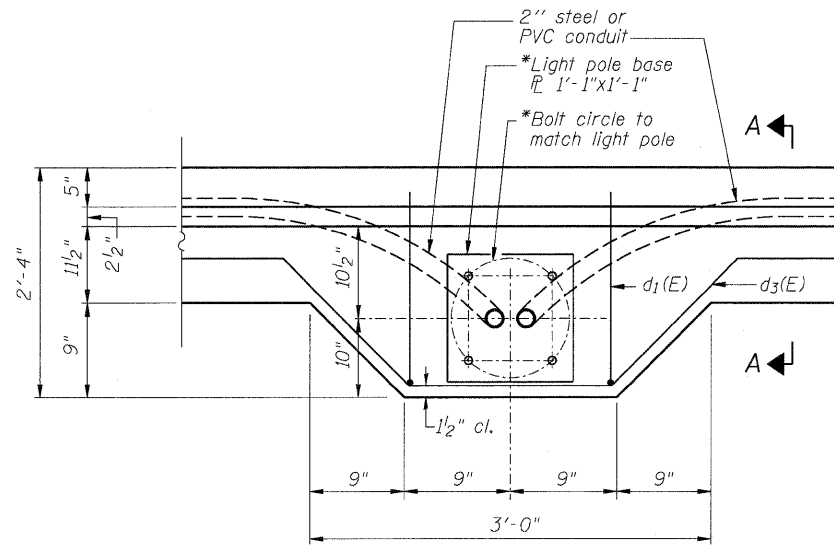
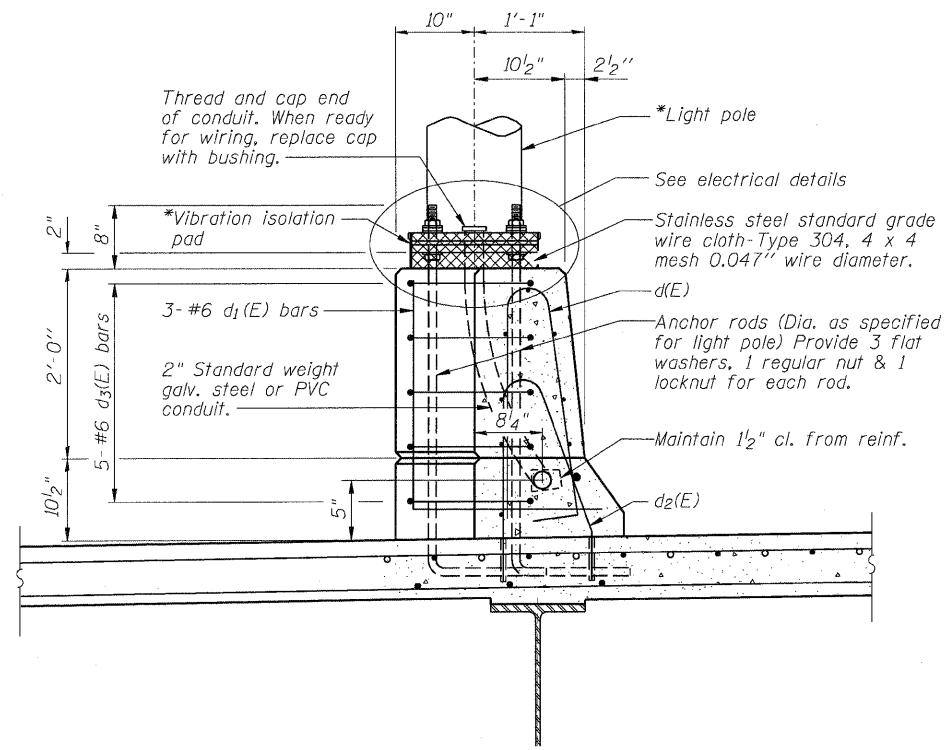


SUPERSTRUCTURE BILL OF MATERIAL

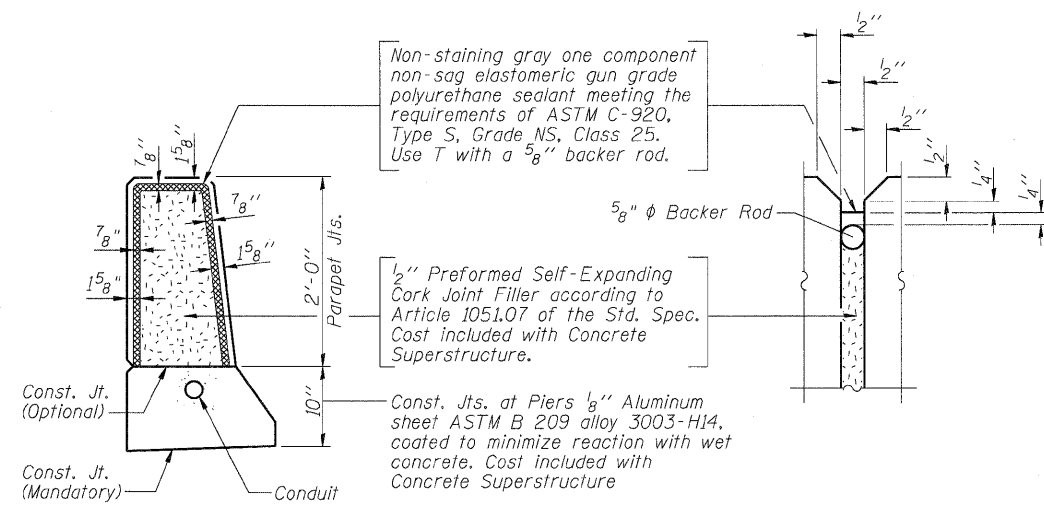


PLAN

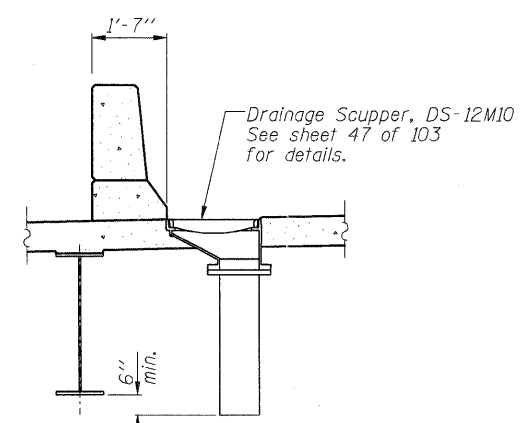
Note:
Cost of anchor rods and conduit is included with Concrete Superstructure.
* See electrical plans for light pole details and quantities.



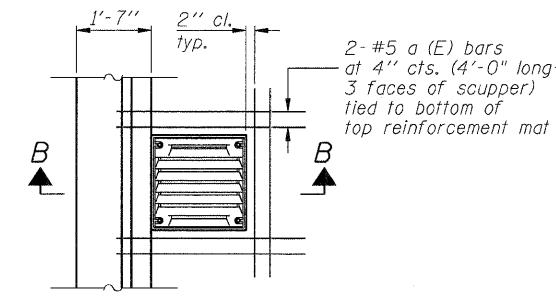
SECTION A-A



PARAPET JOINT DETAILS

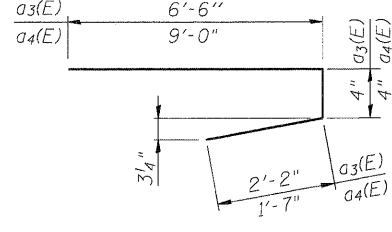


SECTION B-B

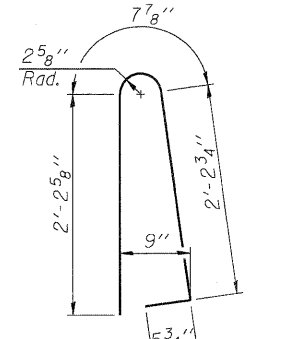


PLAN

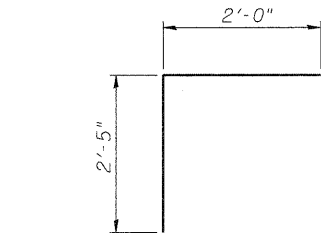
Note:
Cut longitudinal reinforcement to clear drainage scuppers.



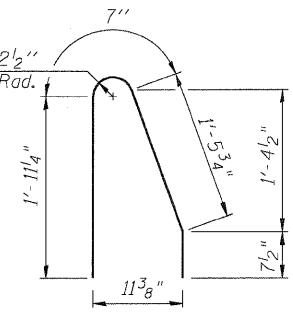
BARS a3(E) & a4(E)



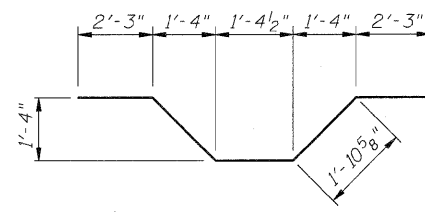
BAR d(E)



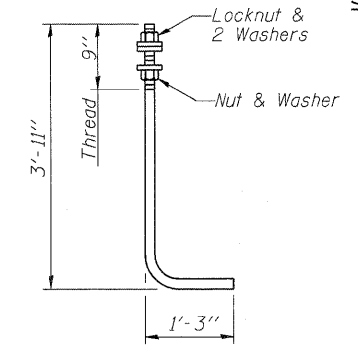
BAR d1(E)



BAR d2(E)



BAR d3(E)



ANCHOR ROD

Diameter as specified for light poles.
(ASTM F 1554 Grade 105)

| Bar | No. | Size | Length | Shape |
|----------------------------------|---------|------|---------|-------|
| a(E) | 156 | #5 | 4'-0" | — |
| a1(E) | 4464 | #5 | 38'-9" | — |
| a2(E) | 2730 | #5 | 38'-9" | — |
| a3(E) | 4460 | #5 | 9'-0" | — |
| a4(E) | 88 | #5 | 10'-11" | — |
| a5(E) | 56 | #5 | 8'-3" | — |
| b(E) | 3120 | #5 | 29'-6" | — |
| b1(E) | 234 | #6 | 28'-11" | — |
| b2(E) | 2800 | #5 | 29'-0" | — |
| b3(E) | 468 | #6 | 26'-5" | — |
| b4(E) | 234 | #6 | 24'-6" | — |
| b5(E) | 234 | #6 | 27'-5" | — |
| b6(E) | 468 | #6 | 25'-5" | — |
| b7(E) | 44 | #5 | 9'-8" | — |
| b8(E) | 20 | #6 | 9'-7" | — |
| d(E) | 2240 | #5 | 5'-7" | — |
| d1(E) | 84 | #6 | 4'-5" | — |
| d2(E) | 2240 | #5 | 4'-8" | — |
| d3(E) | 140 | #6 | 9'-8" | — |
| e(E) | 84 | #4 | 19'-5" | — |
| e1(E) | 32 | #4 | 19'-9" | — |
| e2(E) | 84 | #4 | 16'-10" | — |
| e3(E) | 32 | #4 | 18'-8" | — |
| e4(E) | 70 | #4 | 18'-10" | — |
| e5(E) | 32 | #4 | 18'-5" | — |
| e6(E) | 70 | #4 | 17'-11" | — |
| e7(E) | 32 | #4 | 16'-8" | — |
| e8(E) | 14 | #4 | 13'-2" | — |
| e9(E) | 56 | #4 | 18'-1" | — |
| e10(E) | 88 | #4 | 19'-1" | — |
| e11(E) | 84 | #4 | 16'-4" | — |
| e12(E) | 32 | #4 | 17'-3" | — |
| e13(E) | 32 | #4 | 17'-5" | — |
| e14(E) | 70 | #4 | 18'-2" | — |
| e15(E) | 8 | #8 | 33'-4" | — |
| e16(E) | 4 | #8 | 19'-9" | — |
| e17(E) | 6 | #8 | 37'-7" | — |
| e18(E) | 4 | #8 | 18'-8" | — |
| e19(E) | 6 | #8 | 35'-2" | — |
| e20(E) | 4 | #8 | 18'-5" | — |
| e21(E) | 6 | #8 | 33'-8" | — |
| e22(E) | 4 | #8 | 16'-8" | — |
| e23(E) | 6 | #8 | 32'-4" | — |
| e24(E) | 4 | #8 | 19'-1" | — |
| e25(E) | 6 | #8 | 36'-7" | — |
| e26(E) | 4 | #8 | 17'-3" | — |
| e27(E) | 6 | #8 | 29'-4" | — |
| e28(E) | 4 | #8 | 17'-5" | — |
| e29(E) | 6 | #8 | 34'-2" | — |
| e30(E) | 8 | #4 | 31'-0" | — |
| e31(E) | 6 | #4 | 35'-6" | — |
| e32(E) | 6 | #4 | 33'-1" | — |
| e33(E) | 6 | #4 | 31'-7" | — |
| e34(E) | 6 | #4 | 30'-2" | — |
| e35(E) | 6 | #4 | 34'-6" | — |
| e36(E) | 6 | #4 | 27'-3" | — |
| e37(E) | 6 | #4 | 32'-1" | — |
| Reinforcement Bars, Epoxy Coated | Pound | | 624,330 | |
| Concrete Superstructure | Cu. Yd. | | 2291.1 | |
| Protective Coat | Sq. Yd. | | 9408 | |
| Bridge Deck Grooving | Sq. Yd. | | 5676 | |