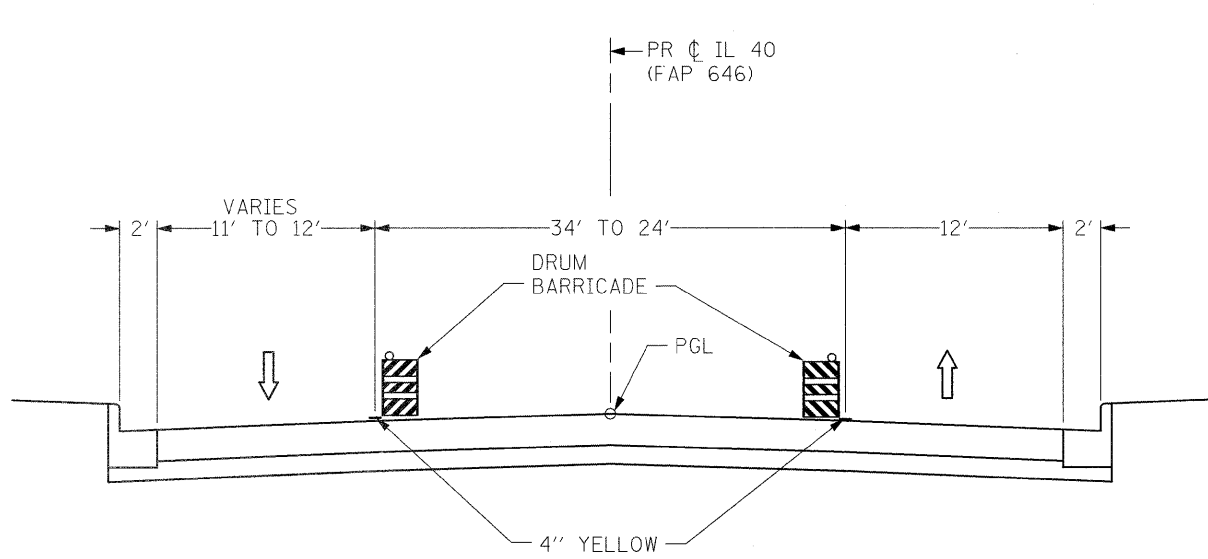


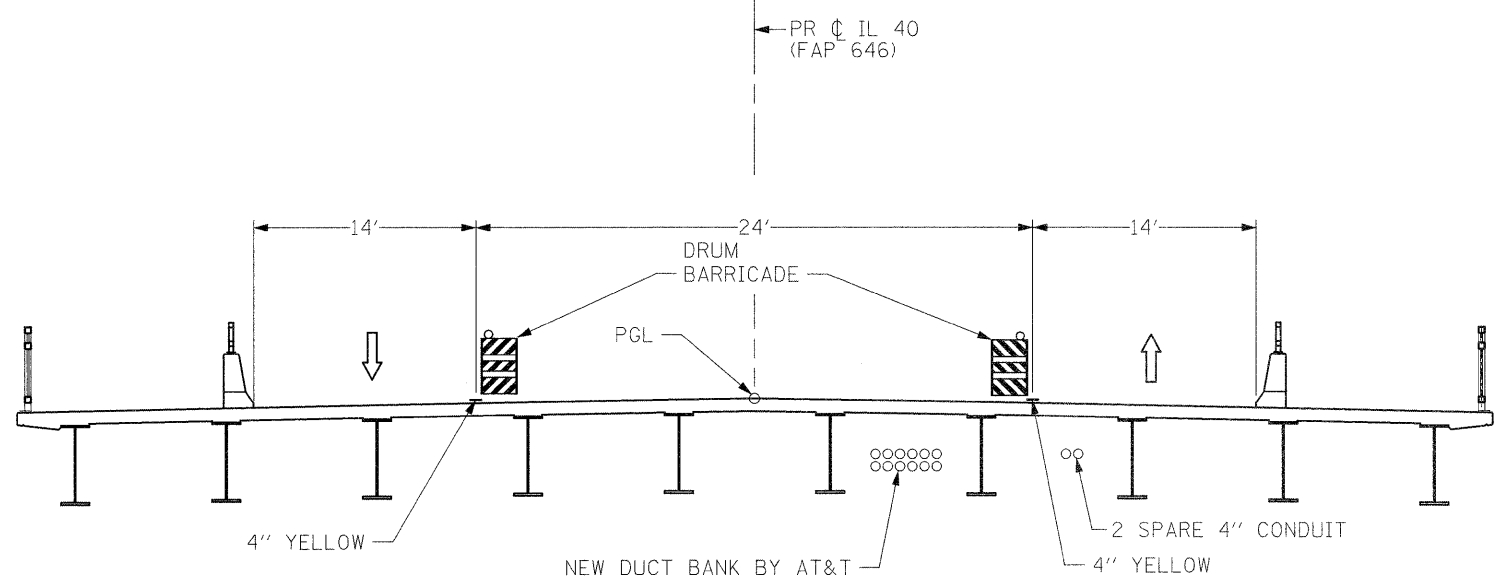
* FLEXIBLE DELINEATORS STA. 718+60 - 719+79, 9' LT

STAGE 3 TYPICAL SECTION (ROAD)
STA 715+50 TO STA 720+00 - LOOKING NORTH

STAGE 3 TYPICAL SECTION (ROAD)
STA 720+50 TO STA 722+76 - LOOKING NORTH



STAGE 3 TYPICAL SECTION (ROAD)
STA 722+76 TO STA 724+62 - LOOKING NORTH



STAGE 3 TYPICAL SECTION (BRIDGE)
STA 724+62 TO STA 734+96 - LOOKING NORTH

FILE NAME =	USER NAME = grantpm	DESIGNED -	REVISED -	STATE OF ILLINOIS DEPARTMENT OF TRANSPORTATION	IL 40 MAINTENANCE OF TRAFFIC - TYPICAL SECTIONS	F.A.P. RTE.	SECTION	COUNTY	TOTAL SHEETS	SHEET NO.
cd:\pw_work\pwwork\grantpm\dms80258\0264880-sht-staging7.dgn	DESIGNED - DMW	REVISED -	646			IB-2	WHITESIDE	257	34	
PLOT SCALE = N/A	CHECKED -	REVISED -	CONTRACT NO. 64B80							
PLOT DATE = Wed Aug 31 08:45:11 2011	DATE - 2-22-2010	REVISED -	FED. ROAD DIST. NO. ILLINOIS FED. AID PROJECT							
					SCALE: N/A	SHEET NO. 7 OF 35 SHEETS		STA.	TO STA.	