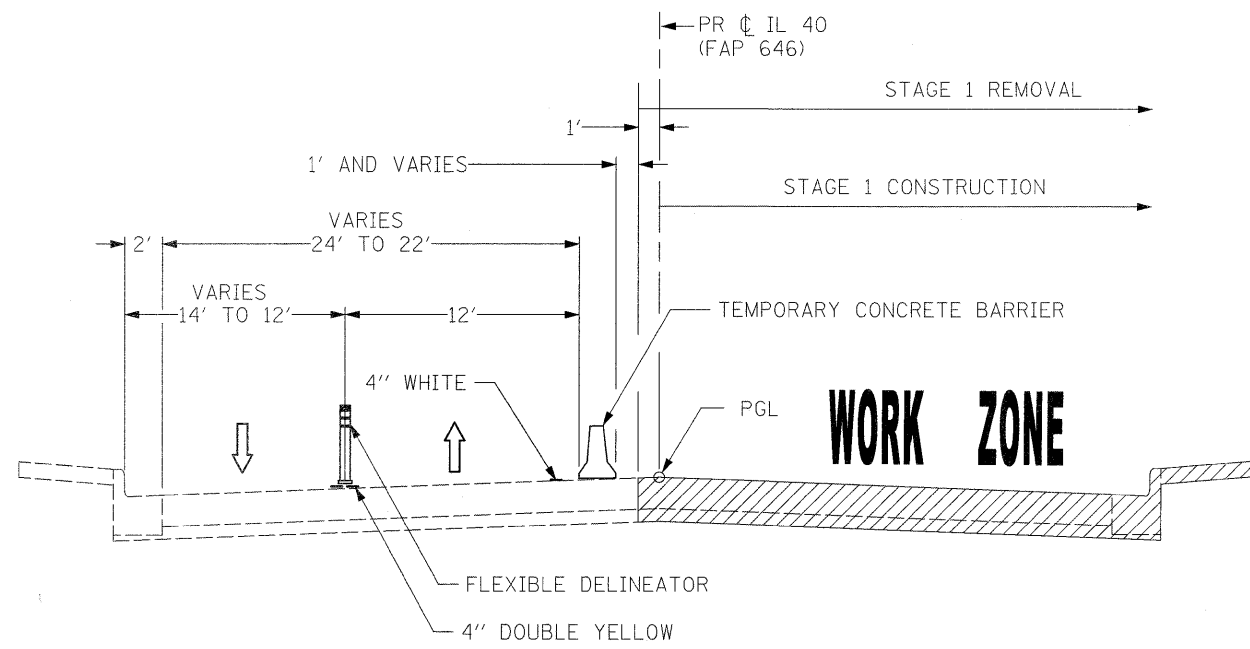
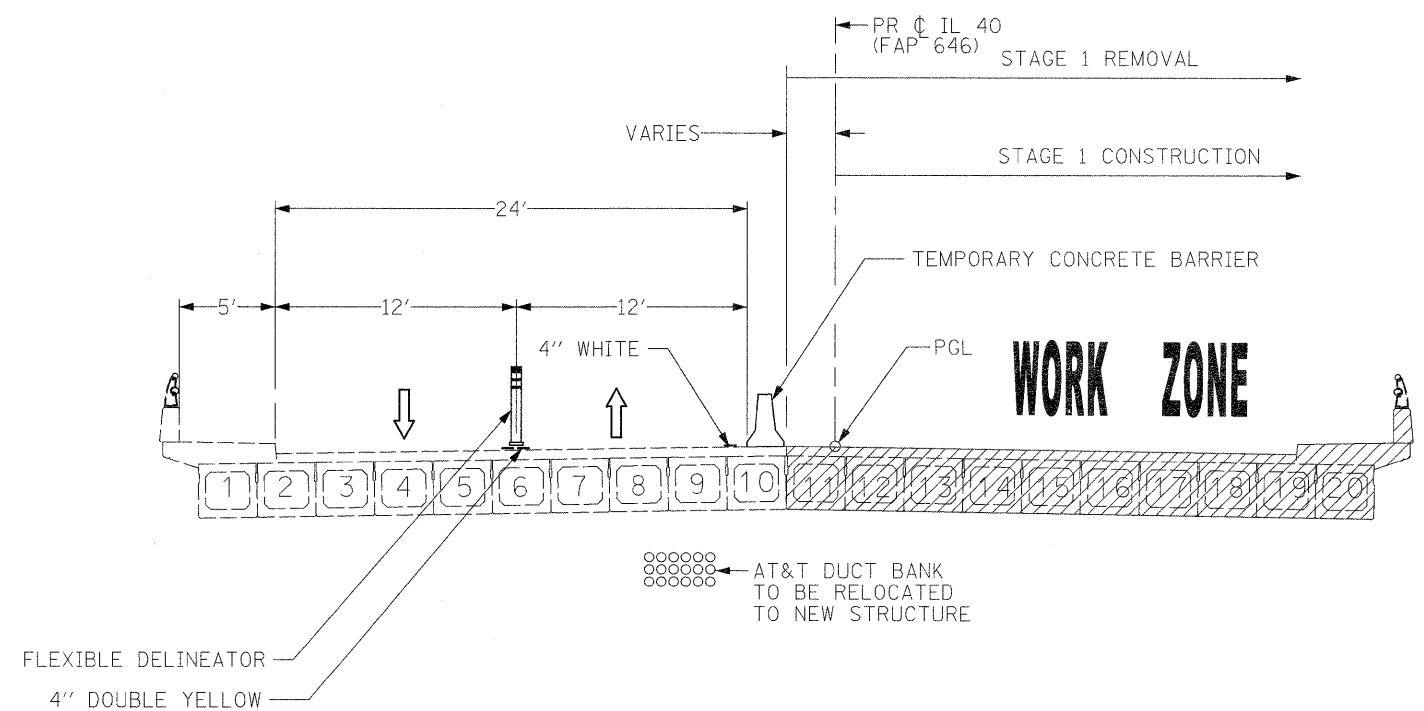


STAGE 1 TYPICAL SECTION (ROAD)  
 STA 715+50 TO STA 720+00 - LOOKING NORTH

STAGE 1 TYPICAL SECTION (ROAD)  
 STA 720+50 TO STA 722+76 - LOOKING NORTH



STAGE 1 TYPICAL SECTION (ROAD)  
 STA 722+76 TO STA 724+62 - LOOKING NORTH



STAGE 1 TYPICAL SECTION (BRIDGE)  
 STA 724+62 TO STA 734+96 - LOOKING NORTH

FILE NAME =	USER NAME = grantpm	DESIGNED -	REVISED -	<b>STATE OF ILLINOIS DEPARTMENT OF TRANSPORTATION</b>	<b>IL 40 MAINTENANCE OF TRAFFIC - TYPICAL SECTIONS</b>	F.A.P. RTE. =	SECTION	COUNTY	TOTAL SHEETS	SHEET NO.
c:\pw_work\pwork\grantpm\dms80258\0264880-sh1-staging3.dgn	DRAWN - DMW	REVISED -	646			IB-2	WHITESIDE	257	30	
PLOT SCALE = N/A	CHECKED -	REVISED -	CONTRACT NO. 64B80							
PLOT DATE = Wed Aug 31 08:42:05 2011	DATE - 2-22-2010	REVISED -	FED. ROAD DIST. NO. ILLINOIS FED. AID PROJECT							
					SCALE: N/A	SHEET NO. 3 OF 35 SHEETS	STA.	TO STA.		