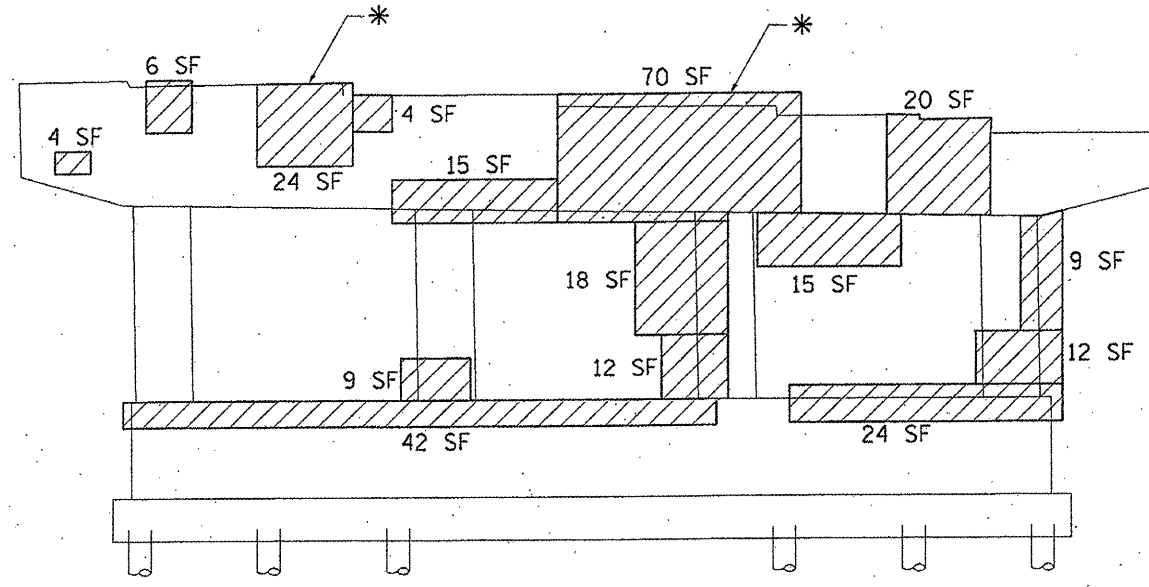


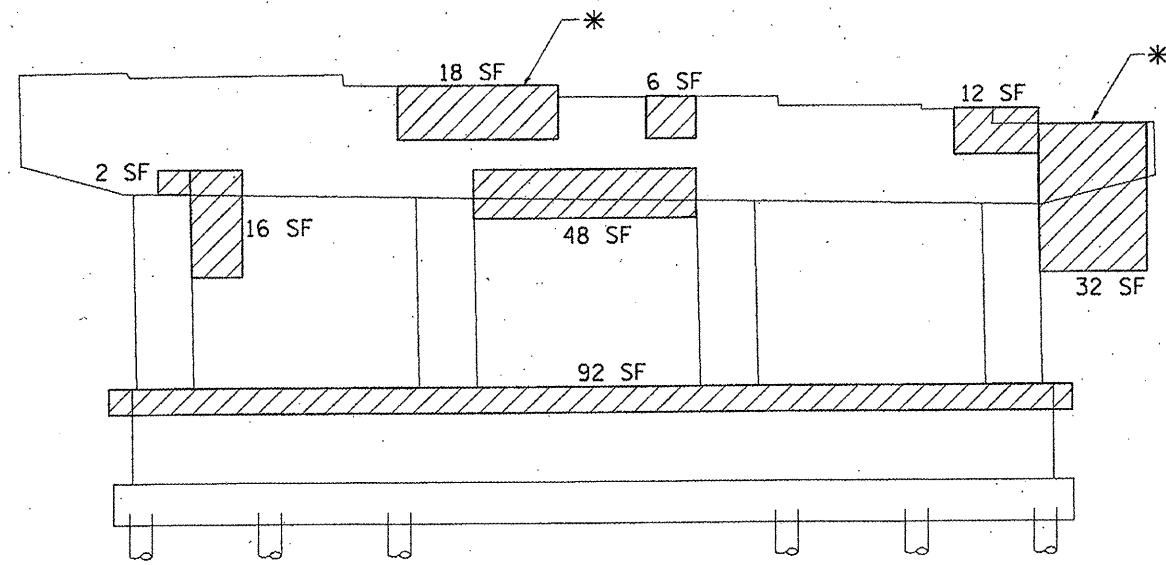
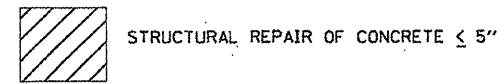
ROUTE	SECTION	COUNTY	TOTAL SHEETS	SHEET NUMBER
FAI 290	2011-061-BR	COOK & DUPAGE	29	13

Contract 60P79



PIER 2 (SOUTH FACE)

BILL OF MATERIAL PIER 2	UNIT	QUANTITY
STRUCTURAL REPAIR OF CONCRETE \leq 5"	SO. FT.	510
TEMPORARY SHORING AND CRIBBING	EACH	4



PIER 2 (NORTH FACE)

* TEMPORARY SUPPORT SYSTEM

ILLINOIS DEPARTMENT OF
TRANSPORTATION
SN 022-0015
LOCATION NO. 1
RAMP A-OVER IL 64 (NORTH AVE.)
PIER 2