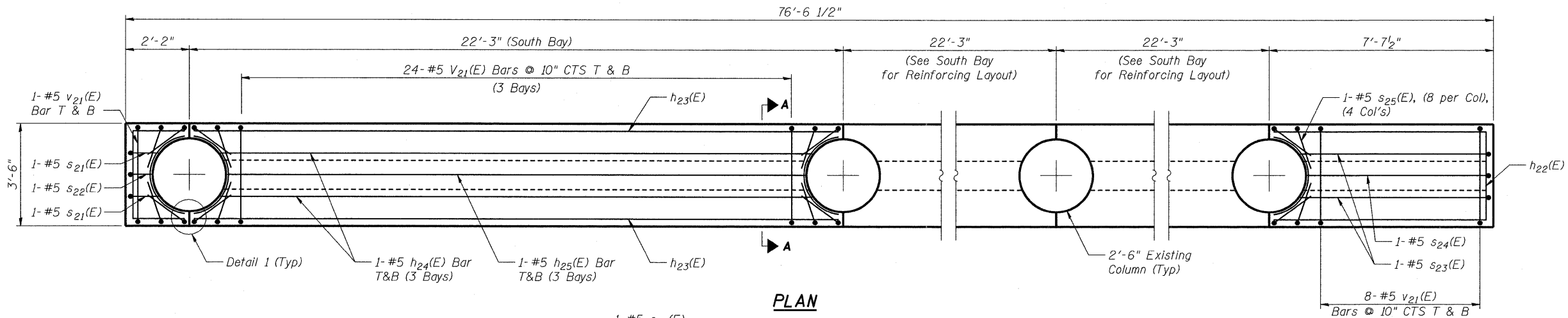


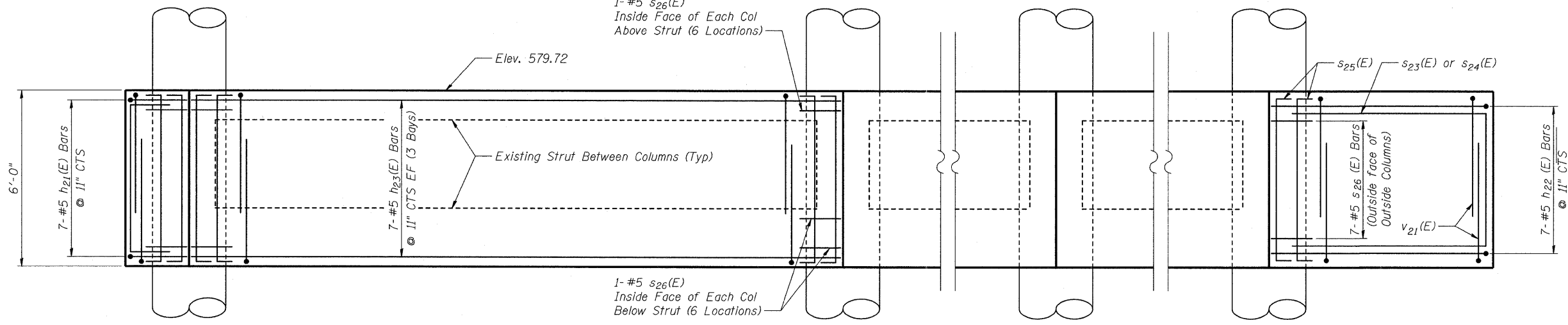
STATE OF ILLINOIS
DEPARTMENT OF TRANSPORTATION

ROUTE NO.	SECTION	COUNTY	TOTAL SHEETS	SHEET	SHEET NO.
290	2011-0551	COOK	107	75	3
FED. ROAD DIST. NO. 7		ILLINOIS	FED. AID PROJECT-		3 SHEETS

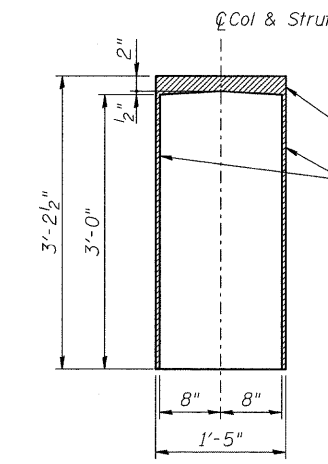
Contract #60P67



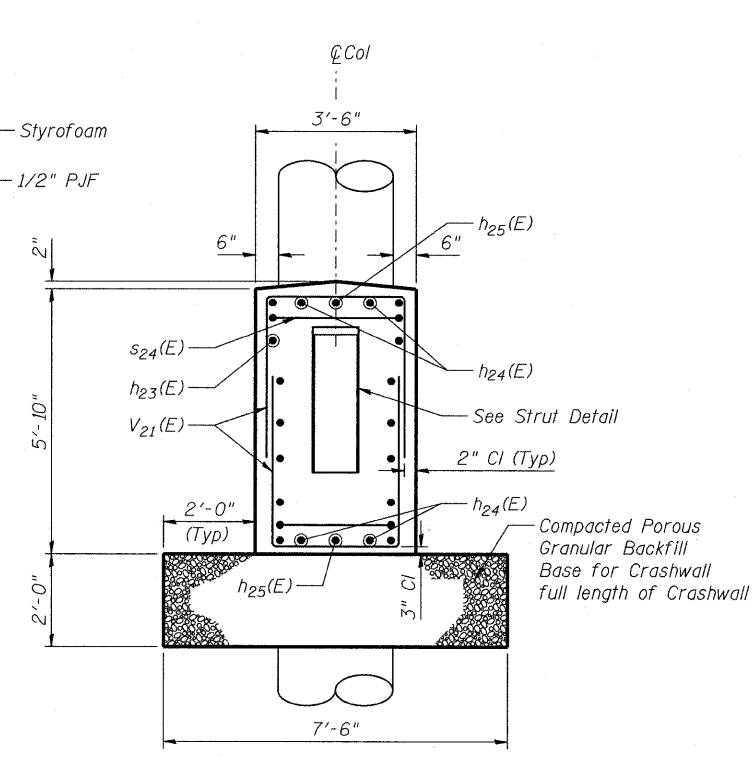
PLAN



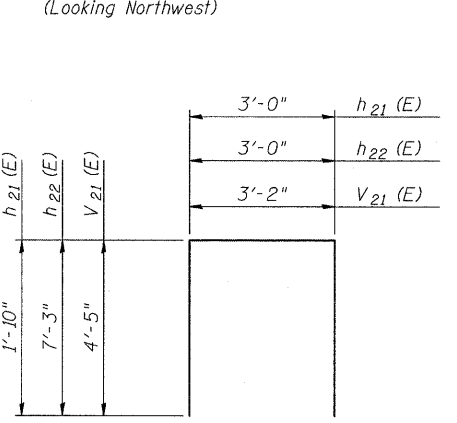
ELEVATION
(Looking Northwest)



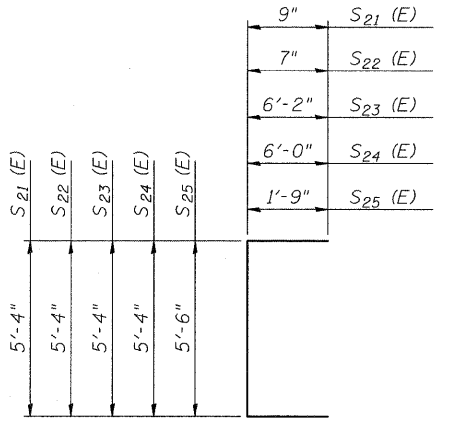
STRUT DETAIL



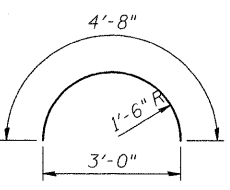
SECTION A-A



BARS $h_{21} (E)$, $h_{22} (E)$ & $V_{21} (E)$

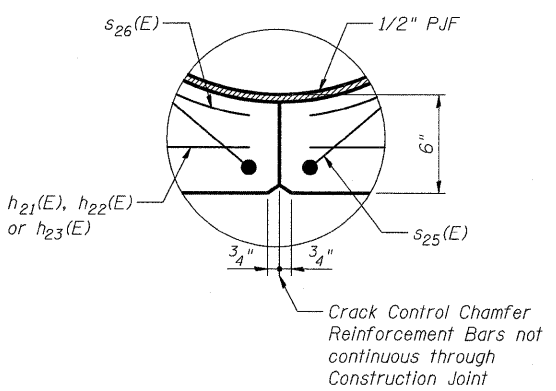


BARS $S_{21} (E)$, $S_{22} (E)$, $S_{23} (E)$, $S_{24} (E)$ & $S_{25} (E)$



BAR $S_{26} (E)$

BILL OF MATERIAL				
Bar	No.	Size	Length (ft)	Shape
$h_{21} (E)$	7	#5	6'-8"	□
$h_{22} (E)$	7	#5	17'-6"	□
$h_{23} (E)$	42	#5	21'-11"	□
$h_{24} (E)$	12	#5	19'-9"	□
$h_{25} (E)$	6	#5	19'-5"	□
$S_{21} (E)$	2	#5	6'-10"	□
$S_{22} (E)$	1	#5	6'-6"	□
$S_{23} (E)$	2	#5	17'-8"	□
$S_{24} (E)$	1	#5	17'-4"	□
$S_{25} (E)$	32	#5	9'-0"	□
$S_{26} (E)$	32	#5	4'-8"	□
$V_{21} (E)$	162	#5	12'-0"	□
Item	Unit	Total		
Concrete Structures	Cu Yd	44		
Reinforced Bars, Epoxy Coated	Pound	4060		



DETAIL 1

NOTES:

- Wrap outside of each column with 1/2" Prefomed Joint Filler for full height of Crashwall.
- 1/2" P.J.F and Styrofoam included with pay item Concrete Structures.

ABBREVIATION LIST

Col	Column
EF	Each Face
P.J.F	Prefomed Joint Filler
T&B	Top and Bottom
Typ	Typical

MIN BAR LAP

#5 bars = 3'-3"

DESIGNED	DSE
CHECKED	NDR
DRAWN	ZLM
CHECKED	DSE

CRASHWALL DETAILS
I-90/I-94/I-290
EB I-90/94 TO WB I-290
F.A.I. 94 /290-SECT. (2011-0551)
COOK COUNTY
STATION 305+30