

STATE OF ILLINOIS  
DEPARTMENT OF TRANSPORTATION

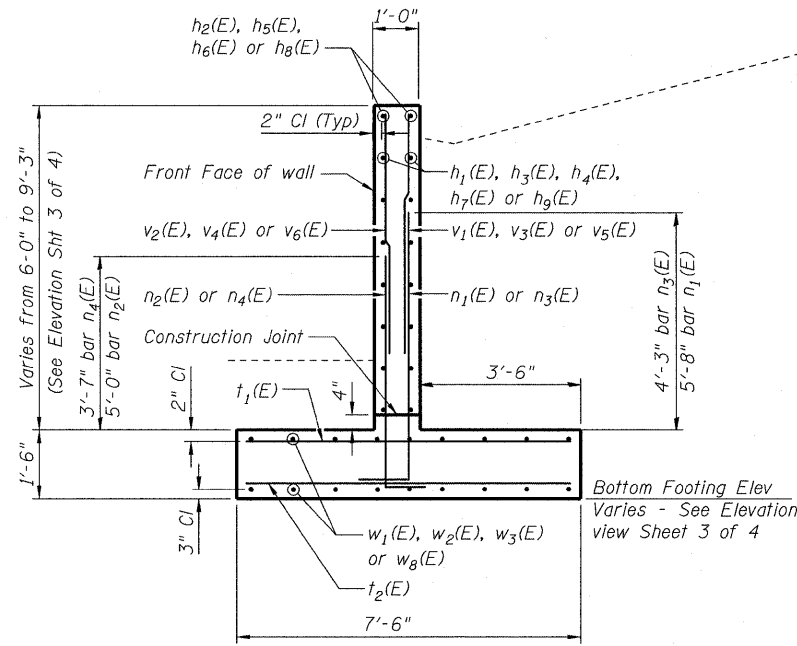
ROUTE NO.	SECTION	COUNTY	TOTAL SHEETS	SHEET NO.
290	2011-0551	COOK	107	72
FED. ROAD DIST. NO. 7		ILLINOIS	FED. AID PROJECT	

SHEET NO. 4  
4 SHEETS

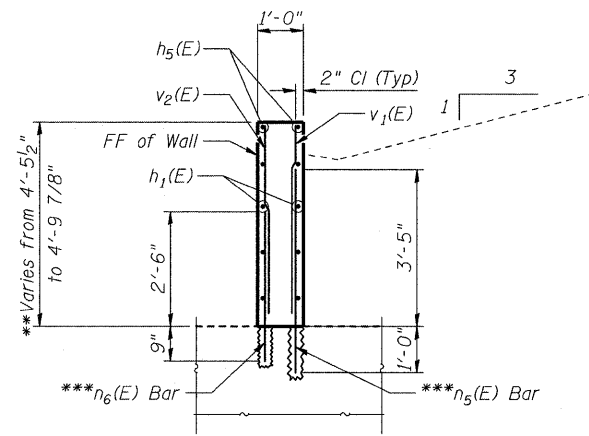
Contract #60P67

**BILL OF MATERIAL**

Bar	No.	Size	Length	Shape
h1 (E)	30	#4	29'-8"	—
h2 (E)	4	#5	33'-4"	—
h3 (E)	28	#4	32'-7"	—
h4 (E)	2	#4	32'-9"	—
h5 (E)	4	#5	29'-9"	—
h6 (E)	2	#5	16'-3"	—
h7 (E)	18	#4	15'-7"	—
h8 (E)	2	#5	11'-8"	—
h9 (E)	14	#4	11'-8"	—
h10 (E)	8	#4	3'-10"	—
n1 (E)	146	#5	7'-9"	┘
n2 (E)	146	#4	6'-11"	┘
n3 (E)	15	#5	6'-4"	┘
n4 (E)	15	#4	5'-6"	┘
n5 (E)	14	#5	4'-5"	—
n6 (E)	14	#4	3'-3"	—
t1 (E)	178	#5	7'-2"	—
t2 (E)	184	#4	7'-2"	—
v1 (E)	72	#5	5'-7"	—
v2 (E)	72	#4	5'-5"	—
v3 (E)	88	#5	6'-8"	—
v4 (E)	88	#4	6'-8"	—
v5 (E)	15	#5	5'-9"	—
v6 (E)	15	#4	5'-1"	—
w1 (E)	32	#4	32'-2"	—
w2 (E)	32	#4	23'-5"	—
w3 (E)	16	#4	11'-8"	—
w4 (E)	16	#4	5'-4"	┘
w5 (E)	8	#4	7'-1"	┘
w6 (E)	16	#4	6'-11"	┘
w7 (E)	8	#4	8'-11"	┘
w8 (E)	16	#4	24'-1"	—
Structure Excavation		Cu Yd	529	
Concrete Structures		Cu Yd	103	
Reinforcing Steel, Epoxy Coated		Pound	9810	
Drill and Grout Bars		Each	28	



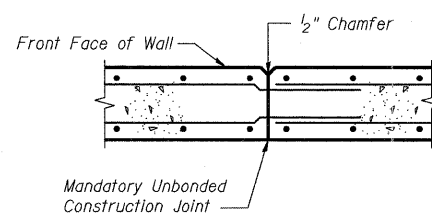
**TYPICAL SECTION**



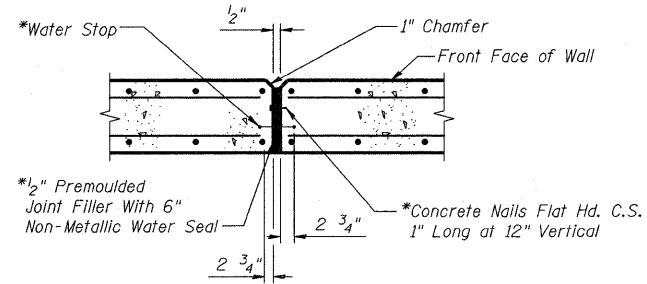
**SECTION A-A**

\*\* Contractor to verify dimensions and elevation of Halsted St. North Abutment foundation and adjust dimensions of proposed Retaining Wall to hold top of wall elevations should field conditions deviate from plans.

\*\*\* Epoxy grout n5(E) and n6(E) bars in 12" and 9" minimum drill holes respectively according to Section 584 of the Standard Specifications. The grout and method of application shall be approved by the Engineer. Cost of hole drilling and epoxy grouting shall be paid for at the contract unit price each for Drill and Grout Bars.



**CONSTRUCTION JOINT DETAIL**

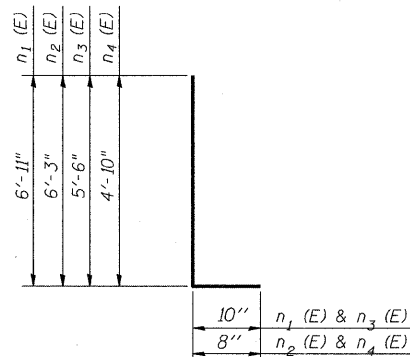


**EXPANSION JOINT DETAIL**

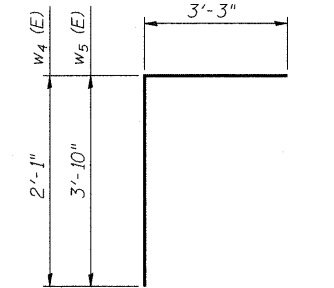
(Stem of Wall Only, Not In Footing)

\* Cost Included With Concrete Structures

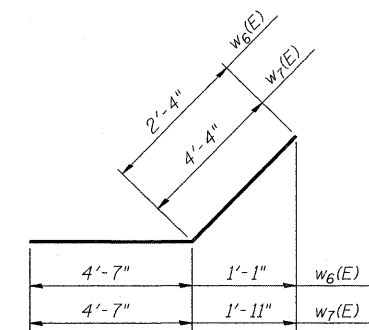
**RETAINING WALL JOINT DETAILS**



**BARS n1 (E) Through n4 (E)**



**BARS w4 (E) and w5 (E)**



**BARS w6 (E) and w7 (E)**

DESIGNED	NDR
CHECKED	DSE
DRAWN	ZLM
CHECKED	NDR

**ABBREVIATION LIST**

FF Front Face  
BF Back Face

**Stanley Consultants INC.**  
8501 West Higgins Road, Suite 730, Chicago, Illinois 60631-2801  
www.stanleyconsultants.com  
Illinois Firm Registration No.: 1184-001533

**WALL DETAILS AND BAR SCHEDULES  
CIRCLE INTERCHANGE RETAINING WALL**

**I-90/I-94/I-290**

**EB I-90/94 TO WB I-290**

**F.A.I. 94 /290-SECT. (2011-0551)**

**COOK COUNTY**

**SN 016-0008**