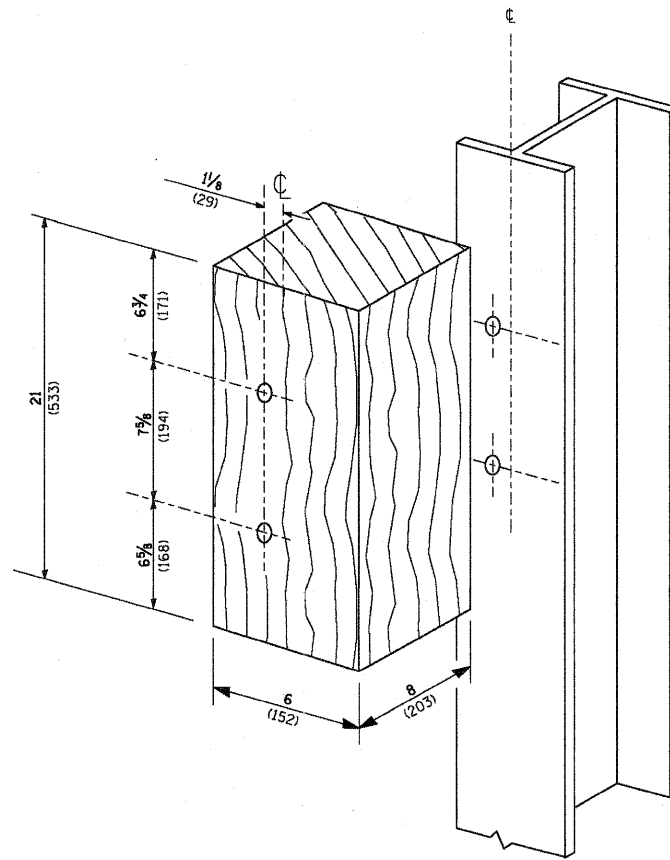
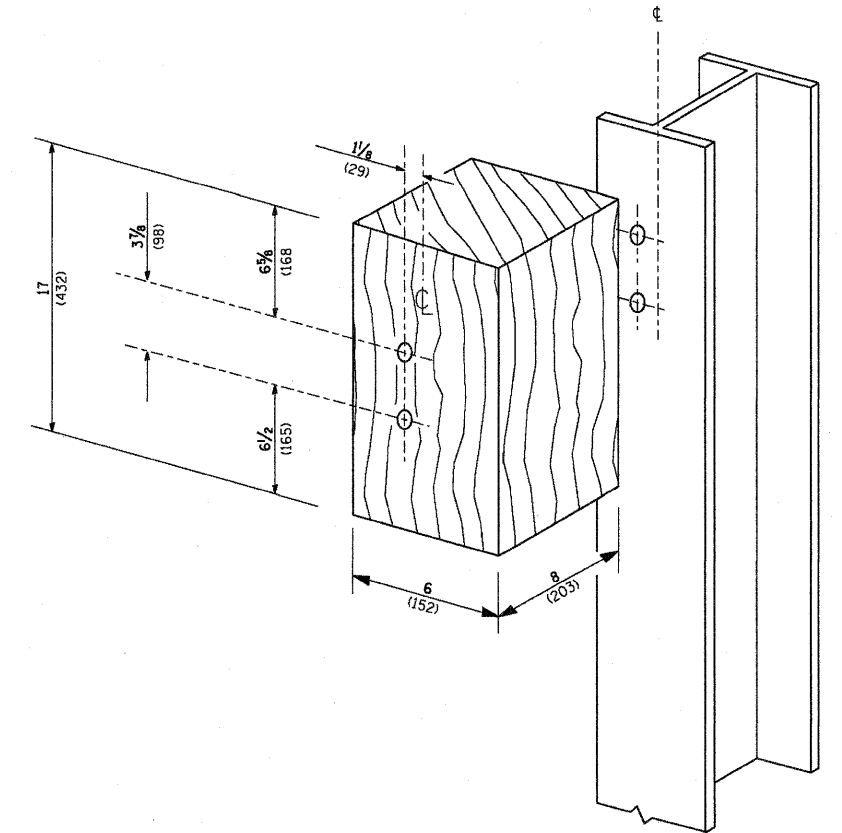


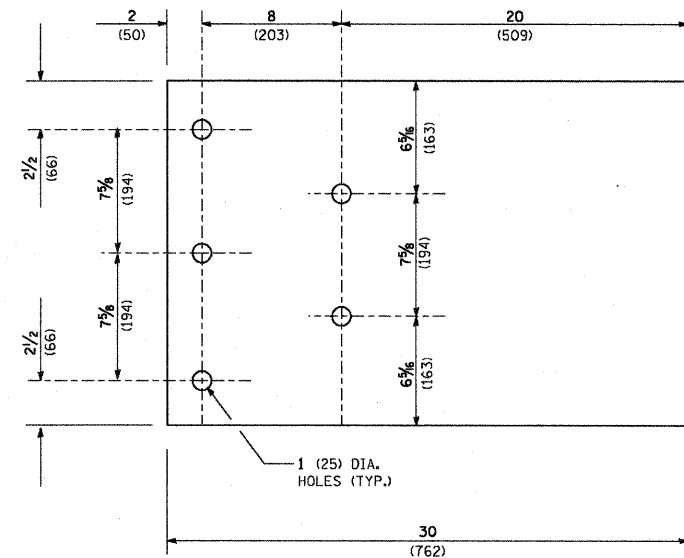
THRIE BEAM END SHOE DETAIL



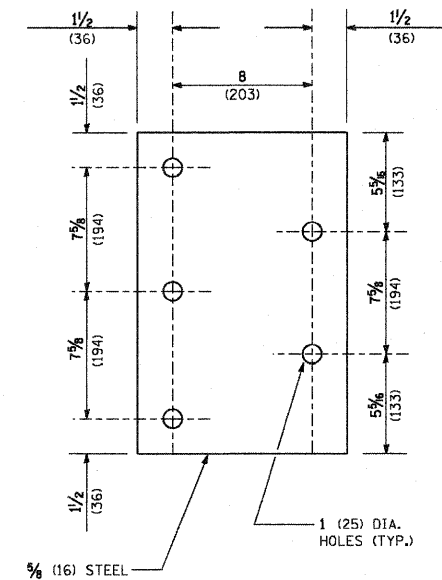
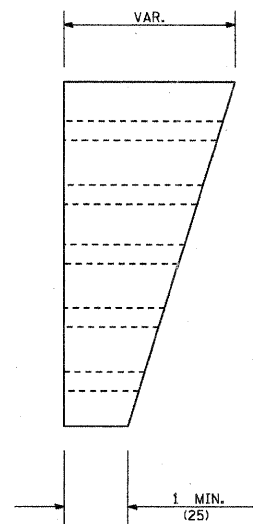
POSTS 1-11 WOOD BLOCKOUT DETAIL



POST 12 WOOD BLOCKOUT DETAIL



PARAPET WOOD BLOCK-OUT DETAIL



PARAPET STEEL BEARING PLATE DETAIL

(5 EACH INDIVIDUAL 5x5x5/16 (125x125x16) STEEL PLATES WITH CENTERED 1 (25) HOLES MAY BE SUBSTITUTED FOR THE PLATE SHOWN.)

FILE NAME =
c:\Projects\dststd2007\bm22.dgn

USER NAME = bauerdl
PLOT SCALE = 50.0000' / IN.
PLOT DATE = 2/21/2008

DESIGNED -
DRAWN -
CHECKED -
DATE -

REVISED - STATE STANDARD;
631031-05 - 02/19/2008
REVISED -
REVISED -

STATE OF ILLINOIS
DEPARTMENT OF TRANSPORTATION

TYPE 6 TERMINAL
FOR USE WITH 21" HIGH SPBGR
SCALE: NONE SHEET NO. 3 OF 3 SHEETS STA. TO STA.

F.A. RTE. 533	SECTION 119-T-1	COUNTY MCHENRY	TOTAL SHEETS 40	SHEET NO. 30
BM 22			CONTRACT NO. 60M54	
FED. ROAD DIST. NO. 1 ILLINOIS FED. AID PROJECT				