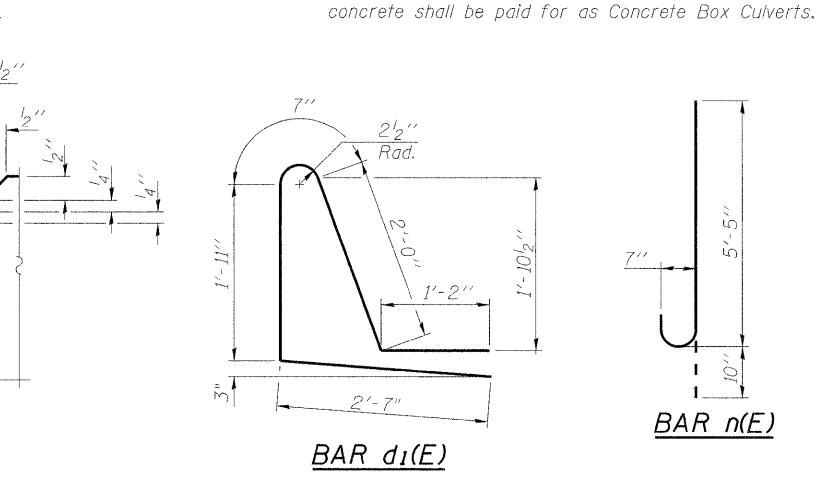
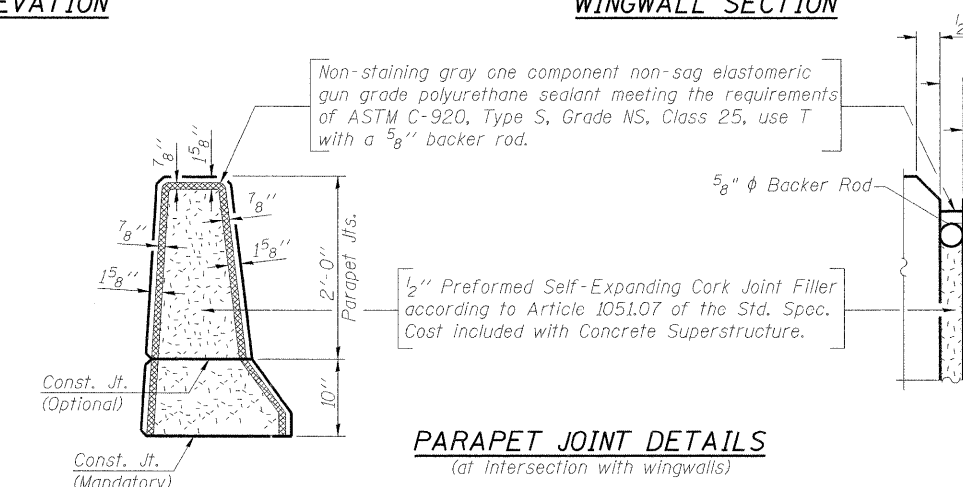
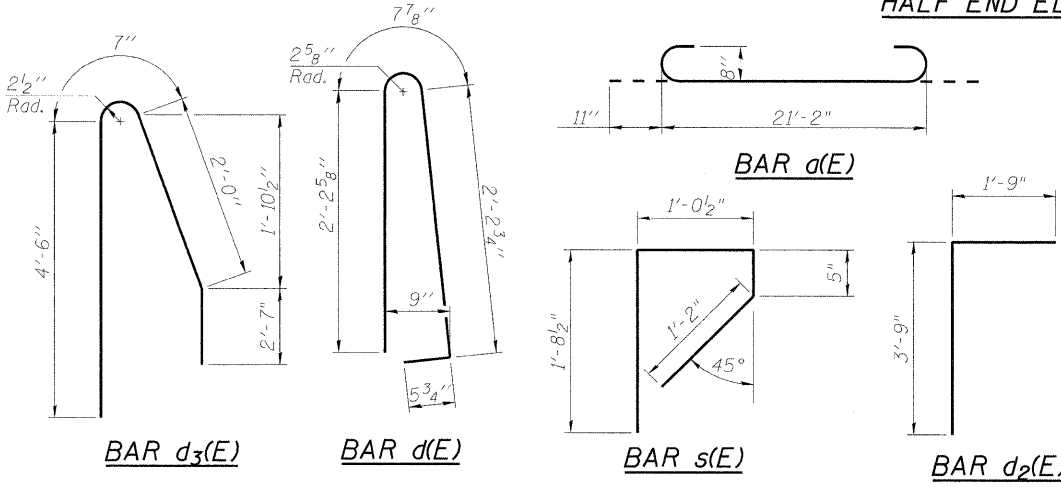
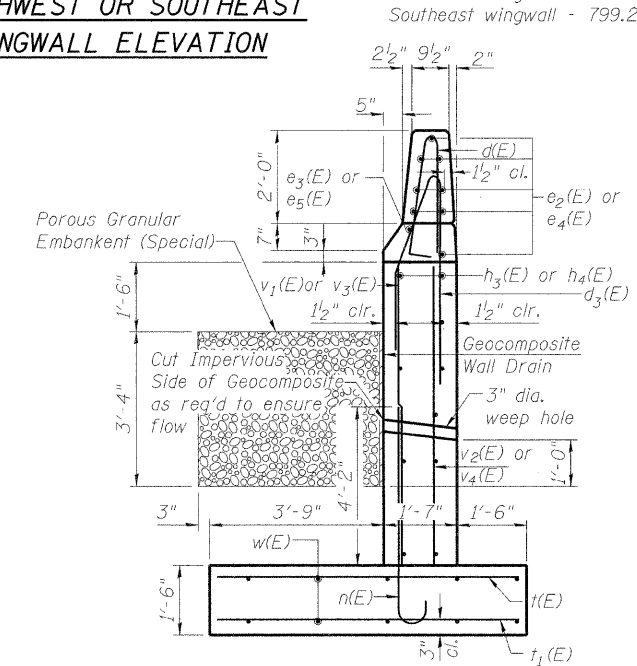
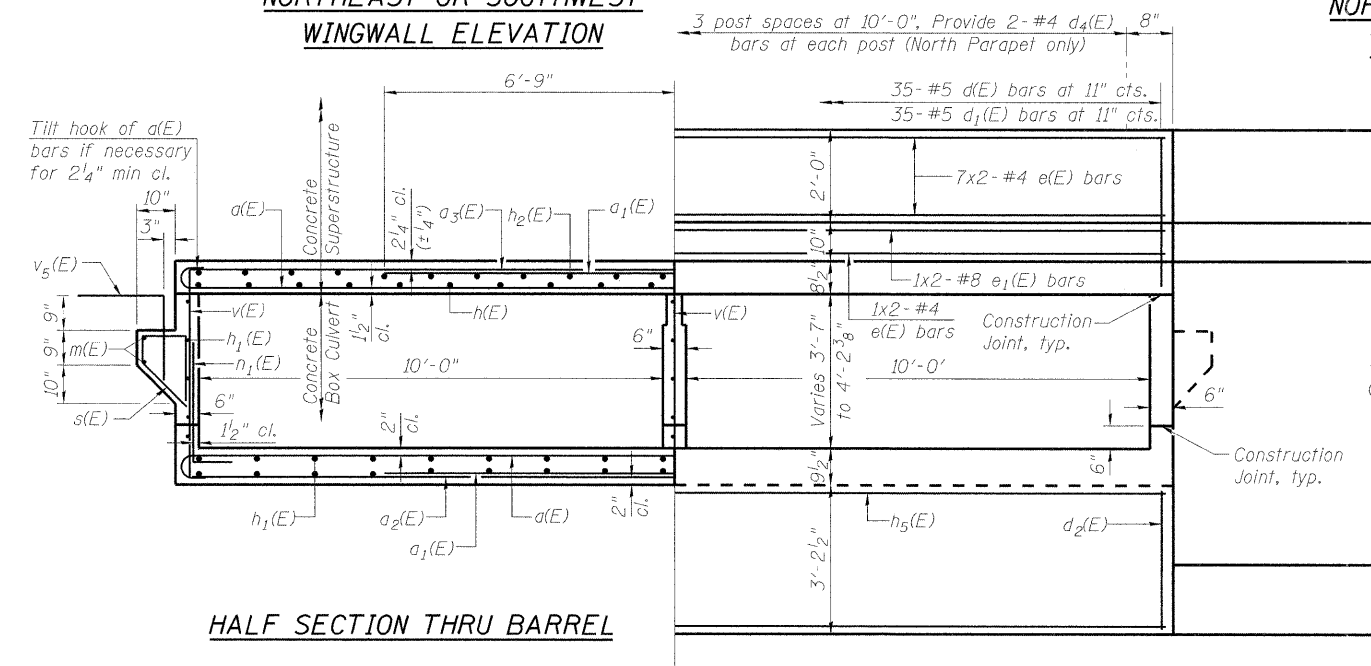
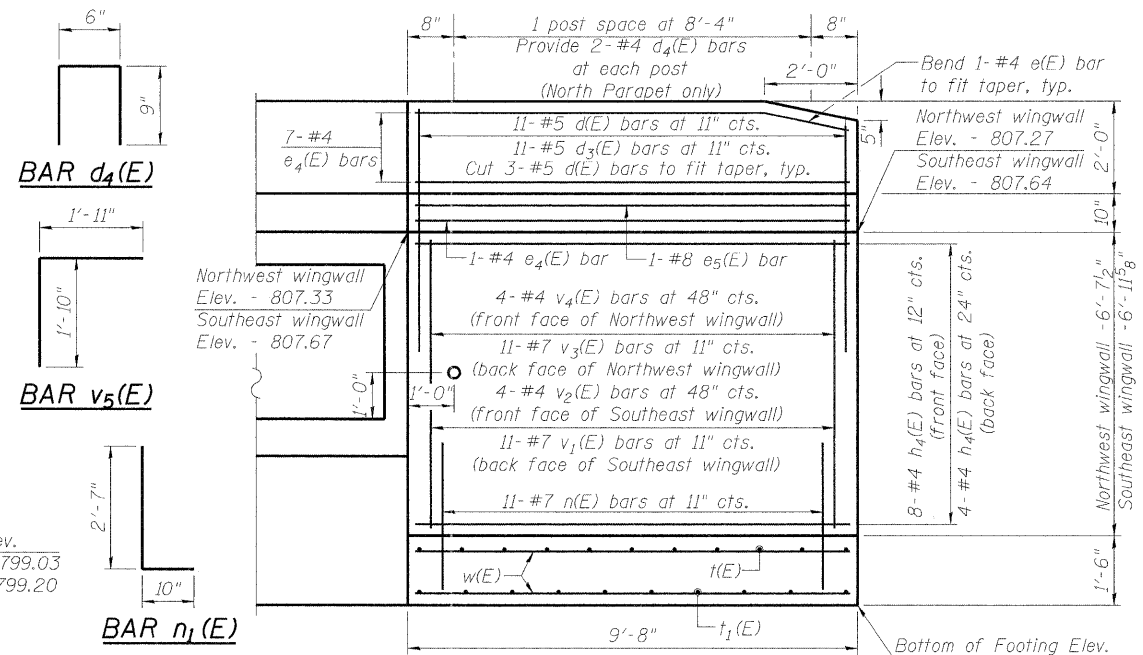
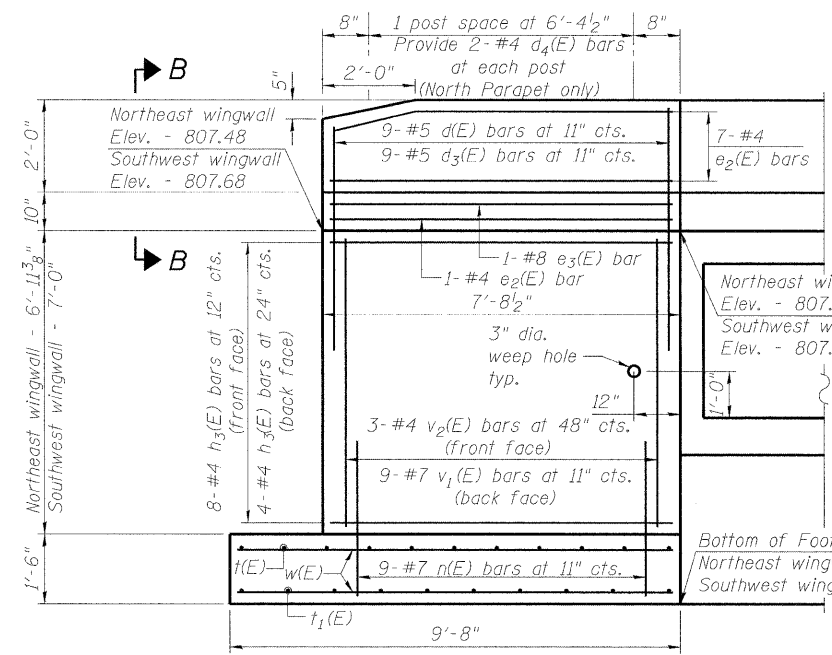
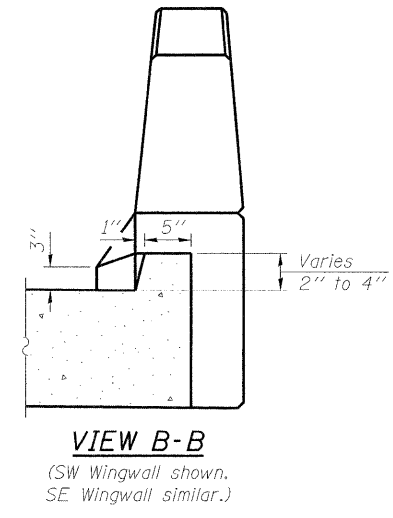


**BILL OF MATERIAL**

Bar	No.	Size	Length	Shape
a(E)	260	#8	23'-0"	U
a <sub>1</sub> (E)	254	#8	13'-6"	U
a <sub>2</sub> (E)	39	#4	21'-2"	U
a <sub>3</sub> (E)	51	#5	21'-2"	U
d(E)	110	#5	5'-7"	U
d <sub>1</sub> (E)	70	#5	8'-3"	U
d <sub>2</sub> (E)	100	#4	5'-6"	U
d <sub>3</sub> (E)	40	#5	9'-8"	U
d <sub>4</sub> (E)	16	#4	2'-0"	U
e(E)	32	#4	17'-0"	U
e <sub>1</sub> (E)	4	#8	18'-4"	U
e <sub>2</sub> (E)	16	#4	7'-5"	U
e <sub>3</sub> (E)	2	#8	7'-5"	U
e <sub>4</sub> (E)	16	#4	9'-4"	U
e <sub>5</sub> (E)	2	#8	9'-4"	U
h(E)	42	#8	40'-2"	U
h <sub>1</sub> (E)	102	#5	38'-9"	U
h <sub>2</sub> (E)	44	#4	38'-6"	U
h <sub>3</sub> (E)	24	#4	7'-5"	U
h <sub>4</sub> (E)	24	#4	9'-4"	U
h <sub>5</sub> (E)	12	#5	16'-11"	U
m(E)	8	#6	29'-8"	U
n(E)	40	#7	6'-3"	J
n <sub>1</sub> (E)	228	#5	3'-5"	J
s(E)	172	#5	4'-4"	P
t(E)	48	#6	6'-6"	U
t <sub>1</sub> (E)	44	#5	6'-6"	U
v(E)	342	#5	4'-9"	U
v <sub>1</sub> (E)	29	#7	6'-8"	U
v <sub>2</sub> (E)	10	#4	6'-8"	U
v <sub>3</sub> (E)	11	#7	6'-3"	U
v <sub>4</sub> (E)	4	#4	6'-3"	U
v <sub>5</sub> (E)	114	#5	3'-9"	U
w(E)	40	#5	9'-4"	U
Concrete Superstructure			Cu Yd	53.4
Concrete Box Culverts			Cu Yd	104.8
Reinforcement Bars, Epoxy Coated			Pound	46,260



Notes:  
 The culvert top slab and parapet concrete shall be paid for as Concrete Superstructure.  
 The culvert side walls, bottom slab and wingwall concrete shall be paid for as Concrete Box Culverts.

FILE NAME: G:\projects\2102155\_002\CADD\Structure\SH\0560301-604-Culvert Details 2 of 2.dwg



USER NAME = Zsager-b	DESIGNED BPS	REVISED -
PLOT SCALE = N/A	CHECKED - BHS	REVISED -
PLOT DATE = 10/15/2011	DRAWN - BPS	REVISED -
	CHECKED - BHS	REVISED -

**STATE OF ILLINOIS  
 DEPARTMENT OF TRANSPORTATION**

**CULVERT DETAILS (2 OF 2)  
 S.N. 056-0301**

F.A.P. RTE. 533	SECTION 119-T-1	COUNTY MCHENRY	TOTAL SHEETS 40	SHEET NO. 19
IL ROUTE 176		CONTRACT NO. 60M54		
FED. ROAD DIST. NO. ILLINOIS FED. AID PROJECT				

SHEET NO. S4 OF 9 SHEETS