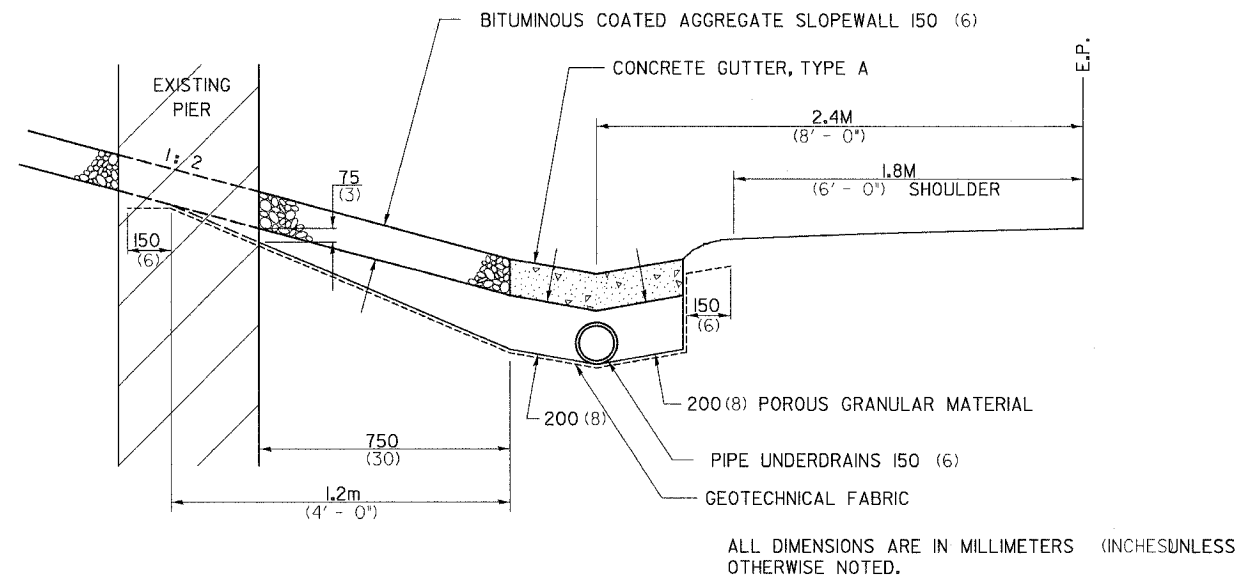


F.A.P. RTE.	SECTION	COUNTY	TOTAL SHEETS	SHEET NO.
303	I29K	WINNEBAGO	585	286
STA.		TO STA.		
FED. ROAD DIST. NO.	ILLINOIS	FED. AID PROJECT		

# AGGREGATE SLOPEWALL DRAIN



**AGGREGATE SLOPEWALL DRAIN 19.4**

REVISED 5-4-94

# LETTERING FOR NAME PLATE

STATION  
 BUILT 200 BY  
 STATE OF ILLINOIS  
 RTE. SEC.  
 FA PROJECT  
 LOADING HS 20  
 STR. NO.

SEE STD. 515001

**DESIGNERS NOTE**

WHEN USING A DOUBLE BOX CULVERT GET A STRUCTURE NUMBER AND SHOW IT ON THE GENERAL NOTES. IF THE DOUBLE BOX CULVERT IS EQUAL TO OR GREATER THAN 6.1m (20 FT) WIDE INCLUDE A PAY ITEM FOR NAME PLATES AND INCLUDE THIS DETAIL IN THE PLANS.

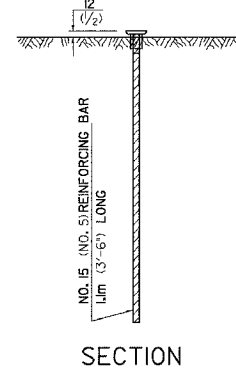
ALL DIMENSIONS ARE IN MILLIMETERS (INCHES UNLESS OTHERWISE NOTED.)

**LETTERING FOR NAME PLATE 89.4**

REVISED 10-15-04

# REFERENCE MARKERS

REFERENCE MARKER & LAND SECTION MARKER



**SECTION**



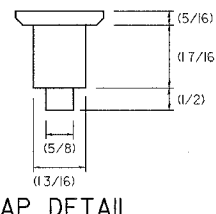
**R.O.W. CAP**



**SECTION CORNER CAP**

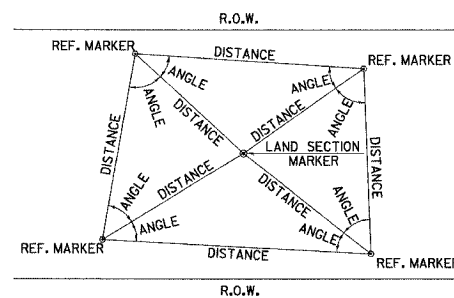


**SECTION CORNER TIE POINT CAP**



**CAP DETAIL**

## METHOD OF REFERENCING MARKERS



- USE INSTRUMENT TIES TO NEARBY LAND-MARKS (STEEPLES, TOWERS, SILOS, ETC...)
- IN CULTIVATED FIELDS, SET 600 (2') OR MORE BELOW GROUND SURFACE.
- IN FENCE LINE OR PROTECTED AREA SET TOP AT GROUND LEVEL.

ALL DIMENSIONS ARE IN MILLIMETERS (INCHES UNLESS OTHERWISE NOTED.)

**REFERENCE MARKERS 63.4**

PLOT DATE \* \* \* DATE \* \* \*  
 FILE NAME \* \* \* FILE \* \* \*  
 REFERENCE \* \* \* REF \* \* \*

REFERENCE MARKERS SHALL BE USED TO TIE IN PERMANENT LAND SECTION AND 1/4 SECTION CORNERS. WHERE LAND SECTION MARKERS FALL IN THE SHOULDERS OR GRAVEL SURFACES, THE TOP OF THE BAR SHALL BE KEPT 75 (3) BELOW THE SURFACE. LAND SECTION MARKERS LOCATED IN TRAFFIC LANES SHALL NOT BE REPLACED.

METAL CAPS SHALL BE PLACED ON TOP OF THE REINFORCEMENT BAR. THERE ARE 3 TYPES OF CAPS, ONE FOR THE RIGHT-OF-WAY CORNERS, ONE FOR THE SECTION CORNERS AND ONE FOR THE SECTION CORNER TIE POINTS. THE CAPS WILL BE SUPPLIED BY IDOT, CALL CHIP CORDELL (815) 284-5370 A MINIMUM OF ONE WEEK BEFORE THE CAPS ARE NEEDED