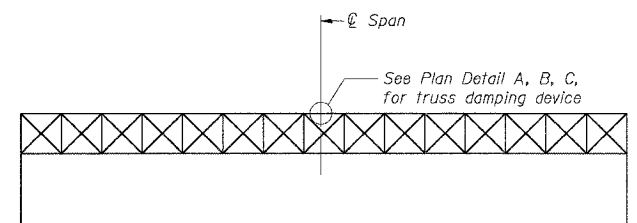
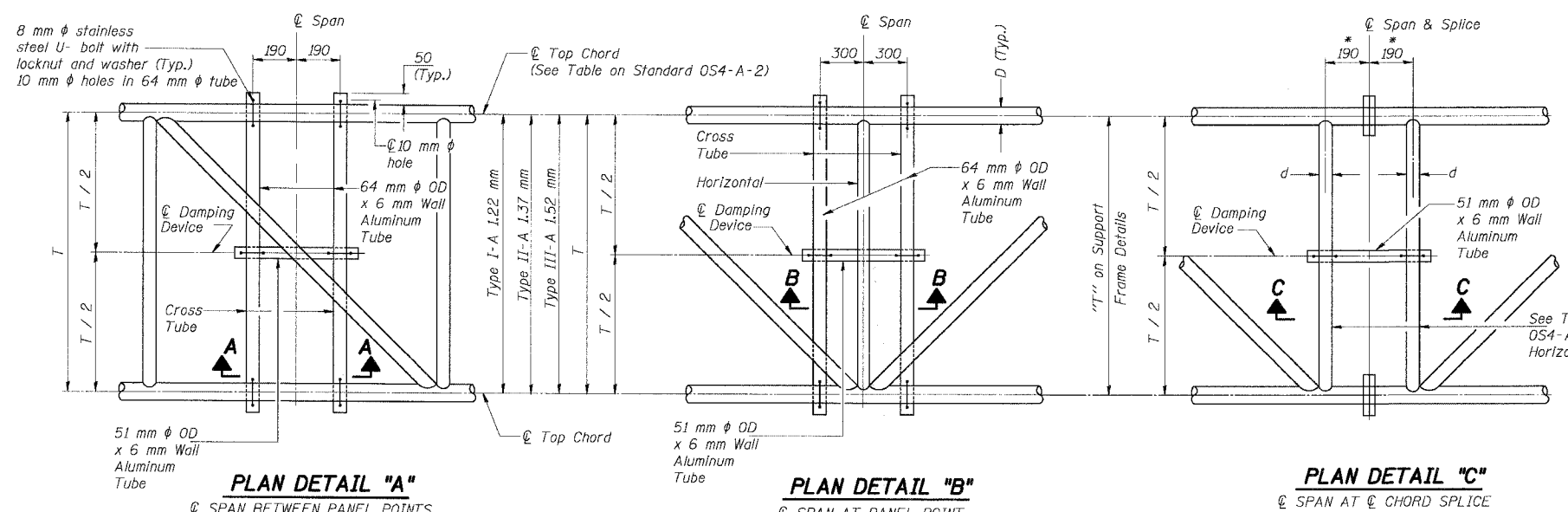


F.A.I. RTE.	SECTION	COUNTY	TOTAL SHEETS	SHEET NO.
80/94	*	COOK	631	320
STA.	TO STA.			
FED. ROAD DIST. NO.	ILLINOIS	FED. AID PROJECT		
(2425 & 2626) R-2	CONTRACT NO. 62111			

\* Center of horizontal to center of splice dimension may vary. Verify before drilling holes in mounting tube.

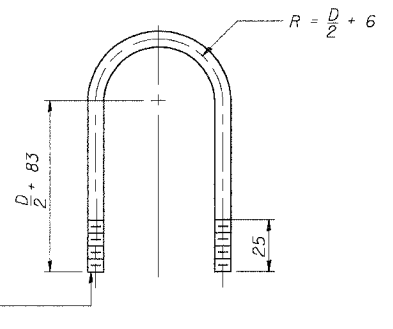
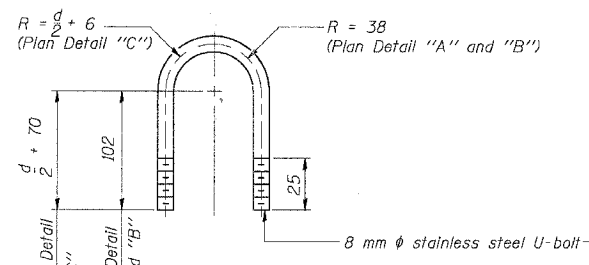
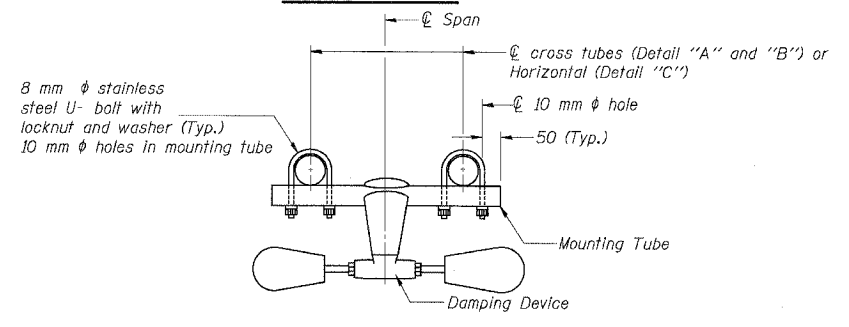
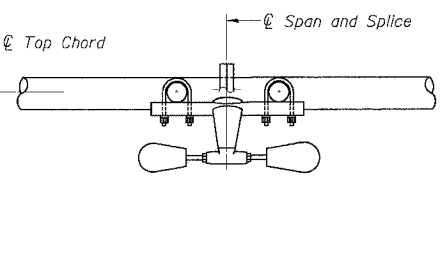
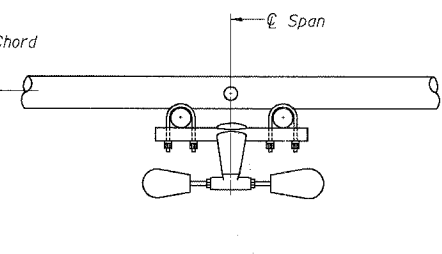
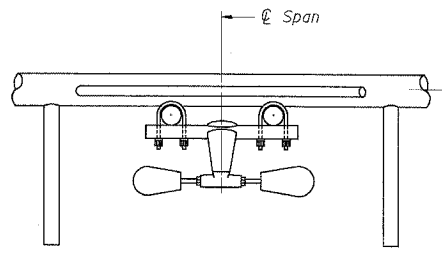


**NOTES**

Damper: One damper per truss.  
(14 Kg Stockbridge-Type Aluminum)  
Cost Included in "Overhead Sign Structure..."

Materials: Aluminum tubes shall be ASTM B221M alloy 6061 Temper T6. Cost included in "Overhead Sign Structure..."

All dimensions are in millimeters (mm) except as noted



BAJZEK.J  
 01/11/2002 11/1/2002  
 13 14 15 16 17 18 19 20 21 22 23 24 25 26 27 28 29 30 31 32 33 34 35 36 37 38 39 40 41 42 43 44 45 46 47 48 49 50 51 52 53 54 55 56 57 58 59 60 61 62 63  
 I:\DOCUMENTS\18975\CONSTRUCT\DDM\MST0072A.DGN  
 T:\MSITR02A.DGN...AB99002A.DGN  
 7-12-2005, 10:23:48  
 1 2 3 4 5 6 7 8 9 10 11 12 13 14 15 16 17 18 19 20 21 22 23 24 25 26 27 28 29 30 31 32 33 34 35 36 37 38 39 40 41 42 43 44 45 46 47 48 49 50 51 52 53 54 55 56 57 58 59 60 61 62 63

OS-A-DM 11/1/2002

REVISIONS	
NAME	DATE

ILLINOIS DEPARTMENT OF TRANSPORTATION  
F.A.I. ROUTE 80/94 (KINGERY EXPRESSWAY)  
EB & WB INSIDE LANES (MAINLINE) CONSTRUCTION  
COOK COUNTY

**OVERHEAD SIGN STRUCTURES DAMPING DEVICE**

SCALE: DATE: 7/18/2005

DRAWN BY: NK  
CHECKED BY: VCP

**TENG**  
ENGINEERS/ARCHITECTS/PLANNERS  
CHICAGO, ILLINOIS