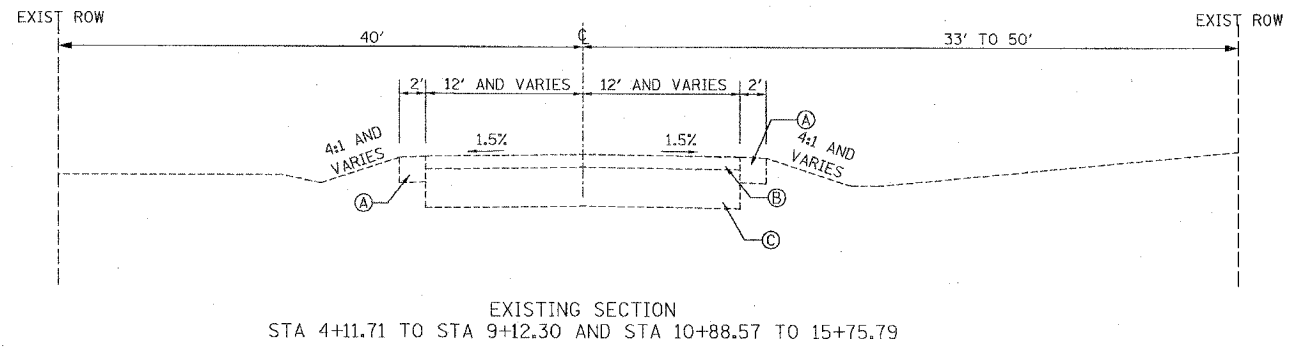
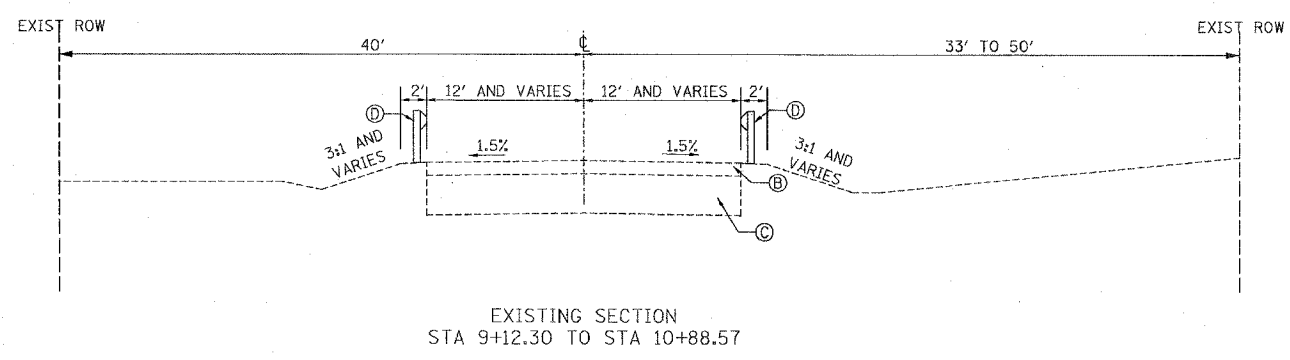


F.A.U. RTE.	SECTION	COUNTY	TOTAL SHEETS	SHEET NO.
1602	74 B-1	COOK	34	4
STA. 4+57.50		TO STA.15+30		
FED. ROAD DIST. NO.	ILLINOIS	FED. AID PROJECT		
CONTRACT NO. 62418				



LEGEND - EXISTING

- (A) AGGREGATE SHOULDER, 6"
- (B) BITUMINOUS SURFACE COURSE, 3"
- (C) AGGREGATE BASE COURSE, 9"
- (D) GUARDRAIL



8/30/2006 H:\1007BRI.DGN\124062\DESIGN\GN\GN\1\1\8\04\EXISTING TYPICAL.DGN

RHA&A
 Robert H. Anderson & Associates, Inc.
 Consulting Engineers
 Timbers Professional Center
 220 West River Drive, St. Charles, IL 60174
 Phone - 630.584.3530 Fax - 630.584.3047

REVISIONS	
NAME	DATE

ILLINOIS DEPARTMENT OF TRANSPORTATION
 147th STREET OVER BOCA RIO DITCH
 F.A.U. 1602, SECTION 74 B-1
 COOK COUNTY

EXISTING TYPICAL SECTIONS

SCALE: VERT. NOT TO SCALE
 HORIZ. DATE: AUGUST 2006

DRAWN BY: TC
 CHECKED BY: KMA