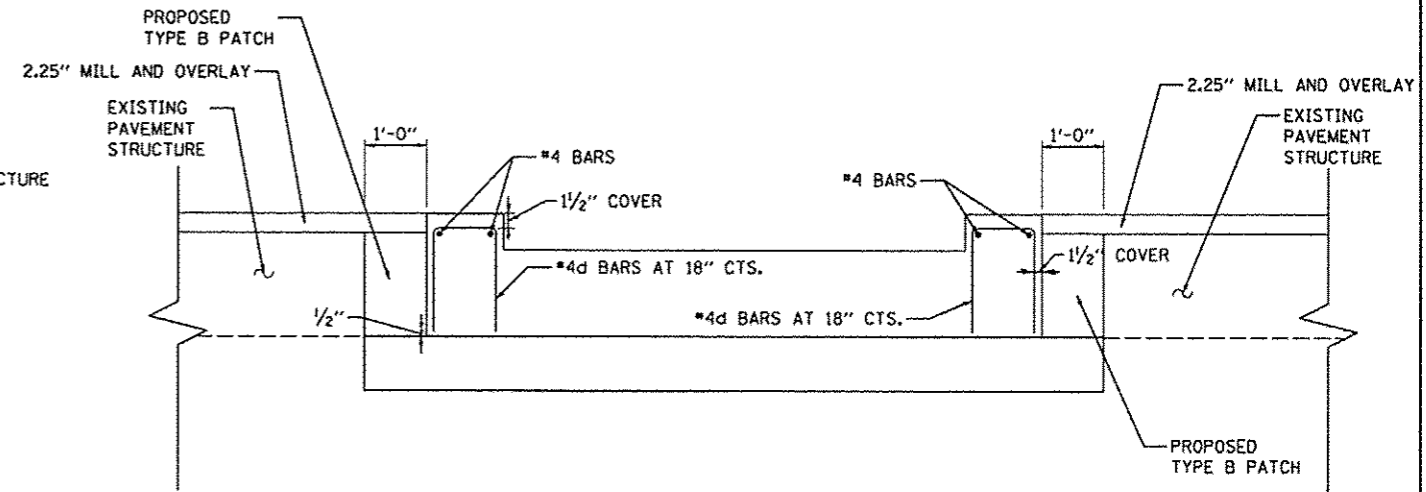
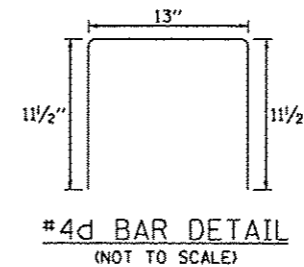


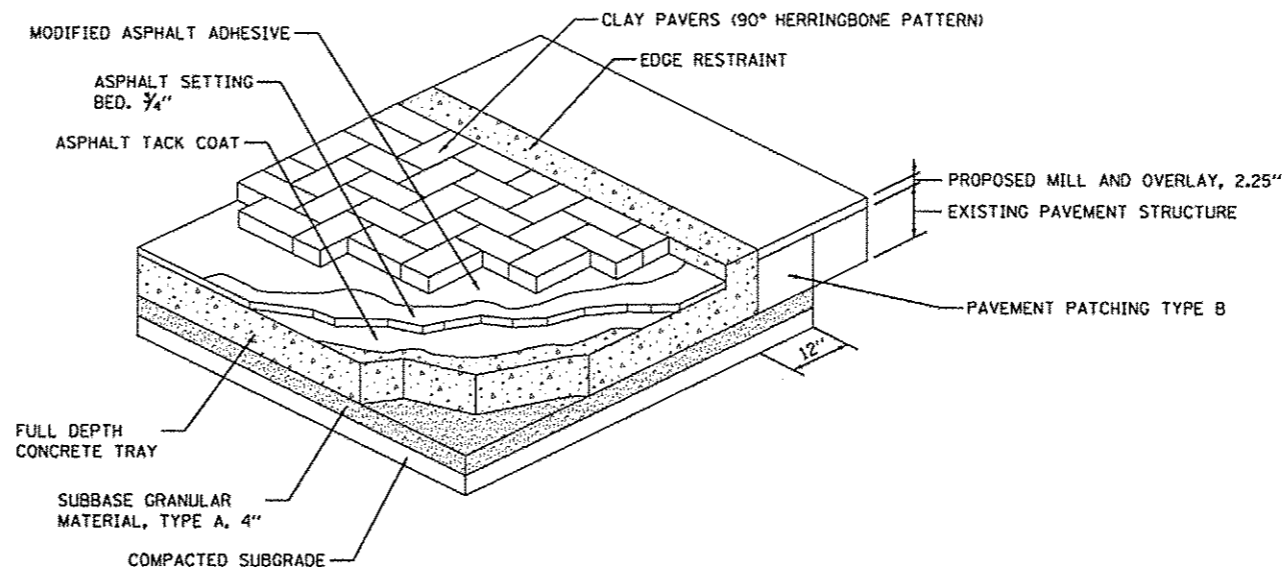
**CROSSWALK PAVER DETAIL**  
(NOT TO SCALE)



**CROSSWALK REINFORCEMENT DETAIL**  
(NOT TO SCALE)



- NOTES:**
1. ALL BARS SHALL BE EPOXY COATED
  2. SEE SPECIFICATIONS FOR INFORMATION ON SIZE, COLOR, STYLE, AND FINISH OF PAVERS ALONG WITH CONSTRUCTION PROCEDURES.



**CROSSWALK SECTION DETAIL**  
(NOT TO SCALE)



|   |                              |                |           |   |                                |   |         |              |              |           |
|---|------------------------------|----------------|-----------|---|--------------------------------|---|---------|--------------|--------------|-----------|
| FILE NAME =                             | USER NAME = mansk01390       | DESIGNED - DLC | REVISED - | <b>STATE OF ILLINOIS<br/>DEPARTMENT OF TRANSPORTATION</b> | <b>PAVER CROSSWALK DETAILS</b> | F.A.U. RTE.                             | SECTION | COUNTY       | TOTAL SHEETS | SHEET NO. |
| or\pwise_work\do_not_delete\dm573308\04 | XL0155-ah-t-detail.dgn       | DRAWN - RLA    | REVISED - |   |                                | 12-00356-01-PV                          | PEORIA  | 519          | 386          |           |
|   | PLOT SCALE = 10.0000 1/1 in. | CHECKED - MGD  | REVISED - |   |                                | CONTRACT NO. 89626                      |         |              |              |           |
|   | PLOT DATE = 07/23/2012       | DATE - 7/18/12 | REVISED - |   |                                | ILLINOIS FED. AID PROJECT TIG-5033(150) |         |              |              |           |
| SCALE: N.T.S.                           |                              |                |           |   |                                | SHEET NO. OF SHEETS                     |         | STA. TO STA. |              |           |