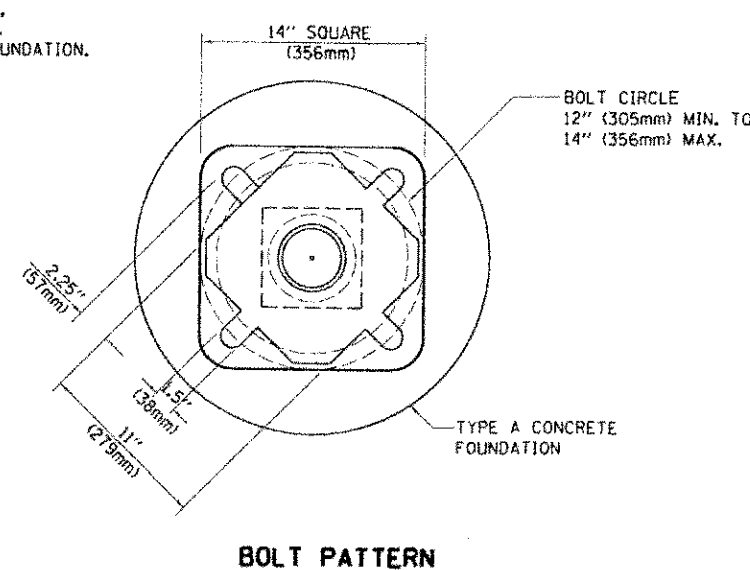


SIGN TABLE

SIGN	DIMENSIONS
R10-3b	9" (228mm) X 12" (305mm)
R10-3d	9" (228mm) X 12" (305mm)
R10-3e	9" (228mm) X 15" (381mm)



FILE NAME =	USER NAME = drivekacogn	DESIGNED - DAG	REVISED -
CONV WORK\p10\dr\drivekacogn\08190315\p10.dgn		DRAWN - GND	REVISED -
PLOT SCALE = 1/8"=1'-0"		CHECKED - DAD	REVISED -
PLOT DATE = 10/1/2012		DATE - 10/1/2012	REVISED -

STATE OF ILLINOIS
DEPARTMENT OF TRANSPORTATION

DISTRICT 1
PEDESTRIAN PUSH BUTTON POST, TYPE A

SCALE: NONE SHEET NO. 1 OF 1 SHEETS STA. TO STA.

P.A. RTE.	SECTION	COUNTY	TOTAL SHEET NO.
0559	00-00078-00-CH	COOK	116 88A
TS-09			CONTRACT NO. 83735
FED. ROAD DIST. NO. 1 ILLINOIS FED. AID PROJECT			