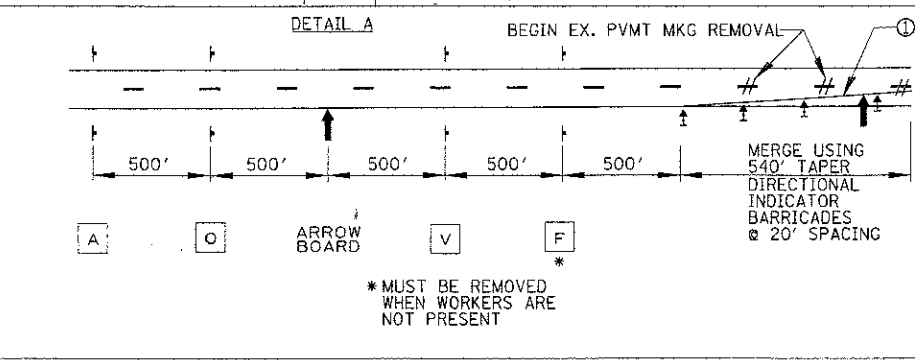
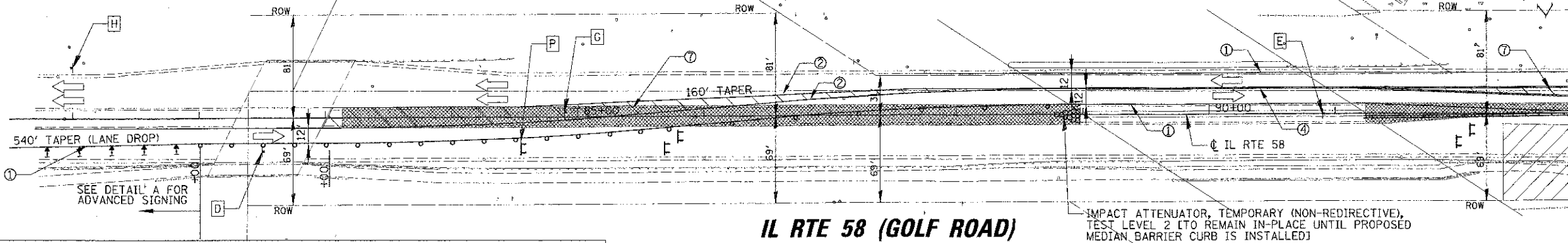


JANE ADDAMS
MEMORIAL TOLLWAY
I-90

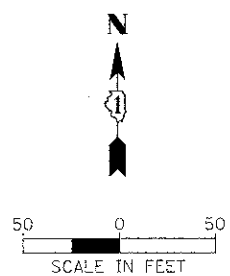
SALT CREEK



IL RTE 58 (GOLF ROAD)

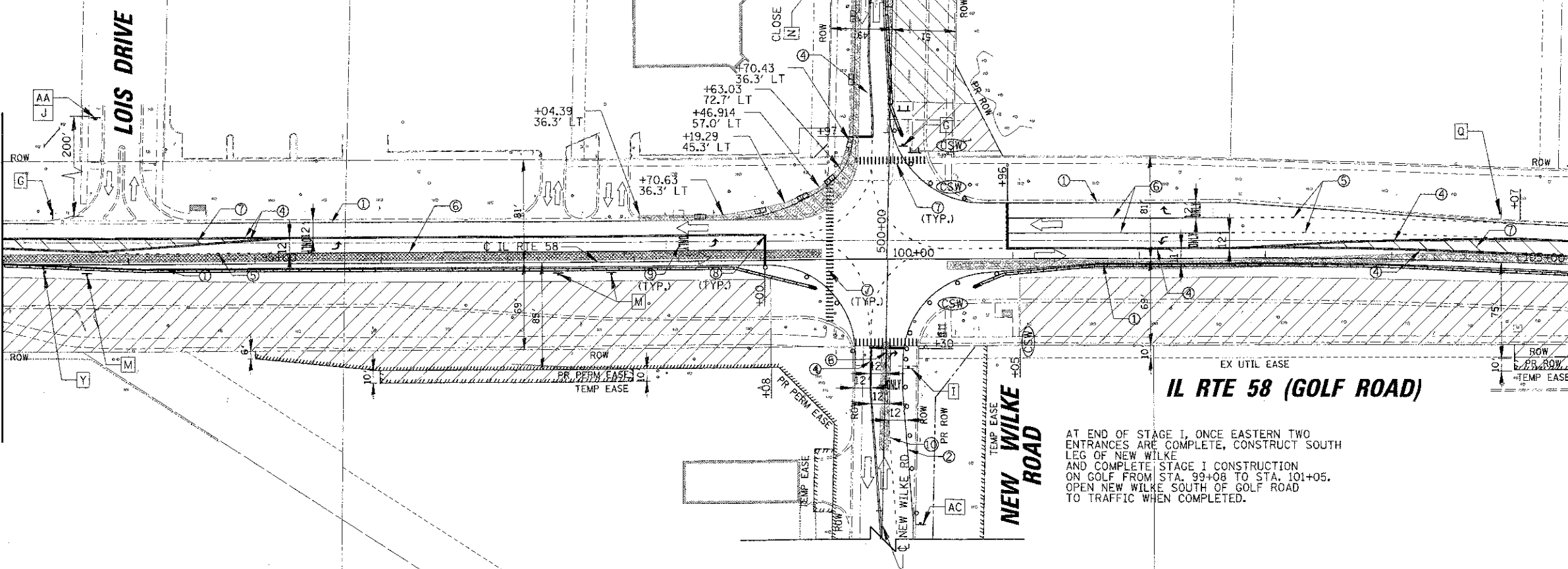
IMPACT ATTENUATOR, TEMPORARY (NON-REDIRECTIVE), TEST LEVEL 2 (TO REMAIN IN-PLACE UNTIL PROPOSED MEDIAN BARRIER CURB IS INSTALLED)

MATCH LINE STA. 93+00

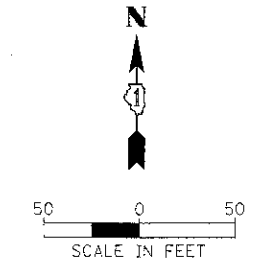


- LEGEND:**
- ① TEMPORARY PAVEMENT MARKING - LINE 4" (WHITE) *
 - ② TEMPORARY PAVEMENT MARKING - LINE 4" (YELLOW) *
 - ③ TEMPORARY PAVEMENT MARKING - LINE 4" (WHITE SKIP-DASH 30'-10') *
 - ④ TEMPORARY PAVEMENT MARKING - LINE 4" (DOUBLE YELLOW @ 11" C-C) *
 - ⑤ TEMPORARY PAVEMENT MARKING - LINE 6" (WHITE SKIP-DASH 6'-2') *
 - ⑥ TEMPORARY PAVEMENT MARKING - LINE 6" (WHITE) *
 - ⑦ TEMPORARY PAVEMENT MARKING - LINE 12" (YELLOW DIAGONALS @ 20' C-C)
 - ⑧ TEMPORARY PAVEMENT MARKING - LINE 24" (WHITE)
 - ⑨ TEMPORARY PAVEMENT MARKING - LETTERS AND SYMBOLS (WHITE)
 - ⑩ TEMPORARY PAVEMENT MARKING - LINE 6" (WHITE SKIP-DASH 9'-3') *
- * WITH TEMP RAIS REF PVT MKR
- SEE MOT SIGN LEGEND, SHEET 35.

MATCH LINE STA. 93+00



MATCH LINE STA. 105+50



NOTE:
SUB-STAGES WILL BE NEEDED TO MAINTAIN TRAFFIC PER SUGGESTED MAINTENANCE OF TRAFFIC NOTES AND AS DIRECTED BY ENGINEER. THIS WORK MAY INCLUDE ADDITIONAL TEMPORARY PAVEMENT, TEMPORARY TURN LANE CLOSURES (INTO CLOSED DRIVES), TEMPORARY TRAFFIC SIGNAL HEAD ADJUSTMENTS, TEMP BAR WALL, TEMPORARY PAVEMENT MARKINGS, BARRICADES AND SIGNING.

- LEGEND:**
- WORK ZONE
 - TEMPORARY PAVEMENT
 - DRUM W/STEADY BURN LIGHT
 - BI-DIRECTIONAL (MONO-DIR. STG III)
 - DOUBLE VERTICAL PANEL W/STEADY BURN BI-DIRECTIONAL LIGHT
 - IMPACT ATTENUATOR, TEMPORARY (NON-REDIRECTIVE) TEST LEVEL 2
 - TEMPORARY BARRIER WALL
 - TYPE II DIRECTIONAL BARRICADE W/STEADY BURN MONO-DIR LIGHT
 - TYPE III BARRICADE W/TWO FLASHING LIGHTS
 - WORK ZONE SIGN
 - TRAFFIC FLOW
 - ARROW BOARD
 - CLOSE SIDEWALK USING STD. 701801
 - MUST BE REMOVED WHEN WORKERS ARE NOT PRESENT

AT END OF STAGE I, ONCE EASTERN TWO ENTRANCES ARE COMPLETE, CONSTRUCT SOUTH LEG OF NEW WILKE AND COMPLETE STAGE I CONSTRUCTION ON GOLF FROM STA. 99+08 TO STA. 101+05. OPEN NEW WILKE SOUTH OF GOLF ROAD TO TRAFFIC WHEN COMPLETED.

STATE OF ILLINOIS
DEPARTMENT OF TRANSPORTATION

IL RTE 58 (GOLF ROAD) AND NEW WILKE ROAD IMPROVEMENTS
SUGGESTED MAINTENANCE OF TRAFFIC - STAGE I
IL RTE 58 (GOLF ROAD)

FILE NAME	JSEPR NAME = mvdorador	DESIGNED - BLL	REVISED -
REVISED -		DRAWN - PMM	REVISED -
		CHECKED - JGS	REVISED -
		DATE - 8/06/12	REVISED -

PLLOT SCALE = 50'	
PLLOT DATE = 12/14/2012	

SCALE: 50'	SHEET NO. 1 OF 6 SHEETS	STA. 83+49.63 TO STA. 105+50	F.A.P. RTE. 0559	SECTION 00-00078-00-CH	COUNTY COOK	TOTAL SHEETS NO. 116	SHEET NO. 38
						CONTRACT NO. 83735	
						FED. ROAD DIST. NO. ILLINOIS FED. AID PROJECT	