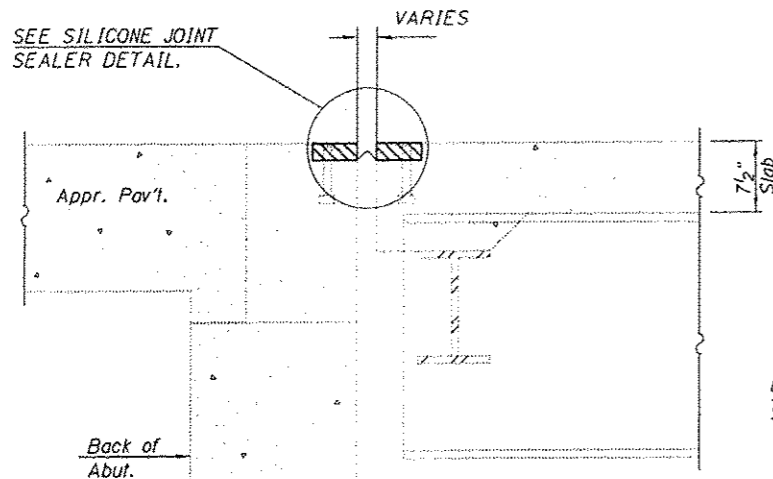


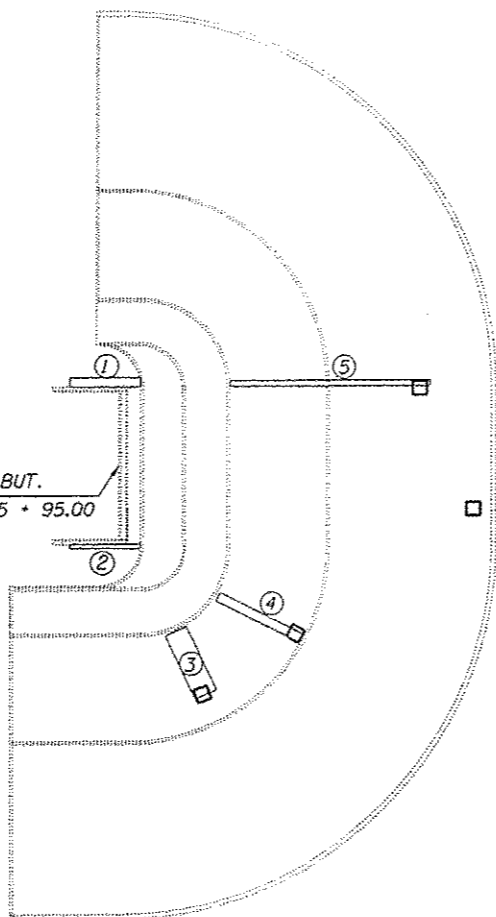
SEE SILICONE JOINT SEALER DETAIL.



SECTION THRU EXISTING NEOPRENE JOINT ABUTMENTS

NOTES: The cost of removing the existing neoprene planks and membrane is included in the cost of Polymer Concrete.

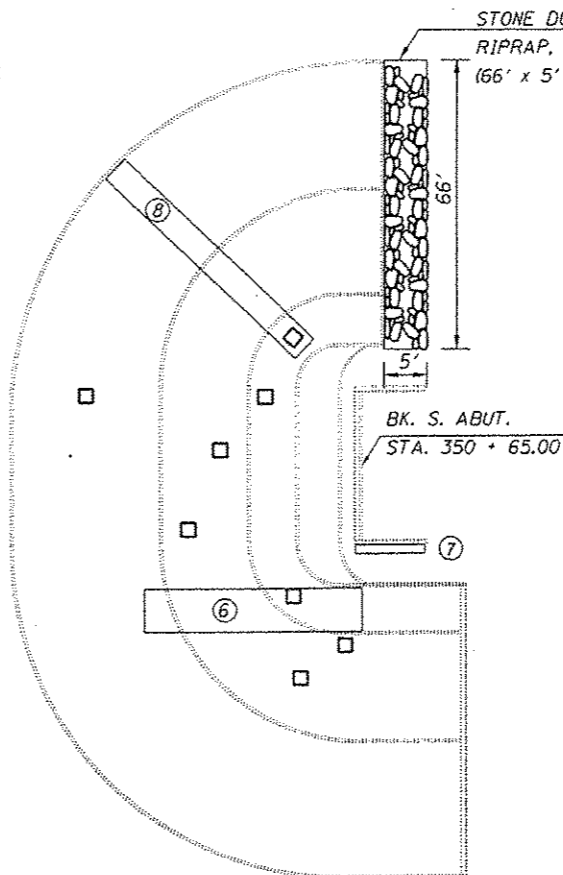
BK. N. ABUT.
STA. 345 + 95.00



PLAN SLOPEWALL

- SLOPEWALL REPAIR, Existing ±3' X ±3' Openings
- SLOPEWALL SLURRY PUMPING

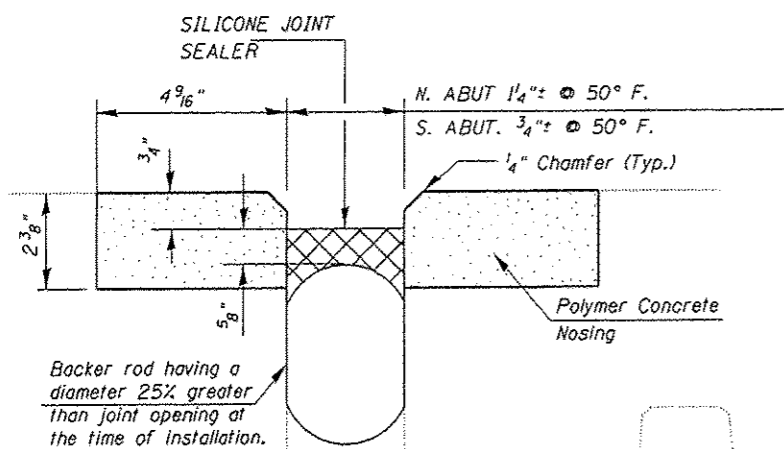
STONE DUMPED RIPRAP, CLASS A4 (66' x 5' x 1'-6")



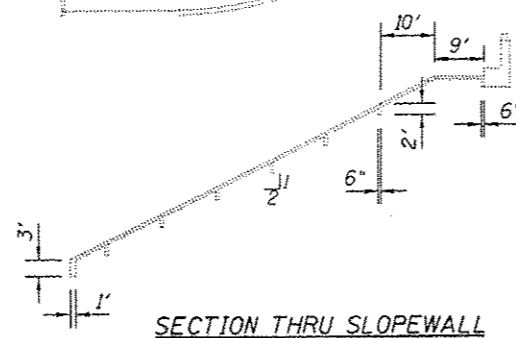
NOTES: Voids beneath the existing concrete slopewalls shall be filled with Controlled Low Strength Material (CLSM) in accordance with the special provision "Slopewall Slurry Pumping", and as directed by the Engineer. Existing dislodged concrete slopewall may be broken and used to partially fill voids before CLSM is placed. Existing slopewall openings were made for preliminary inspection. Additional sawed openings may be required. The cost of any new opening is included in the cost of Slopewall Slurry Pumping.

After the Controlled Low Strength Material has set, the slopewall shall be cast in accordance with Section 511 of the Standard Specifications. Slopewall repair areas shall be rectangular in shape. The cost of welded wire fabric, dowel bars, supports, saw cuts, and all labor, equipment, and material for slope wall repair are included in the cost of the Slopewall Repair measured in place in square yards.

The locations and quantities of Slopewall Slurry Pumping and Slopewall Repair are based on field survey at the time of plan preparation. The exact locations and actual quantities will be determined in the field by the Engineer. The Contractor will be paid for the actual quantity at the contract unit price bid for the item.



SILICONE JOINT SEALER ABUTMENTS

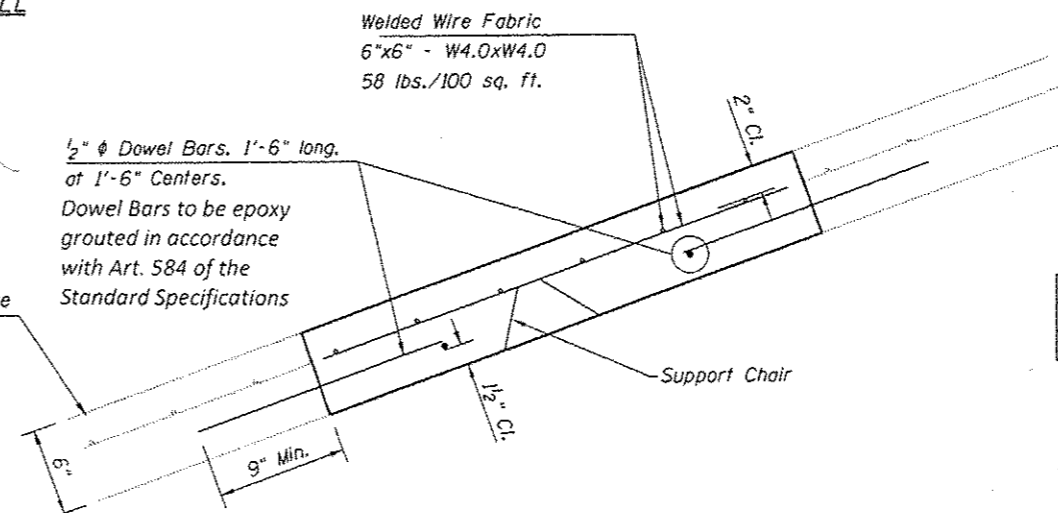


SECTION THRU SLOPEWALL (AS SHOWN IN ORIGINAL CONSTRUCTION PLANS)

Welded Wire Fabric
6"x6" - W4.0xW4.0
58 lbs./100 sq. ft.

1/2" φ Dowel Bars, 1'-6" long, at 1'-6" Centers.
Dowel Bars to be epoxy grouted in accordance with Art. 584 of the Standard Specifications

Existing Concrete Slopewall



SLOPEWALL REPAIR DETAIL

SLOPEWALL SLURRY PUMPING

LOCATION	VOLUME (CU. YD.)
1	3
2	3
3	5
4	2
5	2
6	38
7	2
8	15
TOTAL	70

SILICONE JOINT BILL OF MATERIAL

SILICONE JOINT SEALER	FOOT	66
POLYMER CONCRETE	CU. FT.	10

SLOPEWALL BILL OF MATERIAL

SLOPEWALL REPAIR	SQ. YD.	12
STONE DUMPED RIPRAP, CLASS A4	TON	28
SLOPEWALL SLURRY PUMPING	CU. YD.	70

TYPICAL END OF SEAL TREATMENT WHEN REPLACING NEOPRENE JOINT