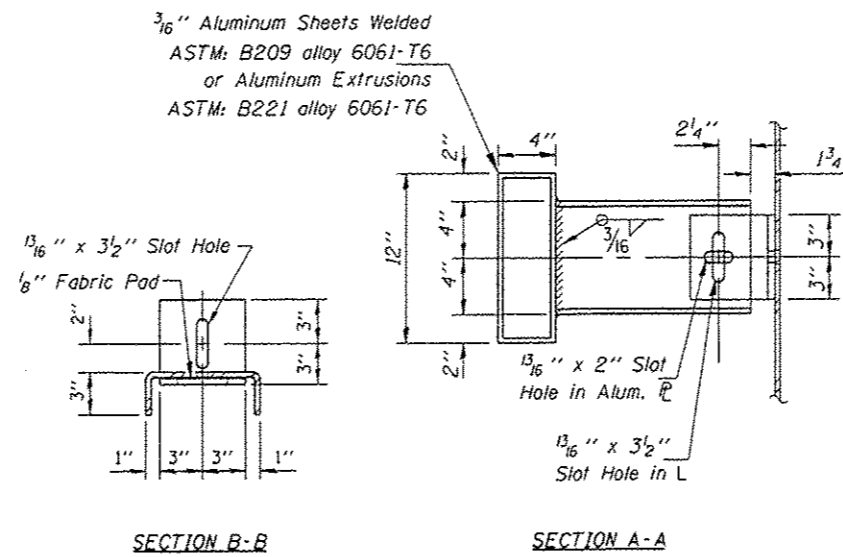


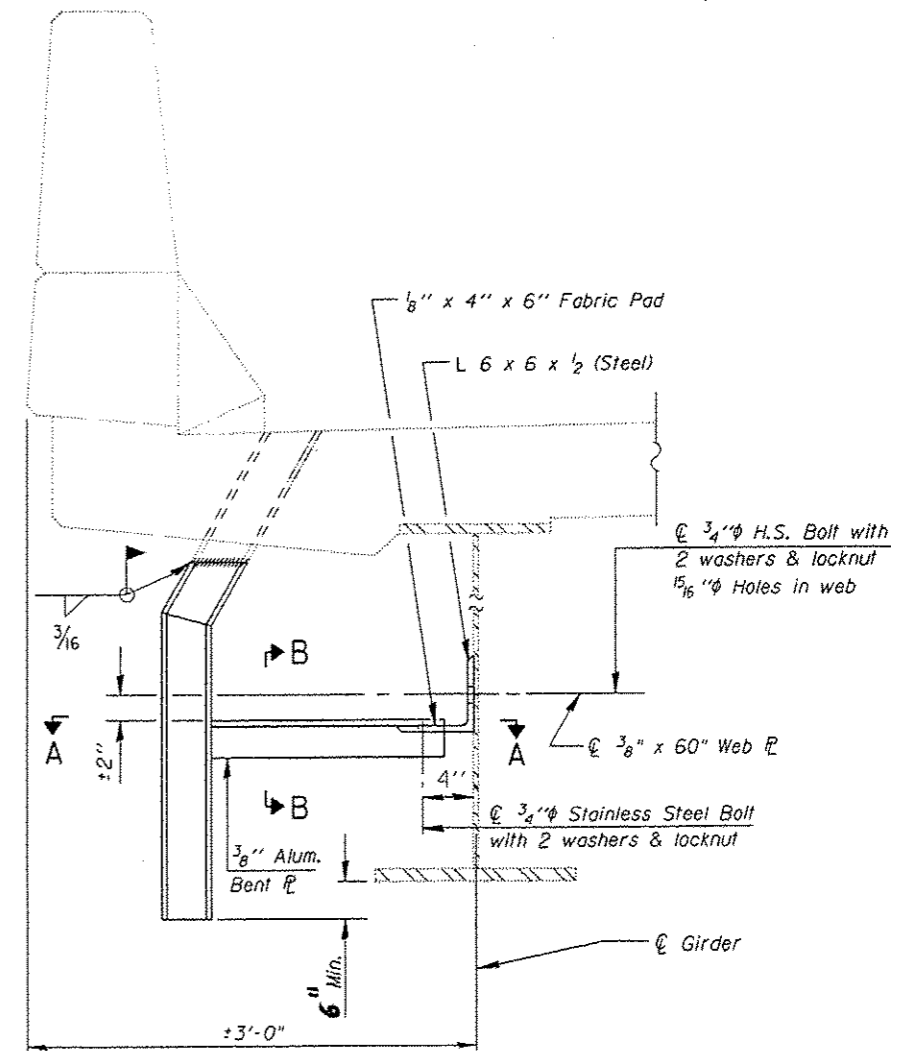
**SECTION AT DRAIN  
86 LOCATIONS**

Locations shown on Sheet 10 OF 14.



**FLOOR DRAIN EXTENSION DETAIL  
66 LOCATIONS**

Locations shown on Sheet 10 OF 14.



**BILL OF MATERIAL**

ITEM	UNIT	QUANTITY
FLOOR DRAIN EXTENSION	EACH	66
PLUG EXISTING DECK DRAINS	EACH	86

FILE NAME =	USER NAME = govtnygh	DESIGNED -	REVISED -	<b>STATE OF ILLINOIS DEPARTMENT OF TRANSPORTATION</b>	<b>DRAIN ELIMINATION &amp; EXTENSION S. N. 030-0021 OVER SALINE RIVER</b>	F.A.P. RTE. =	SECTION =	COUNTY =	TOTAL SHEETS =	SHEET NO. =	
cr\pov_wpk\p\dot\govtnygh\d0253215\B3	-0020-0021-shl.dgn	DRAWN -	REVISED -			782	D9CM BRIDGE REPAIR 2012-3	GALLATIN	14	11	
	PLOT SCALE = 1/32 1/16" = 1" = 1/8"	CHECKED -	REVISED -			ILLINOIS FED. AID PROJECT					
	PLOT DATE = 6/31/2012	DATE -	REVISED -			SCALE: _____	SHEET NO. _____ OF _____ SHEETS	78253			