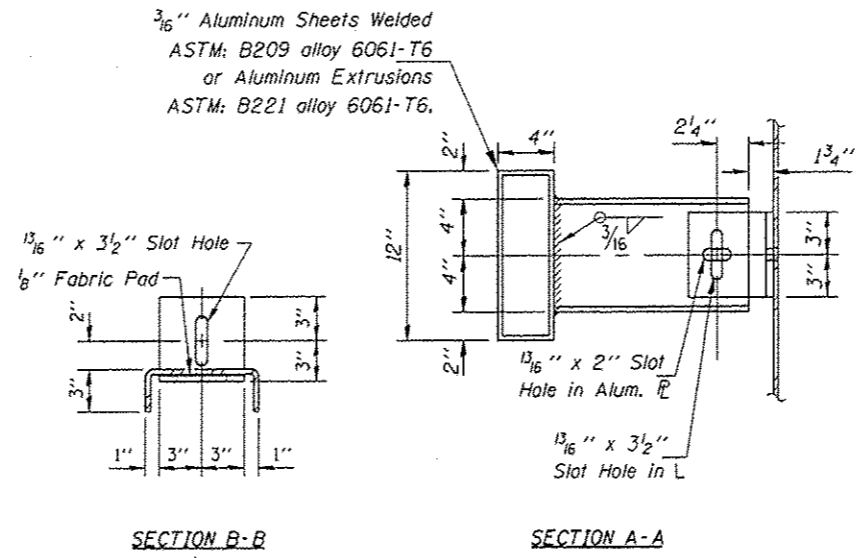


**SECTION AT DRAIN**  
2 LOCATIONS

Locations shown on Sheet 4 OF 14.

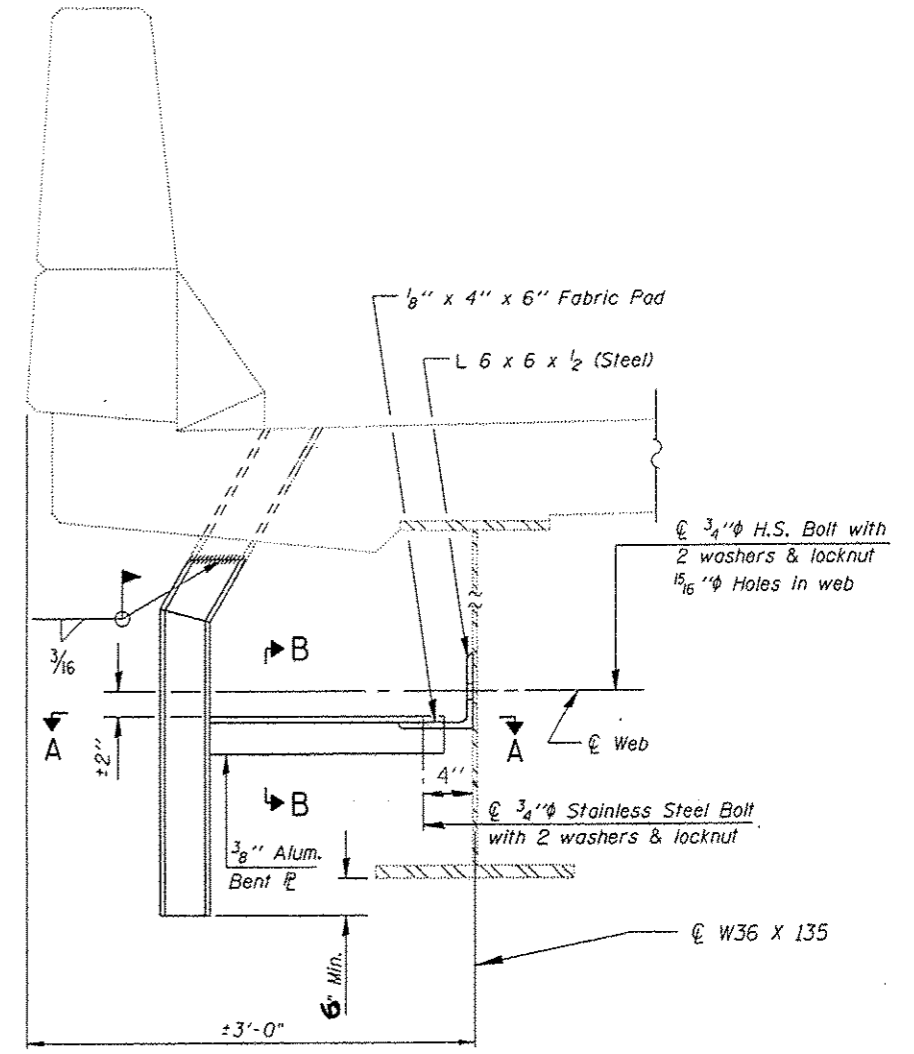


**SECTION B-B**

**SECTION A-A**

**FLOOR DRAIN EXTENSION DETAIL**  
10 LOCATIONS

Locations shown on Sheet 4 OF 14.



**BILL OF MATERIAL**

ITEM	UNIT	QUANTITY
FLOOR DRAIN EXTENSION	EA.	10
PLUG EXISTING DECK DRAINS	EA.	2