

DETAIL OF DETECTOR LOOPS

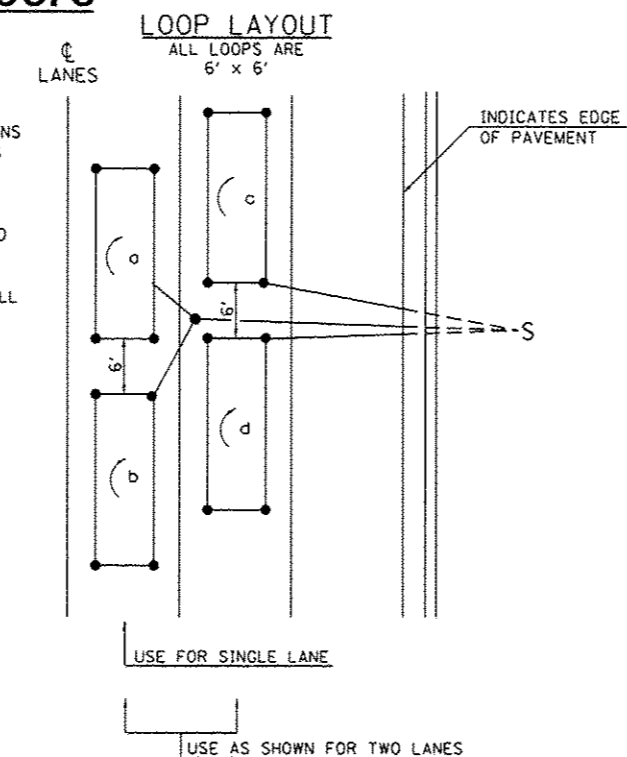
NOTES

(APPLIES TO 6' x 20' LOOPS ONLY)

1. THE DETECTOR LOOPS SHALL BE TYPE I. EACH DETECTOR LOOP SHALL HAVE 3 TURNS OF LOOP WIRE AND BE INSTALLED IN ACCORDANCE WITH THE APPLICABLE PORTIONS OF SECTION 806 OF THE STANDARD SPECIFICATIONS FOR TRAFFIC CONTROL ITEMS.
2. BEGINNING LEAD WIRES SHALL BE CONNECTED TO THE BLACK LEAD AND THE ENDING LEAD WIRES SHALL BE CONNECTED TO THE WHITE LEAD OF THE TWIN TWISTED FEED CABLES AT THE SPLICE POINT.
3. WHERE THE LOOPS ARE INSTALLED PRIOR TO RESURFACING, THE LOOP CORNERS SHALL BE DIAGONALLY CUT.

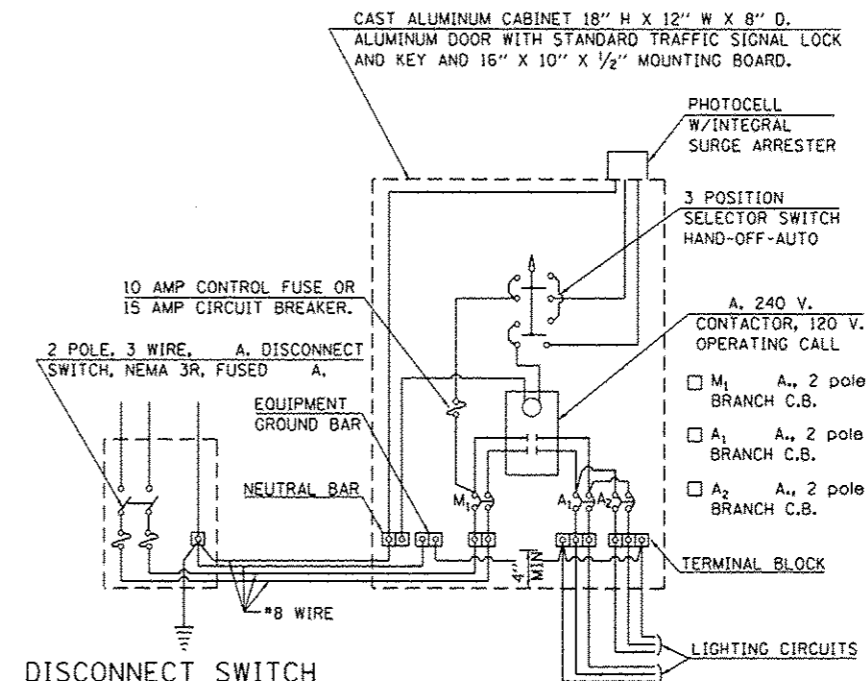
LOOP LEGEND

- () CLOCKWISE ROTATION FOR LOOP WIRES
- S INDICATES SPLICE POINT FOR DETECTOR LOOP LEAD
- INDICATES 2" CORE-DRILL



DETAIL 6' x 20' DETECTOR LOOPS

CONTROL INSTALLATION SIGNAL CABINET MOUNTED

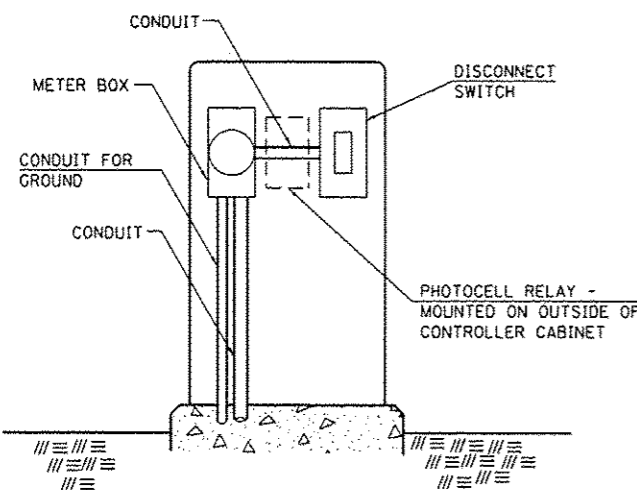


PHOTOCELL RELAY

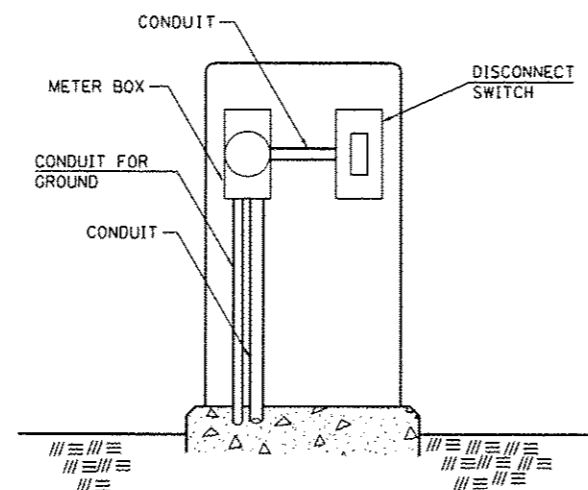
REVISIONS	
DRAWN	5-13-02
REVISED	3-25-08
REVISED	
REVISED	

STD. 9-113

SERVICE INSTALLATION DETAILS



SERVICE INSTALLATION (SPECIAL)
WITH PHOTOCELL RELAY



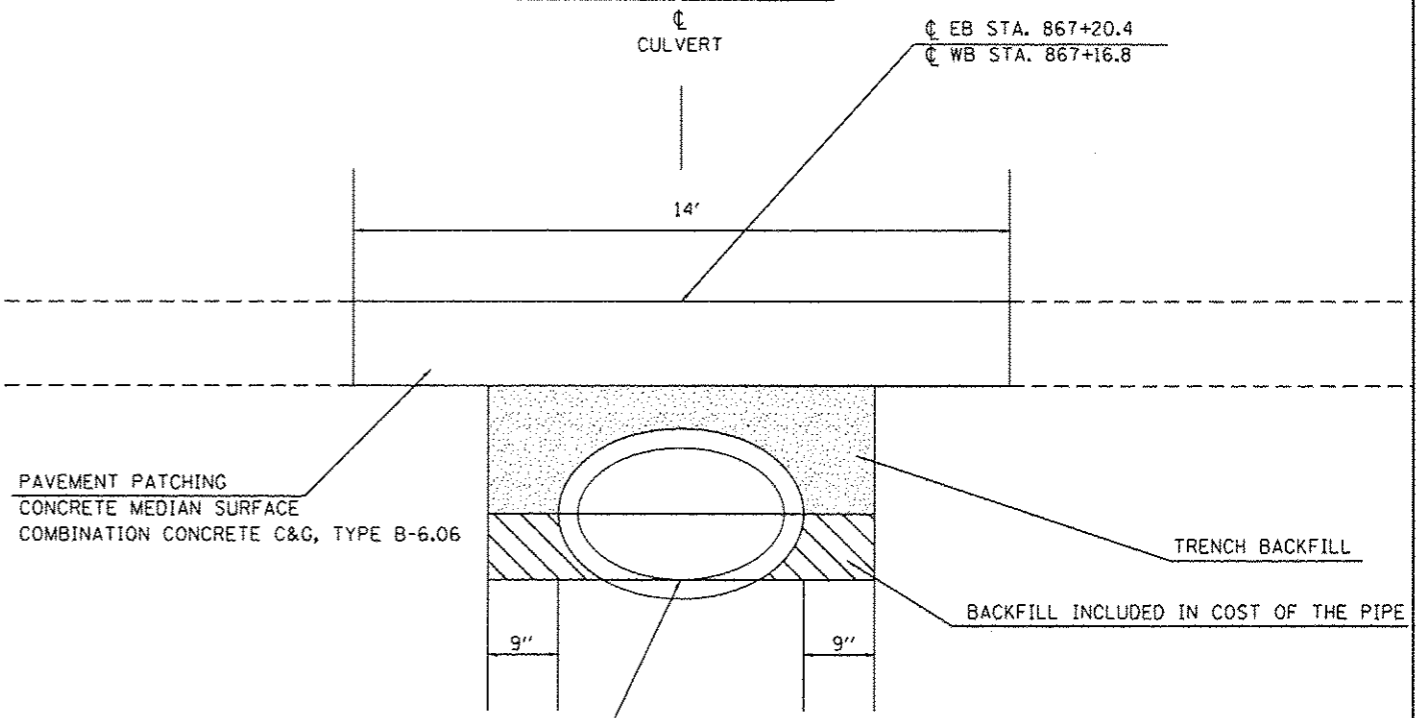
SERVICE INSTALLATION (SPECIAL)

NOTE:
MATERIAL AND SIZE OF CONDUIT AND CABLE AS REQUIRED BY UTILITY COMPANY

REVISIONS	
DRAWN	1-31-90
REVISED	2-24-92
RESIZED	5-7-08

STD. 9-68

CULVERT DETAIL



STORM SEWERS, CLASS A, TYPE 1
EQUIVALENT ROUND-SIZE 42"
(ELLIPTICAL)

FILE NAME =	USER NAME = lavenderba	DESIGNED -	REVISED -
e:\pwork\pwork\lavenderba\d01844517	203-sh1-det.dgn	DRAWN -	REVISED -
	PLOT SCALE = 1/8" = 1'	CHECKED -	REVISED -
	PLOT DATE = 9/12/2012	DATE -	REVISED -

**STATE OF ILLINOIS
DEPARTMENT OF TRANSPORTATION**

**DETAILS: DETECTOR LOOPS, SERVICE INSTALLATION, CONTROL
INSTALLATION SIGNAL CABINET MOUNTED, CULVERT DETAIL**

F.A.P. RTE.	SECTION	COUNTY	TOTAL SHEETS	SHEET NO.
331	(1X-11R-5,RS-3,N-5,TS-4	WILLIAMSON	288	152
CONTRACT NO. 78203			ILLINOIS FED. AID PROJECT	

SCALE: SHEET NO. OF SHEETS STA. TO STA.