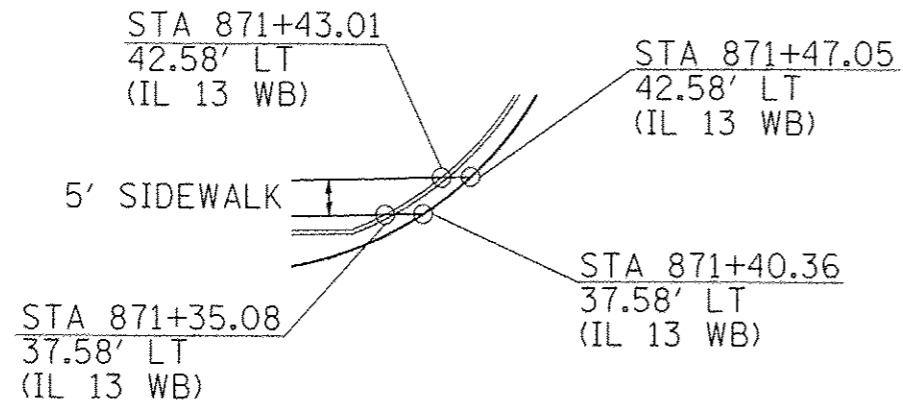
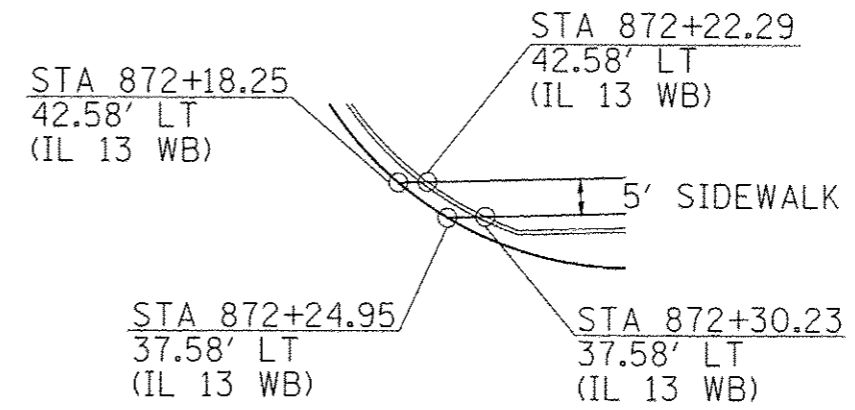


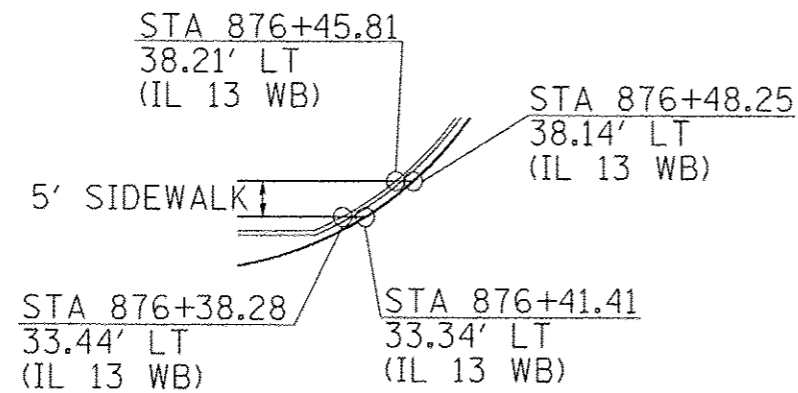
NORTHWEST QUADRANT OF BENTLEY ST.



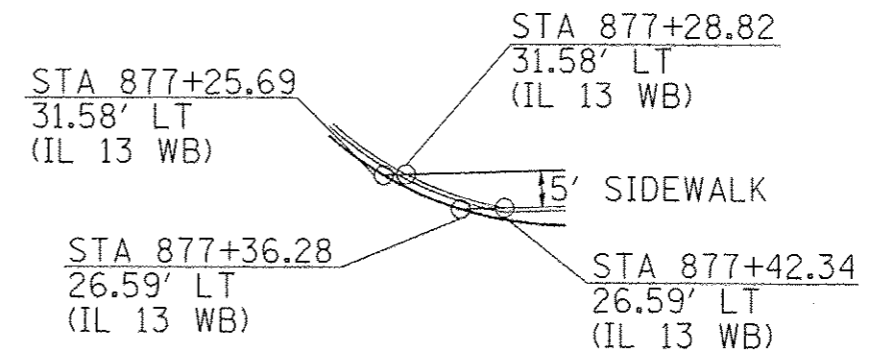
NORTHEAST QUADRANT OF BENTLEY ST.



NORTHWEST QUADRANT OF DUFOUR ST.



NORTHEAST QUADRANT OF DUFOUR ST.



FILE NAME :	USER NAME : #USER#	DESIGNED -	REVISED -	STATE OF ILLINOIS DEPARTMENT OF TRANSPORTATION	SIDEWALK DETAILS			F.A.P. RTE.	SECTION	COUNTY	TOTAL SHEETS	SHEET NO.
c:\pwworkspace\dot\kell\hghd\20104451\78203\shs\const.dgn		DRAWN -	REVISED -		331	(IX-1)R-5,RS-3,N-5,TS-4	WILLIAMSON	288	142			
PLOT SCALE * 40.0000 * / in.		CHECKED -	REVISED -		CONTRACT NO. 78203							
PLOT DATE * 5/11/2012		DATE -	REVISED -		SCALE:	SHEET NO. OF SHEETS	STA. TO STA.	ILLINOIS FED. AID PROJECT				