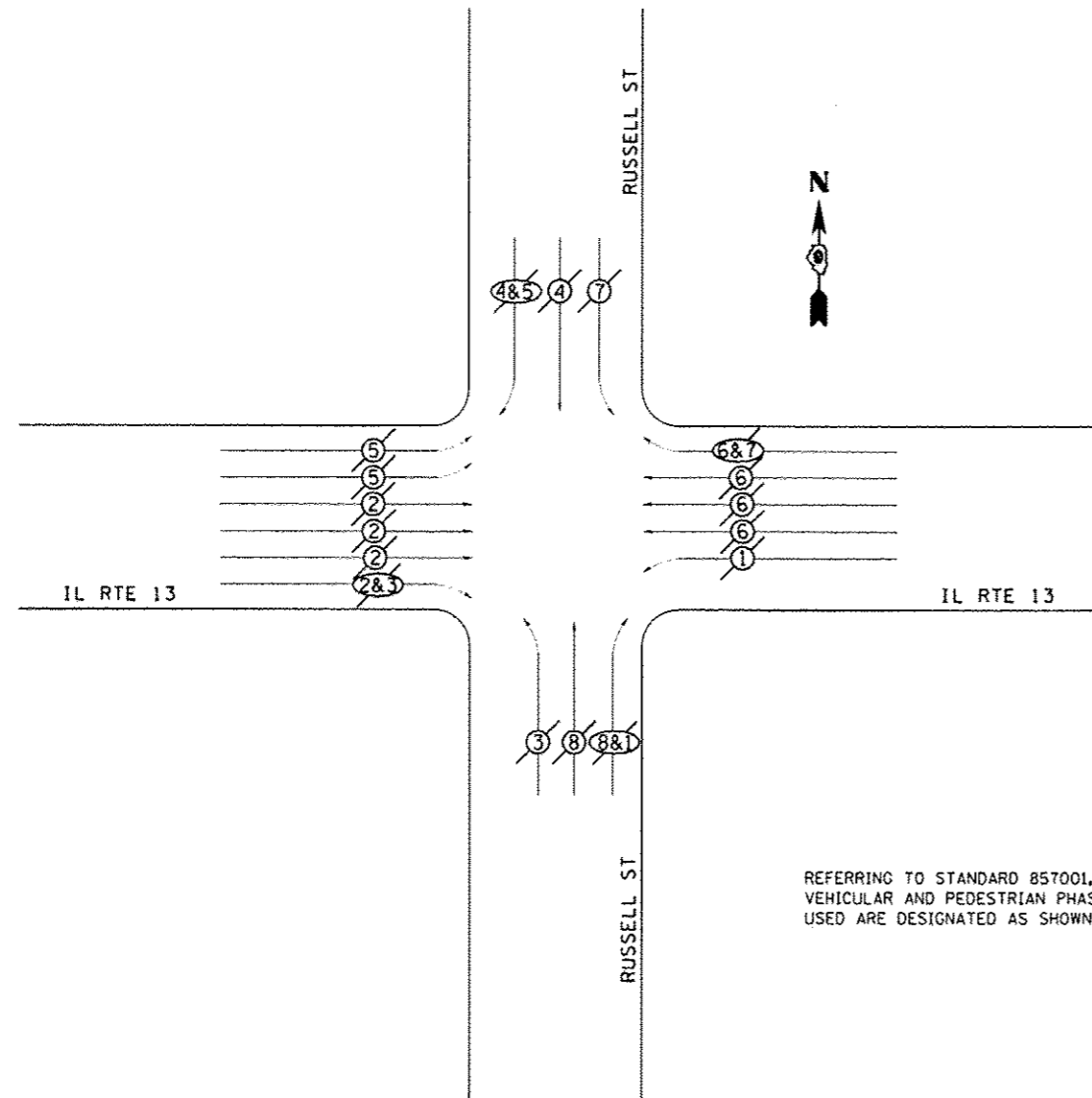


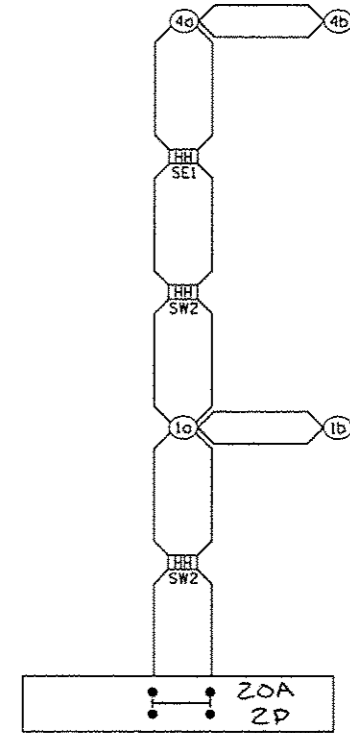
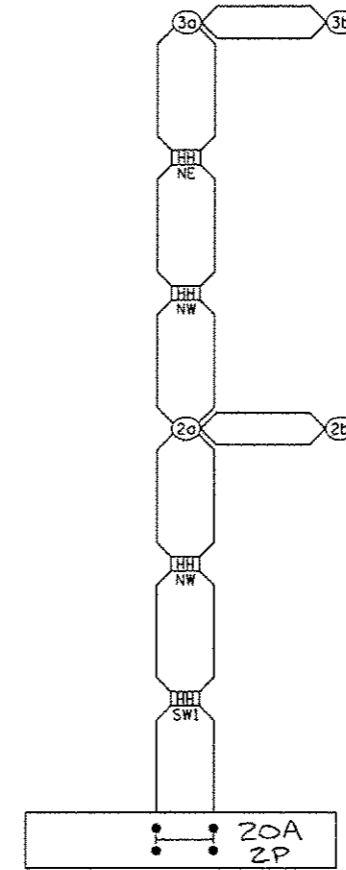
**PHASE DESIGNATION DIAGRAM
IL RTE 13 WITH RUSSELL ST**



REFERRING TO STANDARD 857001, THE VEHICULAR AND PEDESTRIAN PHASES USED ARE DESIGNATED AS SHOWN.

LEGEND

- VEHICULAR MOVEMENT
- PEDESTRIAN MOVEMENT
- ♦ NUMBER REFERS TO ASSOCIATED PHASE



- SW1 SOUTHWEST CORNER
STA 859+46.50 89.7' RT (IL 13 EB)
- SW2 SOUTHWEST CORNER
STA 8+81 53.9' LT (RUSSELL ST)
- NW NORTHWEST CORNER
STA 859+50, 55.0' LT (IL 13 WB)
- NE NORTHEAST CORNER
STA 861+11 49' LT (IL 13 WB)
- SE1 SOUTHEAST CORNER
STA 860+88 73.4' RT (IL 13 EB)

PROPOSED CONTROL INSTALLATION
PHOTOCELL RELAY
20 AMP - 240 VOLT

FILE NAME : c:\pwwork\pwwork\kellay\kellay\0445117920\raht-taug.dgn	USER NAME : *USER*	DESIGNED -	REVISED -
		DRAWN -	REVISED -
		CHECKED -	REVISED -
		DATE -	REVISED -

**STATE OF ILLINOIS
DEPARTMENT OF TRANSPORTATION**

PHASE DESIGNATION DIAGRAM - RUSSELL ST.		F.A. RTE.	SECTION	COUNTY	TOTAL SHEETS	SHEET NO.
		331	(1X-1JR-5,RS-3,N-5,TS-4	WILLIAMSON	288	135
SCALE:		SHEET NO.	OF SHEETS	STA.	TO STA.	

F.A. RTE.	SECTION	COUNTY	TOTAL SHEETS	SHEET NO.
331	(1X-1JR-5,RS-3,N-5,TS-4	WILLIAMSON	288	135
CONTRACT NO. 78203				
ILLINOIS FED. AID PROJECT				